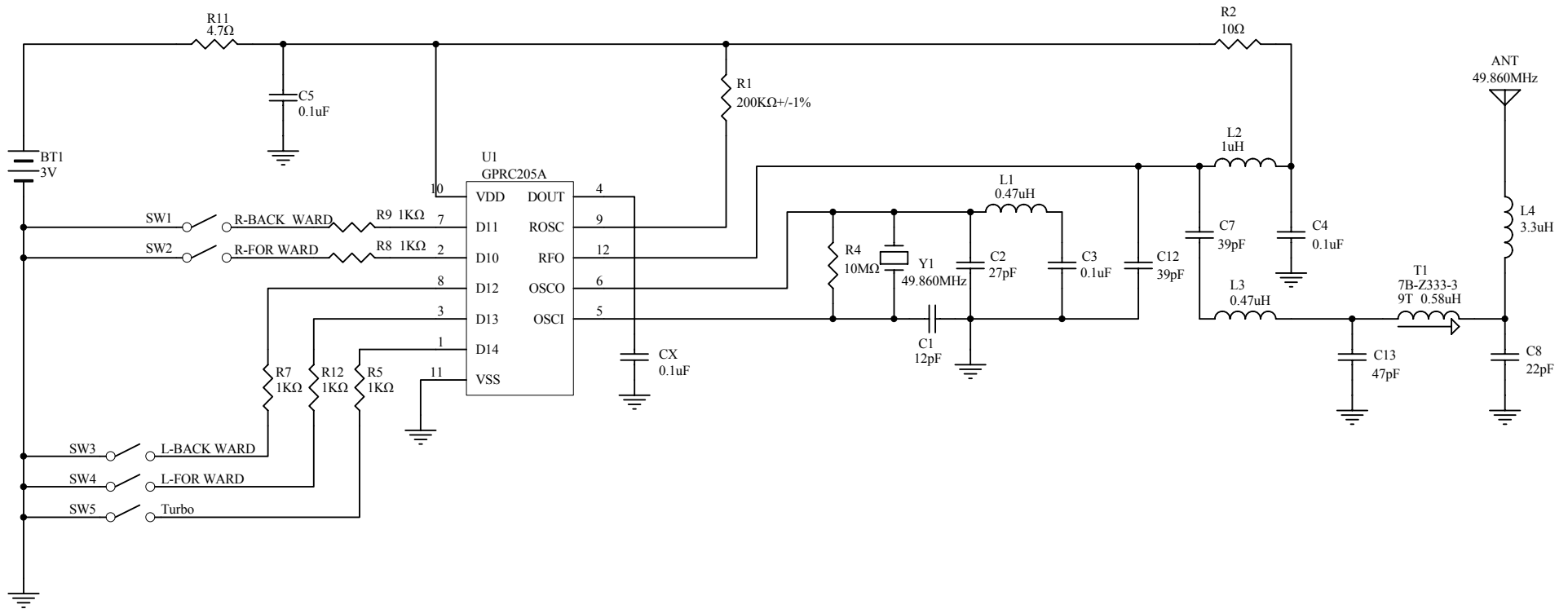


TRANSMITTER SCHEMATIC DIAGRAM



METTEL

2008-01-15

Title			
Swamp Raider			
Size	Number	Revision	
A4	N1928 US 49MHZ-TX	01	
Date:	15-Jan-2008	Sheet of	
File:	\\Hbpc36\111\SCH\M0677 TX 49M.DDB	Drawn By:	