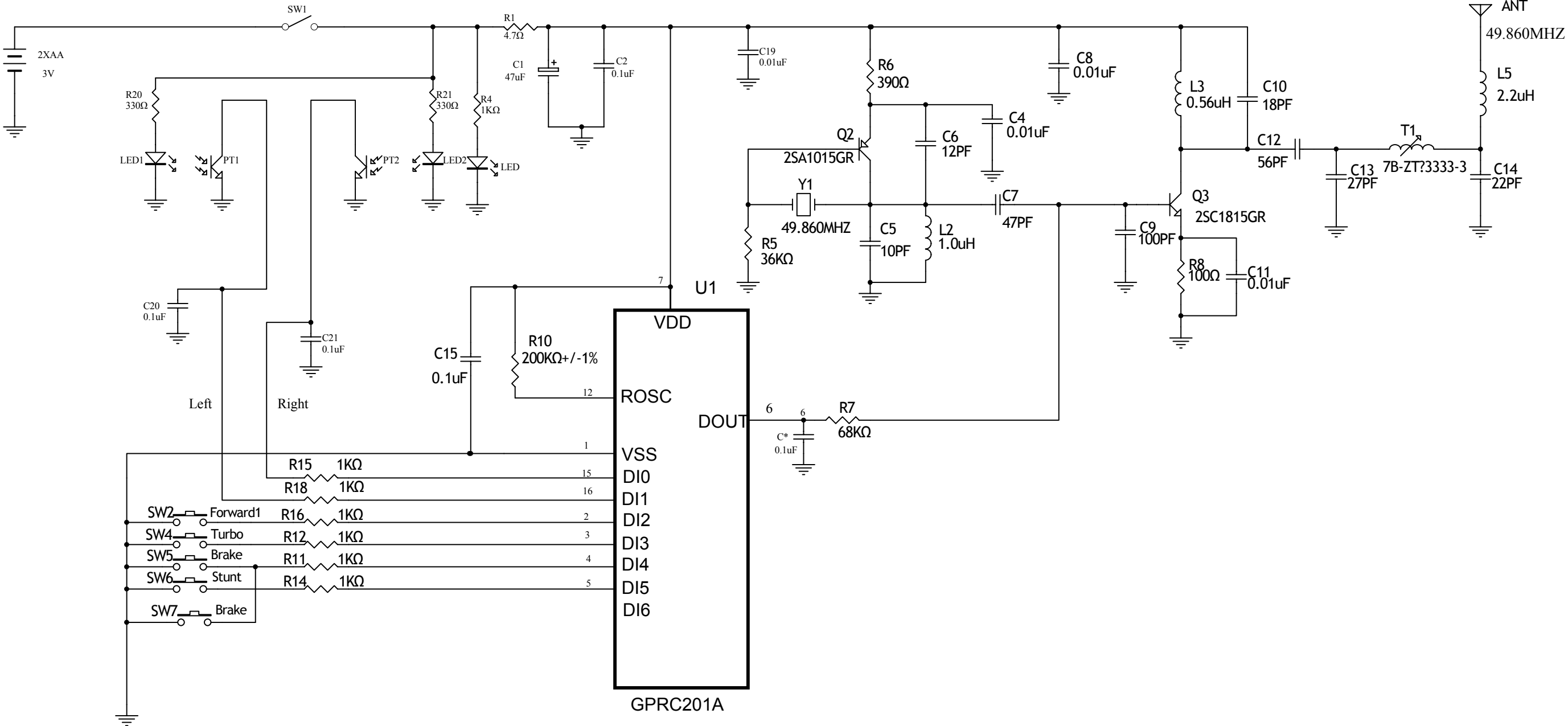


Schematic for N1920 Transmitter



MODEL NAME: Turbo Pro Wheelie Cycle		Company Mattel
Size A3	model number:N1920	Revision 05
Date: 16-Feb-2008	Sheet of	
File: C:\Documents and Settings\pe\桌面\N1920(Drawing)		