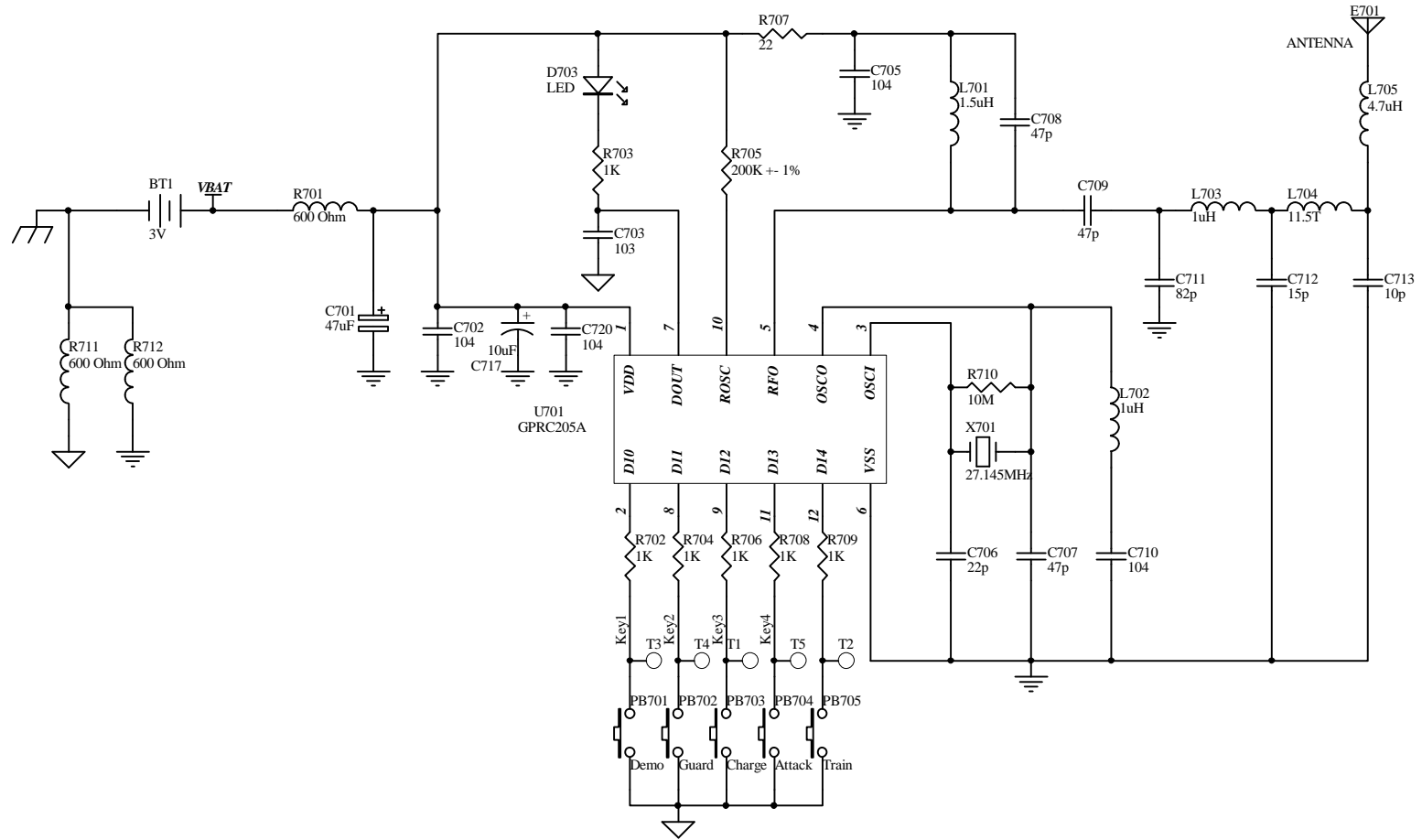


Schematic for M5877 Transmitter



Drawn By:	ZXH
Checked By:	TCL
Approved By:	

Title D-REX RF TRANSMITER <i>Jetta Co.Ltd</i>		
Size: A4	Number: M8577	Revision: 06
Date: 26-Jul-2008	Time: 11:32:52	Sheet 8 of 8
File: E:\zjh\2008 Project\M8577\M8577+003+00700.ddb - Documents\09\RF TRANS REV06.SCH		

