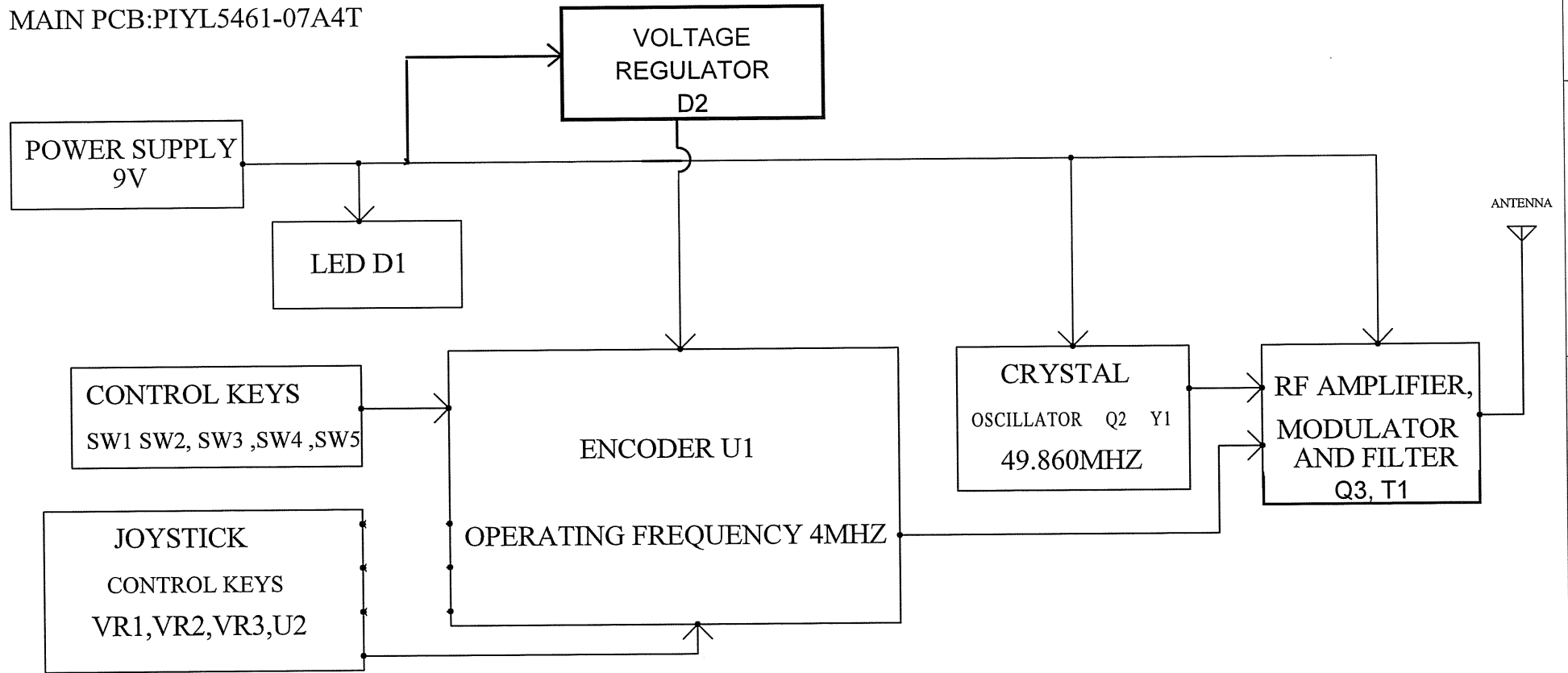


BLOCK-DIAGRAM

L5461 TRANSMITTER 49.860MHZ

MAIN PCB:PIYL5461-07A4T



Title			Triclops(MATTEL)		
Size	Number	Revision			
A4	L5461	03			
Date:	19-Mar-2007	Sheet of			
File:	D:\bpc42\l5461\23新資料夾\Triclops.DD	Drawn By:			