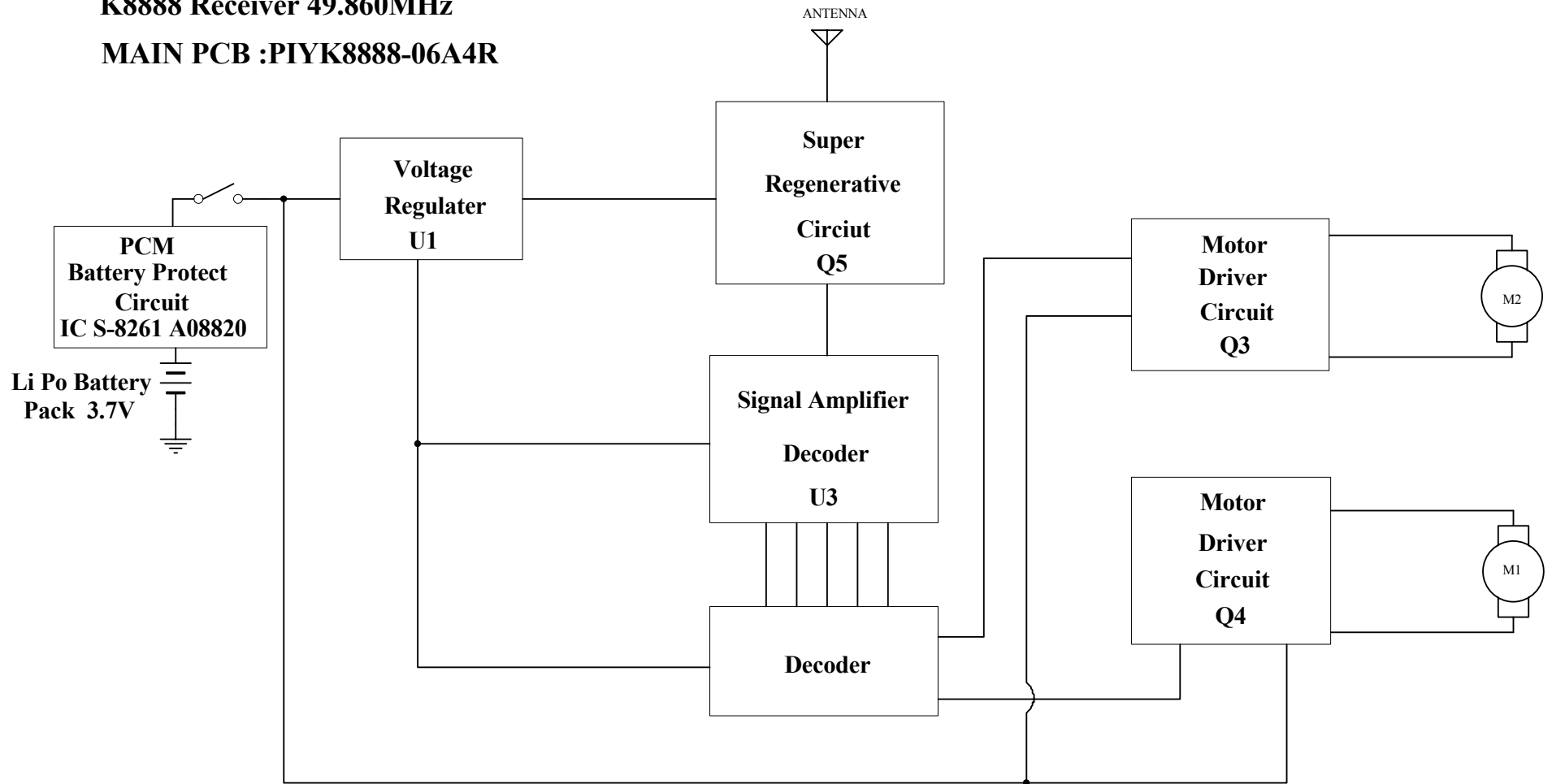


BLOCK - DIAGRAM

K8888 Receiver 49.860MHz

MAIN PCB :PIYK8888-06A4R



Title			Profile Plane (MATTEL)		
Size	Number	Revision			
A4	K8888	00			
Date:	16-Oct-2006	Sheet 1 of 1			
File:	D:\hbp42\K8888 RX BLOCK DIAGRAM.dwg		Drawn By:		