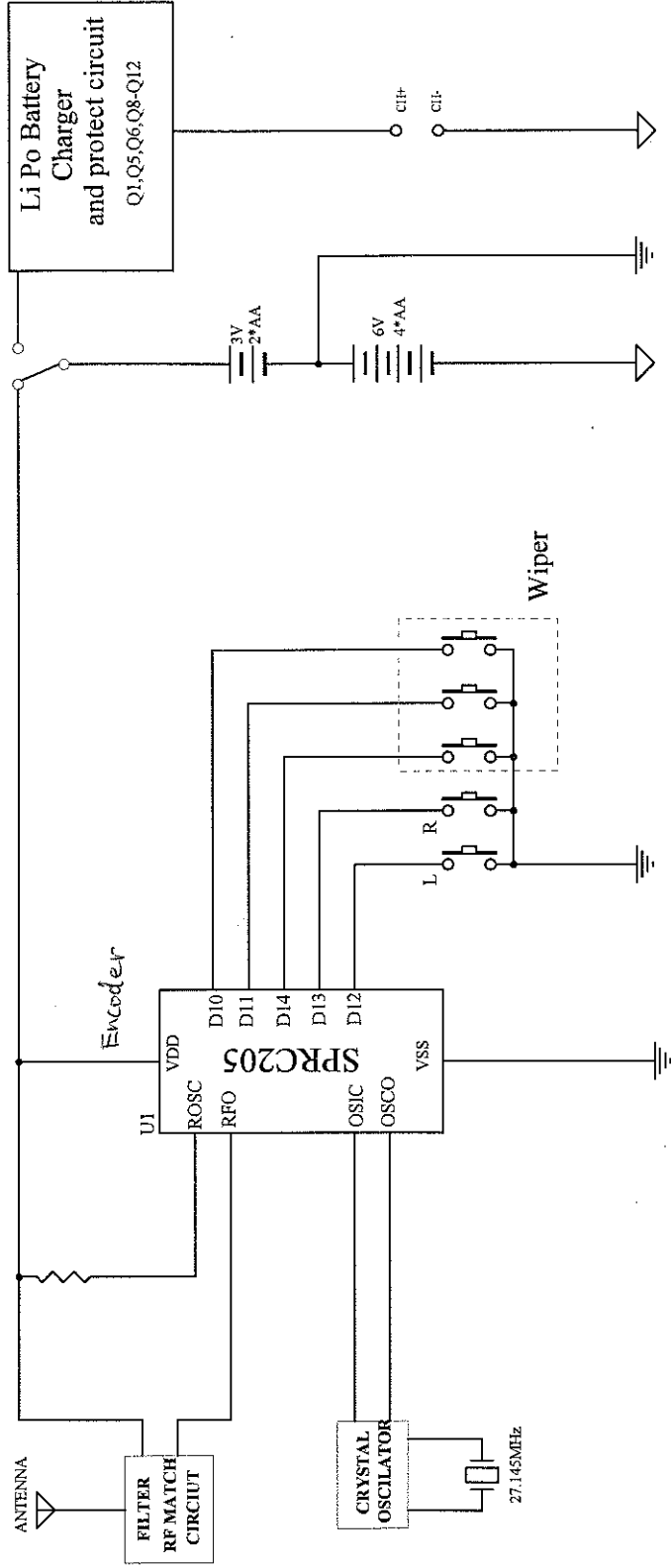


BLOCK-DIAGRAM

K8887 TRANSMITTER

MAIN PCB:PIYK8887-06A2T



Title

Profile Plane (MATTEL)

Size

A4

Number

K8887

Revision

00

Date: 12-Oct-2006

Sheet 1 of 1

File: \\K8887_TX_BLOCK_DIAGRAM.sch Drawn By: