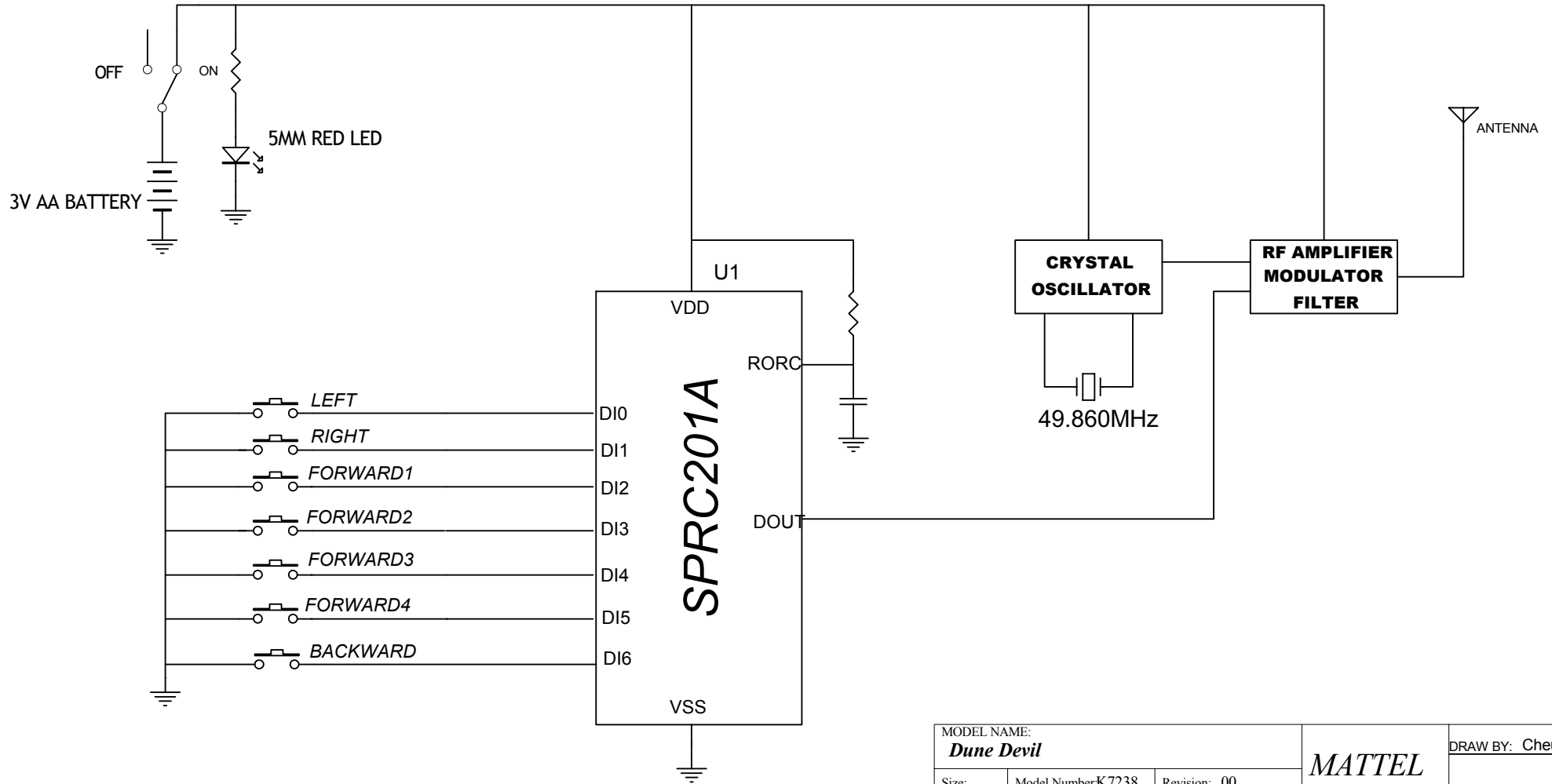


BLOCK-DIAGRAM
K7238 TRANSMITTER 49.860MHz
MAIN PCB : PIYK7238-07A4T



MODEL NAME: Dune Devil			MATTEL	DRAW BY: Cheung Y K
Size: A4	Model Number: K7238	Revision: 00		
File: D:\Project\K9581\FCCI\27M TX\K7238\27M TX Spook.sch			Sheet 1 of 1	