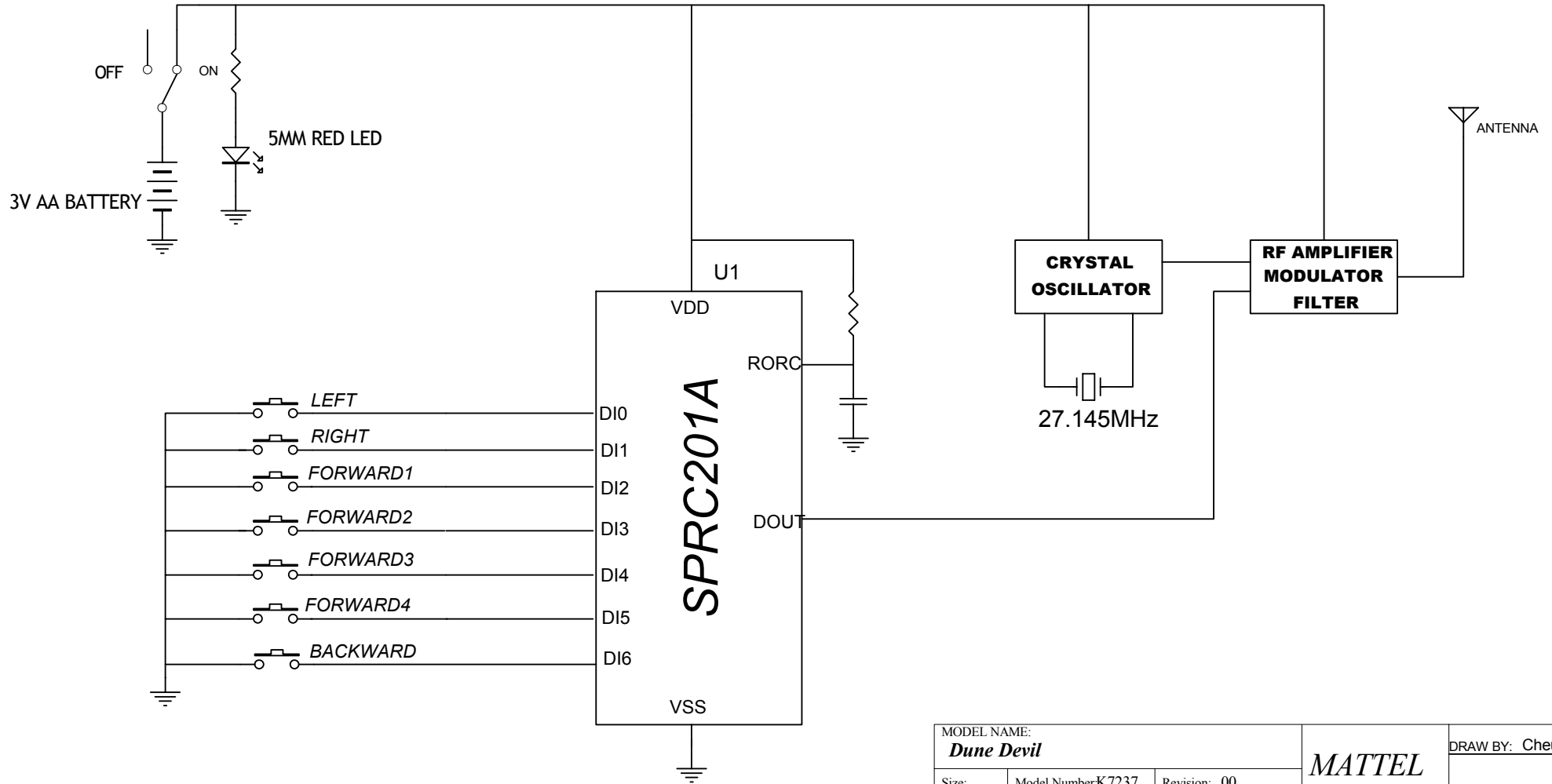


BLOCK-DIAGRAM
K7237 TRANSMITTER 27.145MHz
MAIN PCB : PIYK7237-07A2T



MODEL NAME: Dune Devil			MATTEL	DRAW BY: Cheung Y K
Size: A4	Model Number: K7237	Revision: 00		
File: D:\Project\K9581\FCCI\27M TX\K7237\27M TX Spool.sch			Sheet 1 of 1	