



CAUTION: ELECTRIC TOY

NOT RECOMMENDED FOR CHILDREN UNDER 6 YEARS OF AGE. AS WITH ALL ELECTRICAL PRODUCTS, PRECAUTIONS SHOULD BE OBSERVED DURING HANDLING AND USE TO REDUCE THE RISK OF ELECTRIC SHOCK INPUT: 120VAC, 0.075A, 60Hz ONLY. OUTPUT: 14 VDC, 220mA, 3.1 VA. (model: 62113-UL)

K6319

Keep these instructions for future reference: they contain important information. **IMPORTANT:** Please read all "Consumer Information" before operating your vehicle.

TYCO® R/C SUPPORT

Questions or problems with your product?
DON'T RETURN IT TO THE STORE!
 Just call us for help.

U.S. consumers may also register their products at this number.

1-888-557-8926

I. CONTENTS/FEATURES


- Vehicle
- Transmitter
- 12 V Tyco® Airblade™ Battery Pack
- 12 V Tyco® Airblade™ Wall Charger
- 9 V alkaline battery for transmitter

Vehicle

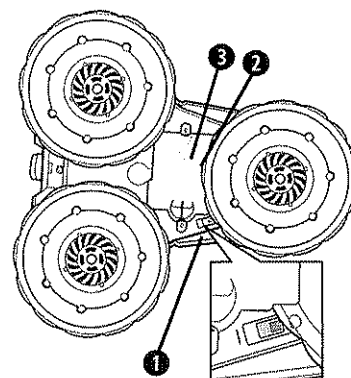
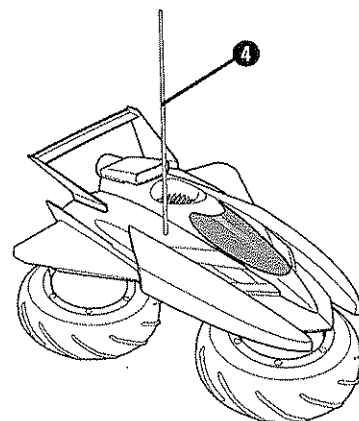
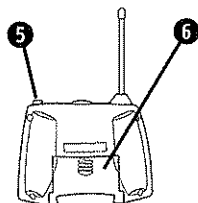
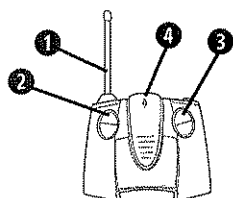
- 1 (1) ON / (0) OFF switch
- 2 Battery door
- 3 Battery door latches
- 4 Antenna

Transmitter

- 1 Antenna
- 2 Throttle rocker left side
- 3 Throttle rocker right side
- 4 LED indicator

 Note: Just turn your vehicle ON. Then move the rockers and you will be able to run and control your vehicle. Transmitter automatically turns off when not in use to save battery power.

- 5 Lift cut button (stop/braking)
- 6 Battery door

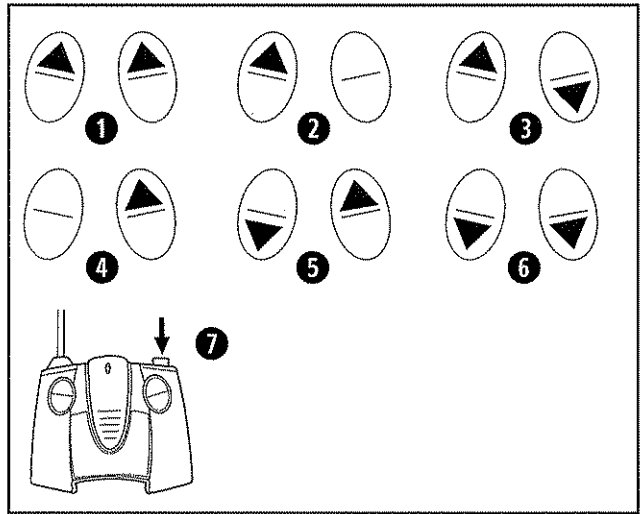


II. BASIC OPERATION

- 1 LEFT UP/RIGHT UP: FORWARD
 - 2 LEFT UP/RIGHT RELEASE: TURN RIGHT
 - 3 LEFT UP/RIGHT DOWN: SPIN RIGHT
 - 4 RIGHT UP/LEFT RELEASE: TURN LEFT
 - 5 RIGHT UP/LEFT DOWN: SPIN LEFT
 - 6 LEFT DOWN/RIGHT DOWN: REVERSE
 - 7 PRESS LIFT CUT BUTTON
- PRESS BUTTON: LIFT CUT/DOWN/STOP/BRAKING

Airblade™ is a high-performance hovercraft vehicle. Hovercraft are a specialized class of vehicles with unique capabilities. Airblade's unique feature is its ability to both float on air and make contact with the ground in order to produce super fast speed and super tight turns.

Air is drawn into the top grille of the craft, pressurized, and directed out the three bottom air pods. inflatable air cushions fill with air to create a seal with the ground that creates "lift". The hovercraft actually "floats" along the ground on a cushion of air. The two rear air pods tilt, rotate and touch the ground when you move the controls on the transmitter to pilot the craft.



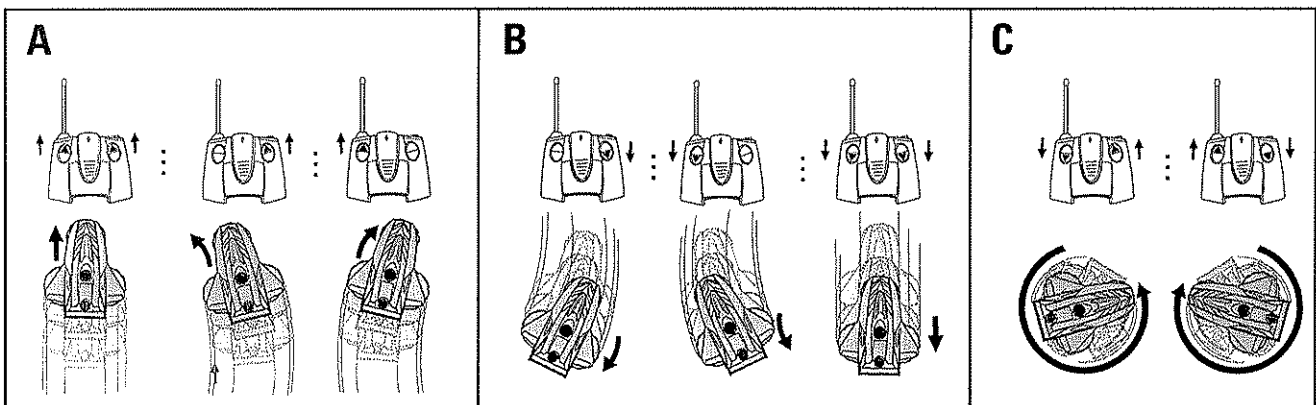
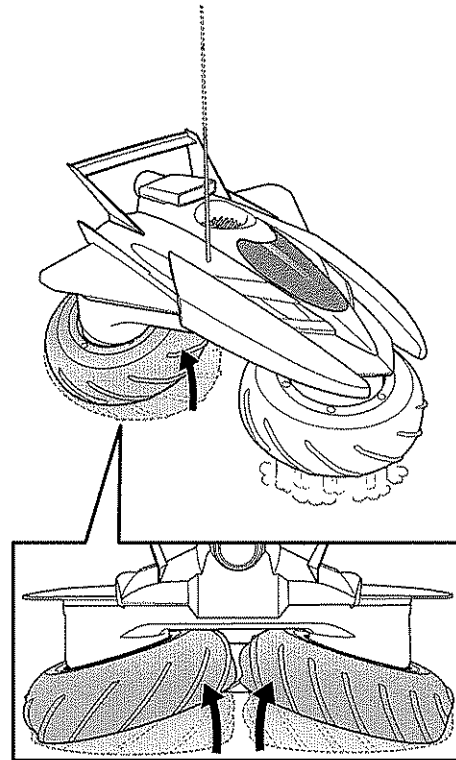
Good to Go!	Not Good to Go!
Flat, smooth surfaces such as floors, asphalt, pavement, hard dirt, ice, low-pile carpet	Rough or broken ground, loose sand, rocks, pebbles, decking, grass, shag carpeting, or any surface that "breaks the seal" with the ground and lets the air out, or anything that might damage the skirts
Calm, smooth fresh water (pools, ponds, lakes), calm winds	Waves, rough or choppy water, salt water (sea or ocean), currents, rivers or streams, windy
Freshly charged battery pack with plenty of power for water operation	Weak or dead battery pack, low power on water — vehicle will not float for long

III. FREQUENCIES

Your vehicle and transmitter operate on one of two frequencies: 27MHz or 49MHz (may be 40MHz in some countries). Do not operate two vehicles on the same frequency in the same area, as they will interfere with each other.

ANTENNA ASSEMBLY

Your antenna comes in two pieces – the base unit and the metal scoping antenna. Remove the antenna from the top of the transmitter and screw it into the cylindrical base in a counter clockwise motion until it is firmly in place. Now pull up on the antenna until it is fully extended. You can remove the antenna for storage and place it back into the canal on top of the transmitter once you're done racing your vehicle.



IV. QUICK TIPS

- ❶ When your vehicle starts to lose power, it may lose functions or performance. It's time for a recharge. For best performance, always start with a fully charged battery.
- ❷ Your vehicle's running time may change depending on your driving style.
- ❸ Radio interference can effect your vehicle's performance. Interference can be caused by other R/C vehicles running on the same frequency, electrical wires, metal fences, large buildings, CB radios or other wireless gear. Try to stay away from these!
- ❹ Point your transmitter antenna up, not toward your vehicle. If your vehicle gets too far away, it won't work properly. If vehicle goes out of range, try raising the transmitter over your head to try to re-establish radio contact.
- ❺ When operating on water, always bring the vehicle back to the shore in plenty of time to avoid loss of power that might strand the vehicle out of your reach.
- ❻ Don't store your vehicle near heat or in direct sunlight. Always turn switch OFF and remove all batteries for storage.

☀ Steer clear of potentially damaging terrains like dry riverbeds where large rocks are often found, tall grasslands where reeds can entangle your vehicle and gravel and sand that can put a lot of stress on a motor.

☀ Don't drive your vehicle in loose sand.

☀ If your vehicle gets wet, wipe it with a towel after use and allow it to dry completely.

V. BATTERY INSTALLATION

For detailed information regarding rechargeable battery charging and safety, please refer to the "Battery Charging/Care" section

Vehicle

1. Rotate the battery latches, as shown, to unlock the battery door. Swing the battery door up and away from the vehicle.
2. Insert the battery pack into the battery compartment as shown.
3. Replace the battery door. Rotate the battery door latches to lock the battery door
4. To remove the battery pack: First turn the vehicle off, turn the latches on the battery compartment, open the battery door and lift out the battery pack.

⚠ **CAUTION:** Battery pack may be hot after use. Allow to cool before touching.

Transmitter

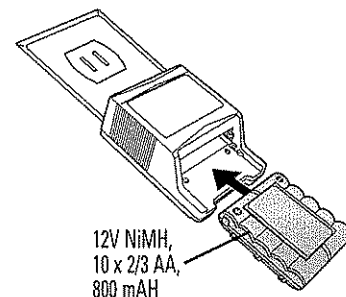
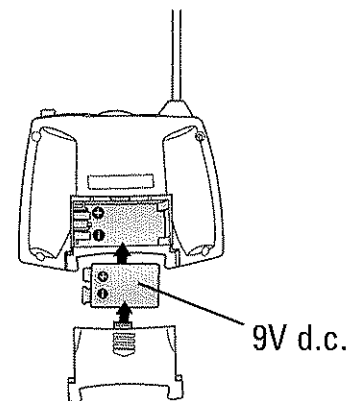
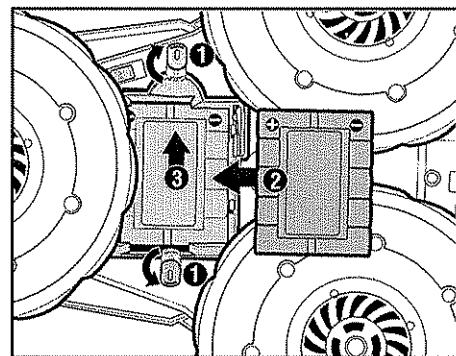
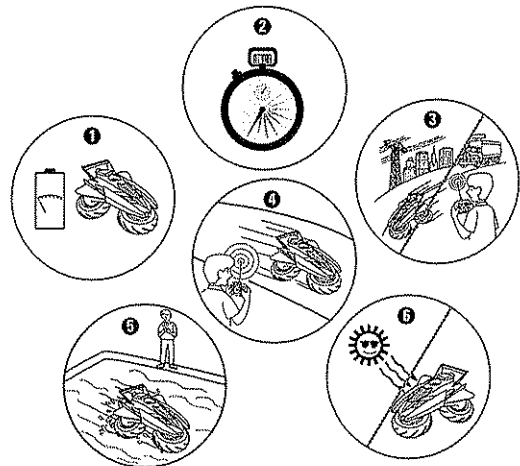
1. To install transmitter battery, open battery door as shown.
2. Install one 9V battery in battery compartment as shown. Observe the battery polarity (+ and -).
3. Close battery door.

VI. BATTERY CHARGING/CARE

⚠ **CAUTION:** Use only the charger supplied with this toy. Do not use any other charging source.

Use only Tyco® Airblade™ 12V NiMH battery pack. Other batteries may leak or rupture, causing personal injury and damage.

1. Plug the wall pack charger into a standard wall outlet.
2. Click the battery pack into the charger. Make certain the battery pack is secure in charger.
3. To disconnect, slide battery pack out.
4. After charging, the battery will feel warm. This condition is normal for fully charged batteries.
5. New battery packs must be charged for 5 1/2 hours the first two times charged. Subsequent charges will require 4 hours. Charging the battery pack for more than 5 1/2 hours will not give you a longer running time. 5 1/2 hours is all that is required for a fully charged battery pack.
6. Unlike alkaline batteries, which lose power gradually, a NiMH battery will run for its normal running time and then lose most of its power at once. That's when you'll know it's time to recharge the battery pack.



7. After use, the battery pack will be hot! Wait at least 20 minutes until the battery pack cools before recharging. Recharging a warm or hot battery pack will greatly reduce the number of times your battery pack can be recharged.

8. The charger must be disconnected from the electric supply.

RECHARGEABLE BATTERY INFORMATION:

- DO NOT RECHARGE BATTERY PACK IF IT'S HOT. ALLOW IT TO COOL BEFORE RECHARGING.
- DO NOT RECHARGE A BATTERY PACK THAT SHOWS LEAKAGE OR CORROSION.
- DO NOT DISASSEMBLE THE BATTERY PACK. THE BATTERY PACK IS A SEALED RECHARGEABLE NICKEL METAL HYDRIDE BATTERY.
- EXERCISE CAUTION IN HANDLING A HOT BATTERY PACK.
- IF BATTERY PACK AND/OR CHARGER ARE WET, THOROUGHLY DRY BEFORE CHARGING.
- DO NOT RECHARGE NON-RECHARGEABLE BATTERIES.

Note to Adults:

- Remove rechargeable batteries before recharging.
- The battery charger is for adult use only.
- Regularly examine for damage to the plug, enclosure and other parts. In the event of any damage, the toy must not be used with the charger until the damage has been repaired.
- The charger is not a toy.

THIS PRODUCT USES A NiMH RECHARGEABLE BATTERY PACK. THE BATTERY MUST BE RECYCLED OR DISPOSED OF PROPERLY. FOR FURTHER INFORMATION REGARDING BATTERIES OR THEIR DISPOSAL PLEASE CONTACT THE APPROPRIATE LOCAL OFFICE.

CONSUMER INFORMATION

Note to Adults: To ensure that the child's play is both safe and fun, please review all the operating instructions and safety tips with your child.

Note to Consumers: If the wheels wear out, please contact the Consumer relations group to order a replacement part

Safety Tips

- Never, ever drive your vehicle on the street!
- Adult supervision is recommended when this vehicle is being used.

CAUTION: Keep fingers, hair and loose clothing away from the fans, air bag skirts and air ducts while the vehicle is switched ON.

- Adult supervision is strongly recommended playing near water or ice. Use extra caution. Do not go out onto ice on a lake or other body of water that might be dangerous if it breaks.
- DO NOT pick up the vehicle while in motion. Take your fingers off the transmitter rockers and then pick it up.
- Do not block rotation of top lift fan or stick any object through grilles.
- To avoid accidental or unwanted operation, remove all the batteries when not in use. Always turn the vehicle OFF before removing the batteries.

BATTERY SAFETY INFORMATION

- Non-rechargeable batteries are not to be recharged.
- Rechargeable batteries are to be removed from the product before being charged (if designed to be removable).
- Rechargeable batteries are only to be charged under adult supervision (if designed to be removable).
- Do not mix alkaline, standard (carbon-zinc), or rechargeable (nickel-cadmium) batteries.
- Do not mix old and new batteries.
- Only batteries of the same or equivalent type as recommended are to be used.
- Batteries are to be inserted with the correct polarity.
- Exhausted batteries are to be removed from the product.
- The supply terminals are not to be short-circuited.
- Dispose of battery(ies) safely.
- Do not dispose of this product in a fire. The batteries inside may explode or leak.

Battery Performance Note:

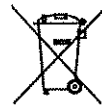
For best performance use regular or high-performance alkaline batteries (where disposable batteries are called for).

COMPLIANCE WITH FCC REGULATIONS (VALID IN U.S. ONLY)

This device complies with part 15 of the FCC Rules. Operation is subject to the following two conditions: (1) This device may not cause harmful interference, and (2) this device must accept any interference received, including interference that may cause undesired operation.

This device generates and uses radio frequency energy and if not used properly may cause interference to radio and television reception. It has been tested and found to comply with the limits set by the FCC which are designed to provide reasonable protection against such interference.

WARNING: Changes or modifications not expressly approved by the party responsible for compliance could void the user's authority to operate the equipment.



Protect the environment by not disposing of this product with household waste (2002/96/EC). Check your local authority for recycling advice and facilities.

© 2006 Mattel, Inc., 333 Continental Blvd., El Segundo, CA 90245 U.S.A.
 Consumer Relations: 1-888-557-8926. PRINTED IN CHINA. All Rights Reserved. Retain this address for future reference: Mattel U.K. Ltd., Vanwall Business Park, Maidenhead SL6 4UB, Heflane 01628 509303.
service.mattel.com Mattel Australia Pty Ltd., Richmond, Victoria 3121
 - Consumer Advisory Service: 1300 135 312. Mattel East Asia Ltd, Room 1106, South Tower, World Finance Centre, Harbour City, Tsinghsatui, HK, China. Diimpot & Diedarkan Oleh: Mattel SEA Ptd Ltd, (983532-P) Lot 13.5, Menara Lien Hoe, Persiaran Tropicana Golf Country Resort, 47410 PJ. Tel: 03-78803817, Fax: 03-78803867.

90-DAY LIMITED WARRANTY

Mattel, Inc. warrants to the original consumer purchaser that this product will be free of defects in material and workmanship for ninety (90) days (unless specified in alternate warranties) from the date of purchase. Mattel will replace the product in the event of such a defect within the warranty period.

In the event of a defect covered under this warranty, first call the toll-free number listed below. Many problems can be solved in this manner. If necessary, you will be instructed to return the product, postage prepaid and insured, to the address below. Enclose your name, address, dated sales receipt, and a brief explanation of the defect. Replacement and return shipment will be free of charge.

This warranty does not cover damage resulting from unauthorized modification, accident, misuse or abuse. If the product is returned without a dated sales receipt the product may be excluded from coverage under this warranty.

Mattel's liability for defects in material and workmanship under this warranty shall be limited to replacement, and in no event shall we be responsible for incidental, consequential, or contingent damages (except in those states that do not allow this exclusion or limitation). This warranty is exclusive, and is made in lieu of any express or implied warranty. Valid only in U.S.A. This warranty gives you specific legal rights and you may have other rights, which vary from state to state. Some states do not allow the exclusion of incidental or consequential damages, so the above exclusions or limitations may not apply to you.

TOLL-FREE NUMBER: 1-888-557-8926 (valid only in U.S.A.) Hours: 8:00 A.M. - 5:00 P.M. Eastern Time: Monday - Friday. Expect some delay in January following the holiday season. Please be patient and keep trying the toll-free number. ADDRESS FOR RETURNS: CONSUMER RELATIONS, 636 GIRARD AVENUE, EAST AURORA, NY 14052