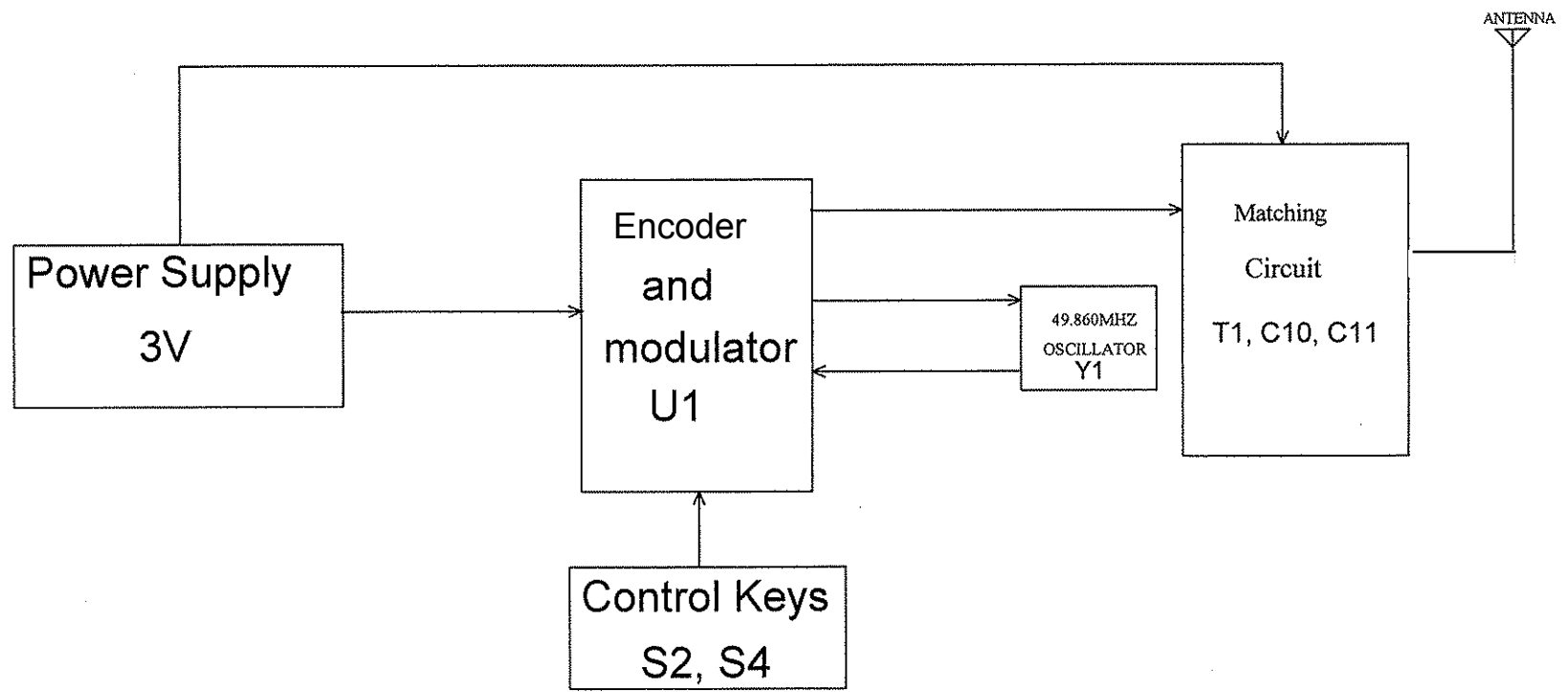


BLOCK - DIAGRAM  
 J8865 TRANSMITTER  
 TX PCB : PIYJ8865-06A4T



Title		SUPER DANCING BARBIE (Mattel)	
Size	Number	Revision	
A4	J8865		
Date:	23-May-2006	Sheet of	
File:	D:\Project\VTX Block Diagram.Sch	Drawn By:	