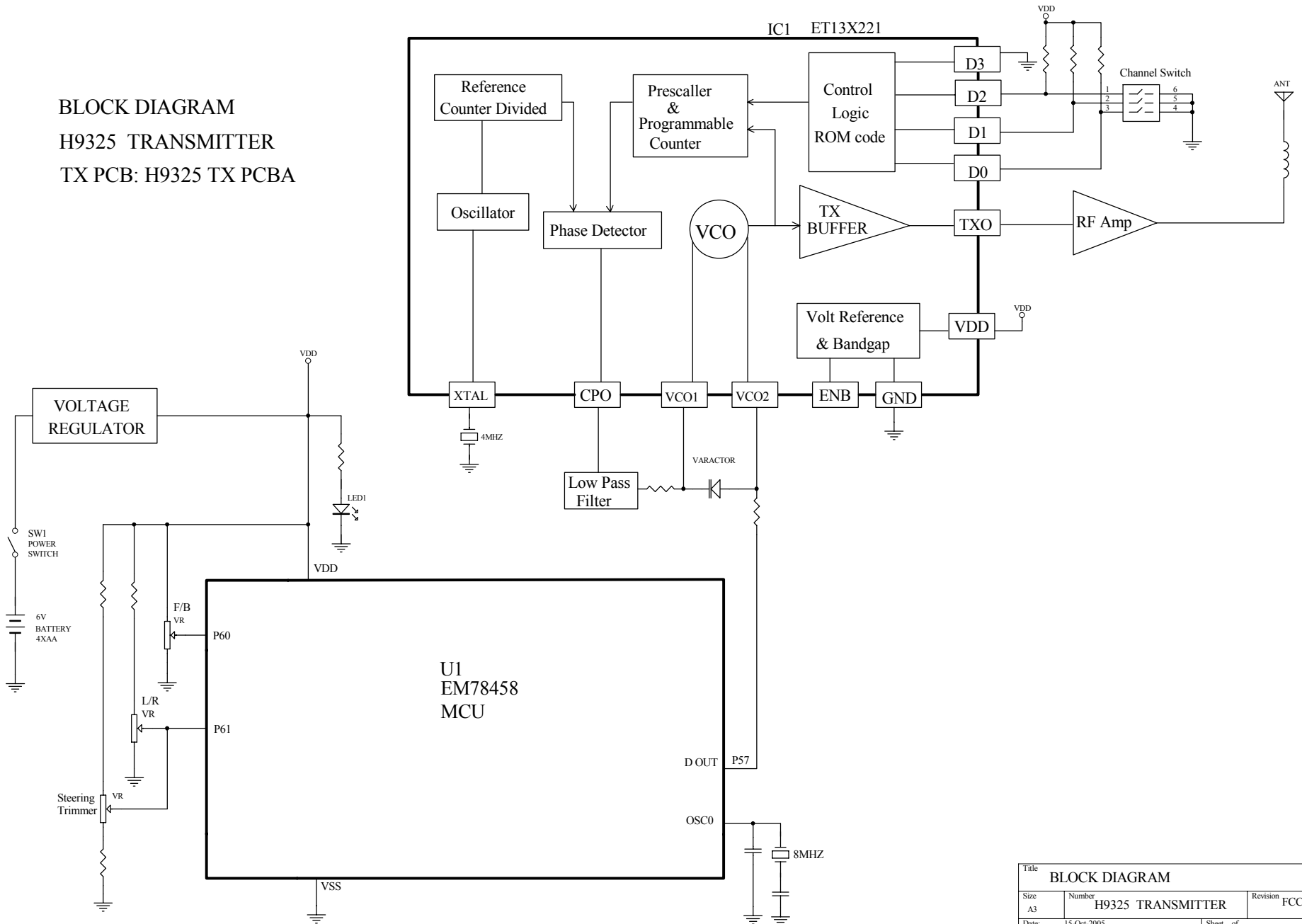


BLOCK DIAGRAM
H9325 TRANSMITTER
TX PCB: H9325 TX PCBA



Title			BLOCK DIAGRAM		
Size	Number	Revision		FCC	
A3	H9325 TRANSMITTER				
Date:	15-Oct-2005	Sheet of			
File:	C:\Documents and Settings\... \TBD.sch	Drawn By:			