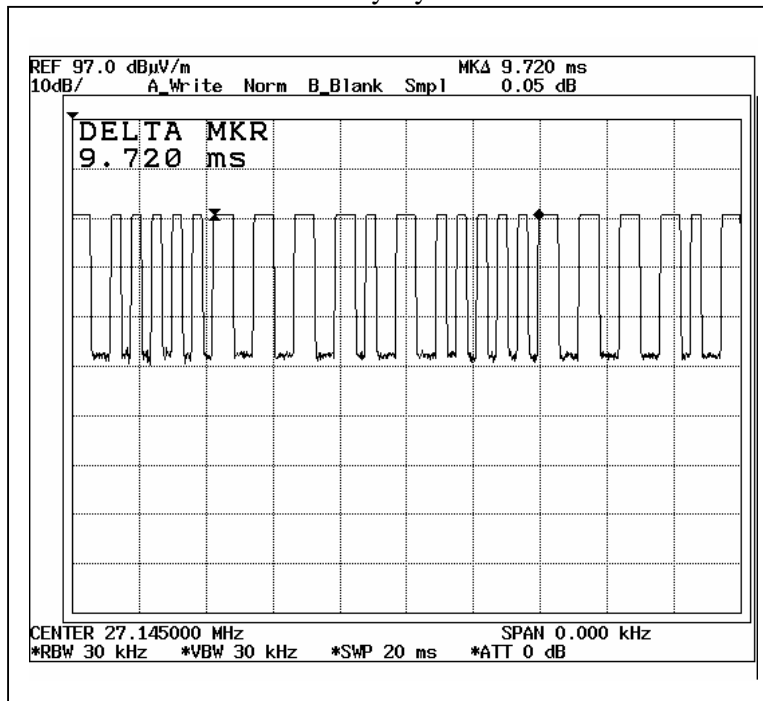
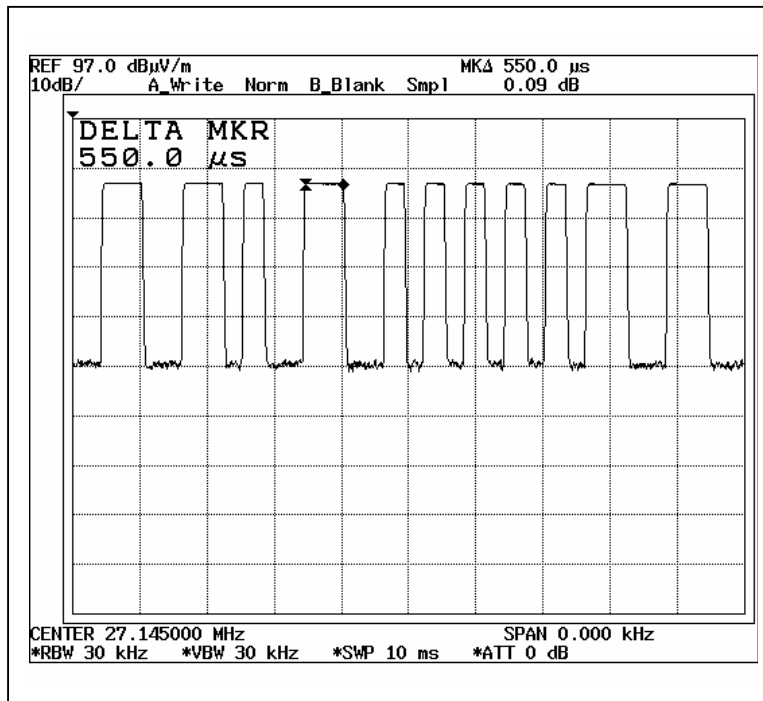


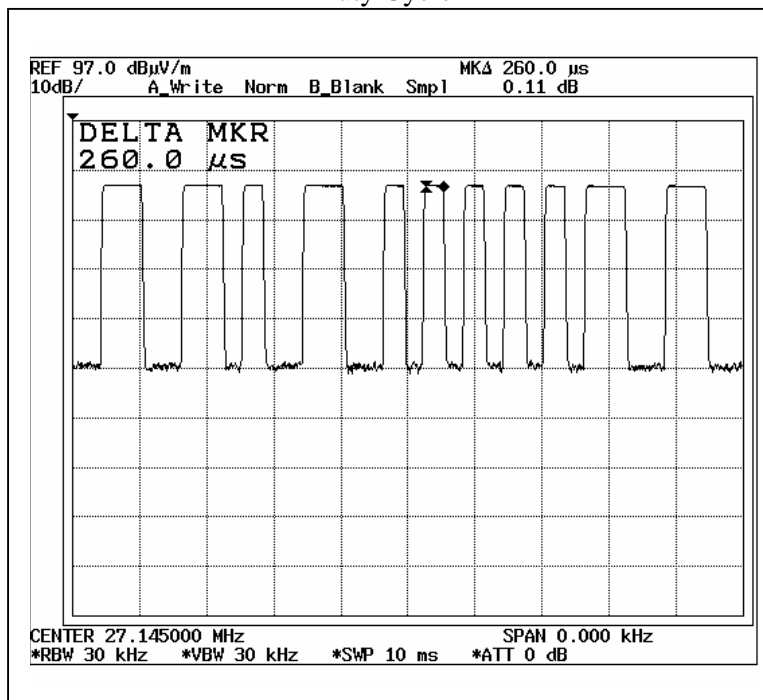
Duty Cycle



Duty Cycle 1



Duty Cycle 2



Duty Cycle 3