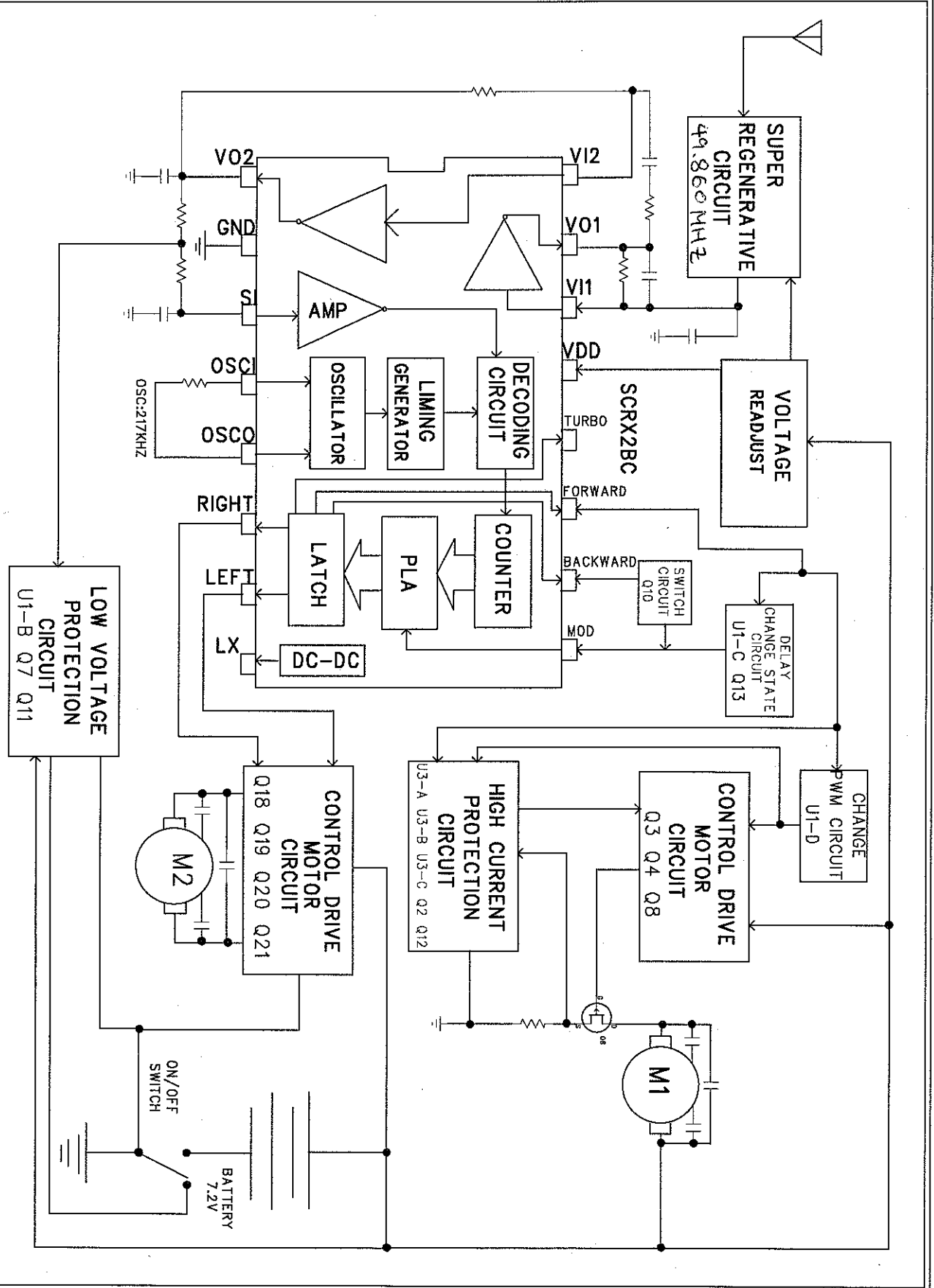




LUNG CHEONG

TITLE:	H6918-RX(49MHZ)	DESIGN BY:	XIAO YUN	DRAWING BY:	XIAO YUN	APPROVED BY:		SHEET:	1 of 1
FUNCTION:		DATE:	JUN 21 2005	DATE:	JUN 21 2005				
DWG NO.:									



LOW VOLTAGE PROTECTION CIRCUIT U1-B Q7 Q11

CONTROL DRIVE MOTOR CIRCUIT Q18 Q19 Q20 Q21

HIGH CURRENT PROTECTION CIRCUIT U3-A U3-B U3-C Q2 Q12

CONTROL DRIVE MOTOR CIRCUIT Q3 Q4 Q8

CHANGE PWM CIRCUIT U1-D

SUPER REGENERATIVE CIRCUIT 49.860 MHz

VOLTAGE READJUST

DELAY CHANGE STATE CIRCUIT U1-C Q13

SCRXX2BC

FORWARD

BACKWARD

MOD

DECODING CIRCUIT

LIMITING GENERATOR

OSCILLATOR

AMP

RIGHT

LEFT

LX

OSC:217KHZ

OSC

OSCO

GND

S

V02

V01

V11

V12

VDD

TURBO

SWITCH CIRCUIT Q10

PLA

COUNTER

LATCH

DC-DC

Q18 Q19 Q20 Q21

M2

ON/OFF SWITCH

BATTERY 7.2V

M1

Q3 Q4 Q8

U3-A U3-B U3-C Q2 Q12

U1-D

U1-C Q13

SCRXX2BC

VOLTAGE READJUST

49.860 MHz

SUPER REGENERATIVE CIRCUIT