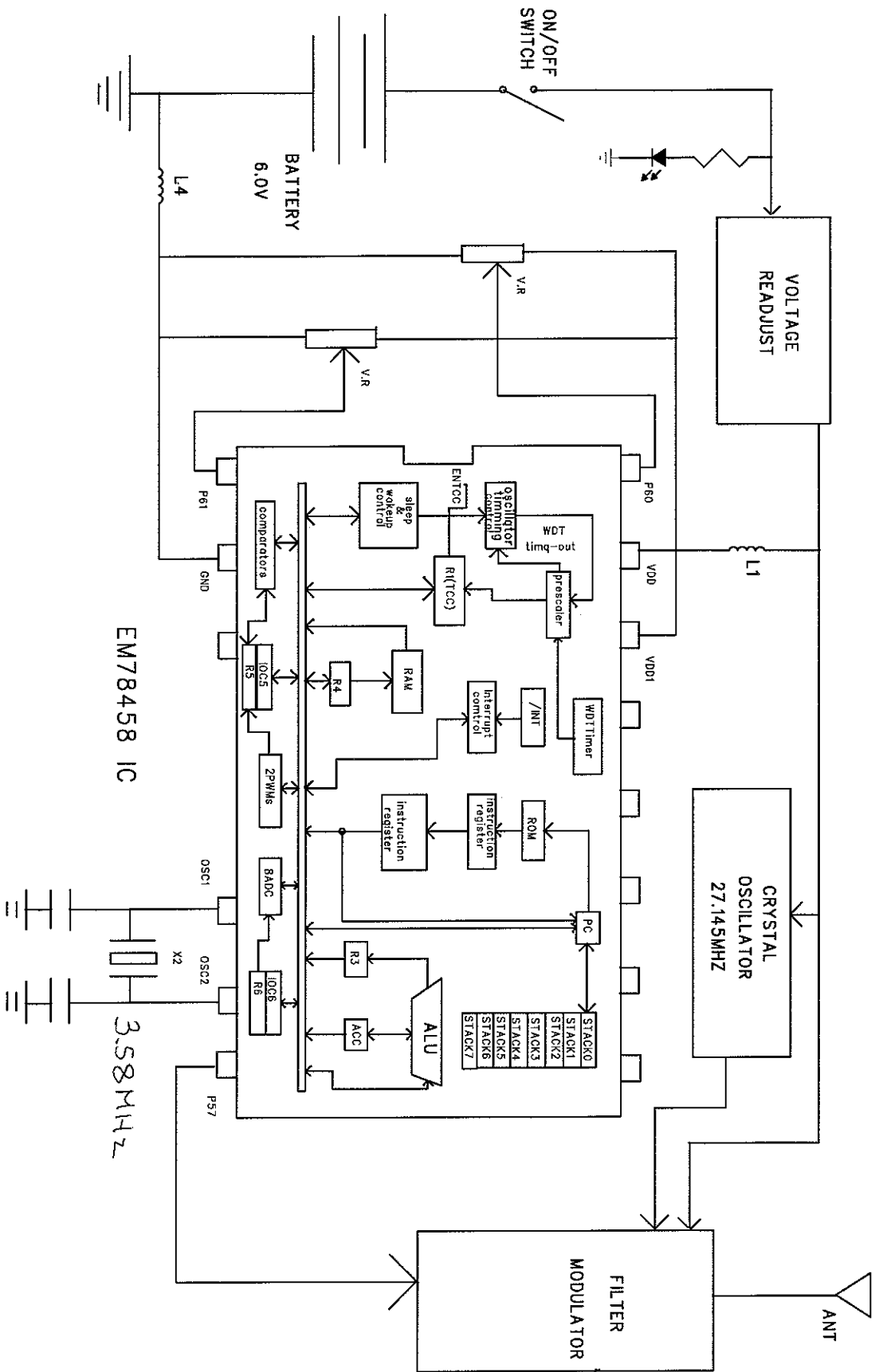




LUNG CHEONG

TITLE: G3451 TX BLOCK DIAGRAM
 FUNCTION:
 DWG NO.: DZ02-063451-05

DESIGN BY:
 DRAWING BY: QW SHI
 APPROVED BY:
 SHEET: 1 of 1



EM78458 IC

3.58MHz