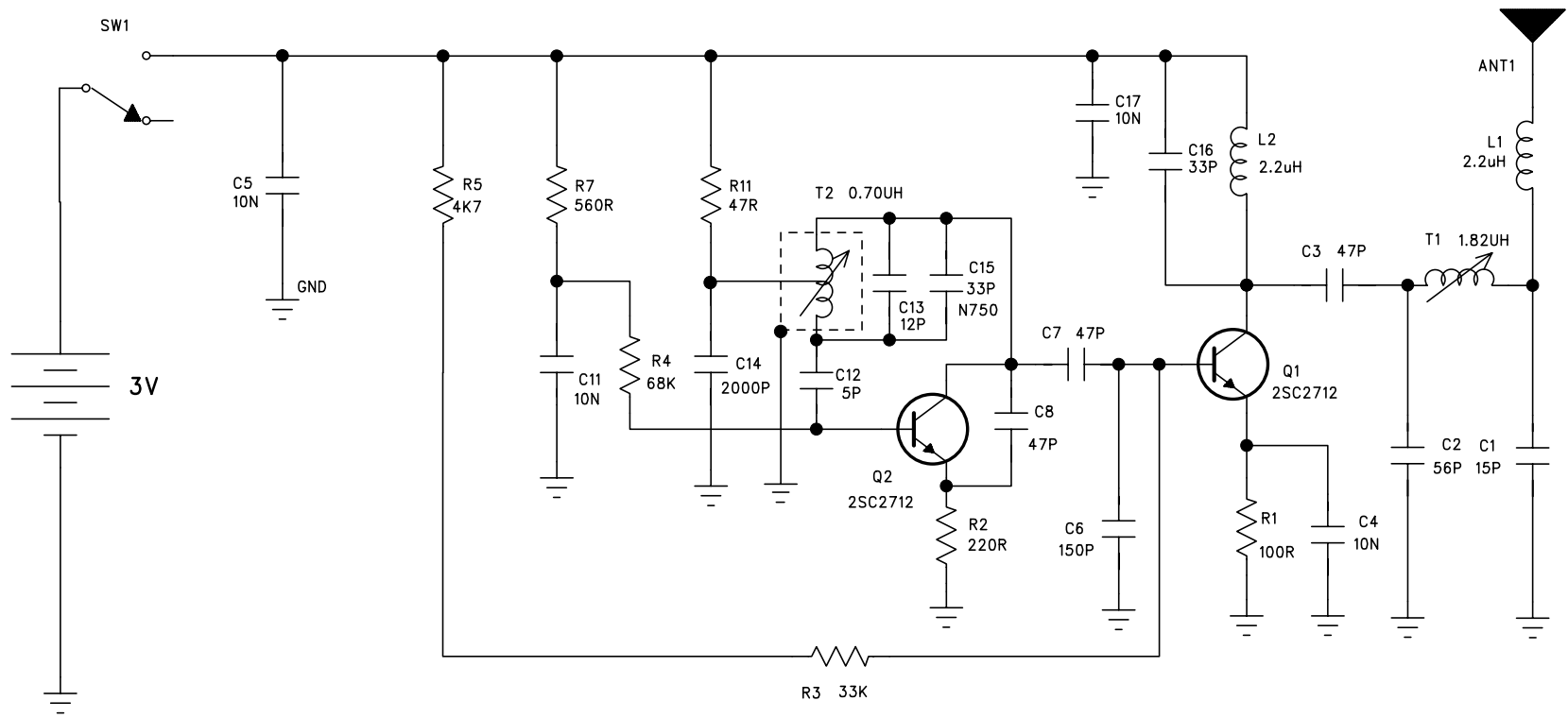


REV	DETAIL of CHANGES	DATE
R0	PRELIMINARY	02 02 16
R1		



FCC

MODE: KEY START	KIN YAT INDUSTRIAL CO.,LTD	
MODEL NO:	DESCRIPTION:	
PCB NO:	SCHEMATICS OF TX 27.145MHZ	
PCBA NO:	PAGE:	REV: R0
DICE NO:	LSSUED DATE: 2004.06.08	
DRAWN BY: CHEN		