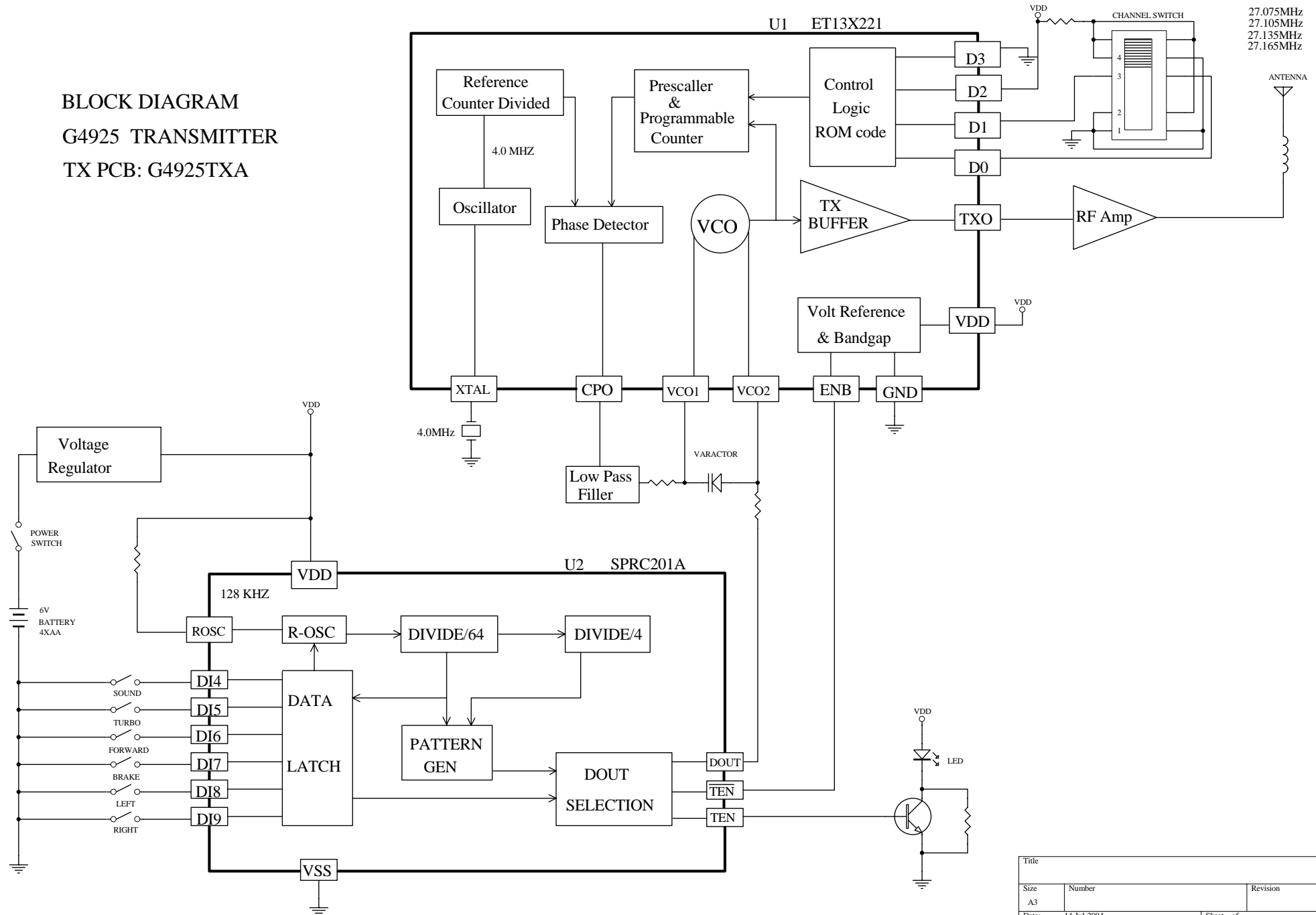


BLOCK DIAGRAM
G4925 TRANSMITTER
TX PCB: G4925TXA



27.075MHz
 27.105MHz
 27.135MHz
 27.165MHz

Title		
Size	Number	Revision
A3		
Date:	14-Jul-2004	Sheet of
File:	D:\LZ-2004\PIX\G4925\G4925.DDB	Drawn By: