

## TEST REPORT

**Report No.: 18110982HKG-001R1**

Mattel Asia Pacific Sourcing Limited

Application For Certification  
(Original Grant)

**FCC ID: PIYFRW24-19B5R**

**IC: 4390C-FRW2419B5R**

Transceiver

All technical data is referred to test report 18110982HKG-001 dated December 11, 2018.  
Please refer TY-S18-0340 Letter issued on December 21, 2018 for amendment/ supersede notification.

**Prepared and Checked by:**

**Approved by:**

Signed On File  
Lee Yee Yat, Adrian  
Assistant Engineer

---

Wong Kwok Yeung, Kenneth  
Senior Lead Engineer  
Date: December 21, 2018

---

Intertek's standard Terms and Conditions can be obtained at our website <http://www.intertek.com/terms/>.

The test report only allows to be revised within the retention period unless further standard or the requirement was noticed.

This report is for the exclusive use of Intertek's Client and is provided pursuant to the agreement between Intertek and its Client. Intertek's responsibility and liability are limited to the terms and conditions of the agreement. Intertek assumes no liability to any party, other than to the Client in accordance with the agreement, for any loss, expense or damage occasioned by the use of this report. Only the Client is authorized to permit copying or distribution of this report and then only in its entirety. Any use of the Intertek name or one of its marks for the sale or advertisement of the tested material, product or service must first be approved in writing by Intertek. The observations and test results in this report are relevant only to the sample tested. This report by itself does not imply that the material, product, or service is or has ever been under an Intertek certification program.

© 2017 Intertek

## TEST REPORT

### GENERAL INFORMATION

<b>Grantee:</b>	Mattel Asia Pacific Sourcing Limited
<b>Grantee Address:</b>	Room 1301, South Tower, World Finance Centre, Harbour City, Tsim Sha Tsui, Kowloon, Hong Kong.
<b>Contact Person:</b>	Joule Mak
<b>Tel:</b>	(852) 3185 5000
<b>Fax:</b>	(852) 2735 3758
<b>e-mail:</b>	<a href="mailto:Joule.mak@mattel.com">Joule.mak@mattel.com</a>
<b>Supplier:</b>	Wynnewood
<b>Manufacturer:</b>	Mattel Asia Pacific Sourcing Limited
<b>Manufacturer Address:</b>	Room 1301, South Tower, World Finance Centre, Harbour City, Tsim Sha Tsui, Kowloon, Hong Kong.
<b>Buyer:</b>	Mattel
<b>Brand Name:</b>	Hot Wheels TechMODS
<b>Model:</b>	FRW24
<b>HVIN:</b>	FRW24R
<b>PMN:</b>	Hot Wheels TechMODS
<b>Additional Model:</b>	FRW25
<b>Type of EUT:</b>	Transceiver
<b>Description of EUT:</b>	Hot Wheels TechMODS
<b>Serial Number:</b>	N/A
<b>FCC ID / IC:</b>	PIYFRW24-19B5R / 4390C-FRW2419B5R
<b>Date of Sample Submitted:</b>	November 21, 2018
<b>Date of Test:</b>	November 21, 2018 to December 06, 2018
<b>Report No.:</b>	18110982HKG-001R1
<b>Report Date:</b>	December 21, 2018
<b>Environmental Conditions:</b>	Temperature: +10 to 40°C Humidity: 10 to 90%
<b>Conclusion:</b>	Test was conducted by client submitted sample. The submitted sample as received complied with the 47 CFR Part 15 / RSS-210 Issue 9 Certification.

## TEST REPORT

### SUMMARY OF TEST RESULT

Test Specification	Reference	Results
Radiated Emission	15.249, 15.209 /	Pass
Radiated Emission on the Bandedge	RSS-210 B.10, RSS-210 4.4	
Radiated Emission in Restricted Bands	15.205 / RSS-210 4.1	Pass

The equipment under test is found to be complying with the following standards:

FCC Part 15, October 1, 2017 Edition

RSS-210 Issue 9, August 2016

RSS-Gen Issue 5, April 2018

Note: 1. The EUT uses a permanently attached antenna which, in accordance to section 15.203, is considered sufficient to comply with the provisions of this section.  
2. Pursuant to FCC part 15 Section 15.215(c), the 20 dB bandwidth of the emission was contained within the frequency band designated (mentioned as above) which the EUT operated. The effects, if any, from frequency sweeping, frequency hopping, other modulation techniques and frequency stability over excepted variations in temperature and supply voltage were considered.

**TEST REPORT**

**TABLE OF CONTENTS**

**1.0 GENERAL DESCRIPTION .....5**

1.1 Product Description .....5

1.2 Related Submittal(s) Grants.....5

1.3 Test Methodology .....5

1.4 Test Facility .....5

**2.0 SYSTEM TEST CONFIGURATION .....6**

2.1 Justification .....6

2.2 EUT Exercising Software .....6

2.3 Special Accessories.....6

2.4 Measurement Uncertainty .....6

2.5 Support Equipment List and Description .....6

**3.0 EMISSION RESULTS.....7**

3.1 Field Strength Calculation.....7

3.2 Radiated Emission Configuration Photograph.....8

3.3 Radiated Emission Data .....8

**4.0 EQUIPMENT PHOTOGRAPHS .....12**

**5.0 PRODUCT LABELLING.....12**

**6.0 TECHNICAL SPECIFICATIONS .....12**

**7.0 INSTRUCTION MANUAL.....12**

**8.0 MISCELLANEOUS INFORMATION .....13**

8.1 Measured Bandwidth / Radiated Emission on the Bandedge.....13

8.4 Emissions Test Procedures .....16

8.5 Occupied Bandwidth .....20

**9.0 CONFIDENTIALITY REQUEST .....21**

**10.0 EQUIPMENT LIST .....21**

## TEST REPORT

### 1.0 GENERAL DESCRIPTION

#### 1.1 Product Description

The Equipment Under Test (EUT) is a portable 2.4 GHz Toy Car (Bluetooth V4.2 & BLE only) operating at the frequency range of 2402 – 2480 MHz with 2 MHz channel spacing. It can be connected to the smartphone via Bluetooth and can be controlled to move forward/ backward/ left/ right. The EUT is powered by a 3.7V DC rechargeable internal battery.

The Model: FRW25 is the same as the Model: FRW24 in hardware aspect as declared by client. The models are different in color only as declared by client.

Antenna Type: Internal, Integral

For electronic filing, the brief circuit description is saved with filename: descri.pdf.

#### 1.2 Related Submittal(s) Grants

This is a single application for certification of a transceiver.

The receiver for this transceiver is exempted from the Part 15 technical rules per 15.101(b).

#### 1.3 Test Methodology

Radiated emission measurements were performed according to the procedures in ANSI C63.10 (2013). All radiated measurements were performed in an 3m Chamber. Preliminary scans were performed in the 3m Chamber only to determine worst case modes. All radiated tests were performed at an antenna to EUT distance of 3 meters, unless stated otherwise in the **“Justification Section”** of this Application.

#### 1.4 Test Facility

The 3m Chamber used to collect the radiated data is located at Workshop No. 3, G/F., World-Wide Industrial Centre, 43-47 Shan Mei Street, Fo Tan, Sha Tin, N.T., Hong Kong. This test facility and site measurement data have been placed on file with the FCC and IC No. 2042V-1.

## TEST REPORT

### 2.0 SYSTEM TEST CONFIGURATION

#### 2.1 Justification

The system was configured for testing in a typical fashion (as a customer would normally use it), and in the confines as outlined in ANSI C63.10 (2013).

The device was powered by new DC 3.7V (1 x 3.7V Rechargeable Battery).

For maximizing emissions, the EUT was rotated through 360°, the antenna height was varied from 1 meter to 4 meters above the ground plane, and the antenna polarization was changed. This step by step procedure for maximizing emissions led to the data reported in Exhibit 3.0.

The unit was operated standalone and placed in the center of the turntable.

The equipment under test (EUT) was configured for testing in a typical fashion (as a customer would normally use it). The EUT was mounted to a plastic stand if necessary and placed on the wooden turntable, which enabled the engineer to maximize emissions through its placement in the three orthogonal axes.

#### 2.2 EUT Exercising Software

There was no special software to exercise the device. Once the unit is powered up, it transmits the RF signal continuously.

#### 2.3 Special Accessories

There are no special accessories necessary for compliance of this product.

#### 2.4 Measurement Uncertainty

When determining of the test conclusion, the Measurement Uncertainty of test has been considered.

#### 2.5 Support Equipment List and Description

N/A.

## TEST REPORT

### 3.0 EMISSION RESULTS

Data is included of the worst case configuration (the configuration which resulted in the highest emission levels). A sample calculation, configuration photographs and data tables of the emissions are included.

#### 3.1 Field Strength Calculation

The field strength is calculated by adding the Antenna Factor and Cable Factor, and subtracting the Amplifier Gain (if any), Average Factor (optional) from the measured reading. The basic equation with a sample calculation is as follows:

$$FS = RA + AF + CF - AG - AV$$

where FS = Field Strength in dB $\mu$ V/m

RA = Receiver Amplitude (including preamplifier) in dB $\mu$ V

CF = Cable Attenuation Factor in dB

AF = Antenna Factor in dB

AG = Amplifier Gain in dB

AV = Average Factor in dB

In the following table(s), the reading shown on the data table reflects the preamplifier gain. An example for the calculations in the following table is as follows:

$$FS = RR + LF$$

where FS = Field Strength in dB $\mu$ V/m

RR = RA - AG - AV in dB $\mu$ V

LF = CF + AF in dB

Assume a receiver reading of 52.0 dB $\mu$ V is obtained. The antenna factor of 7.4 dB and cable factor of 1.6 dB are added. The amplifier gain of 29 dB and average factor of 5 dB are subtracted, giving a field strength of 27 dB $\mu$ V/m. This value in dB $\mu$ V/m was converted to its corresponding level in  $\mu$ V/m.

$$RA = 52.0 \text{ dB}\mu\text{V/m}$$

$$AF = 7.4 \text{ dB}$$

$$CF = 1.6 \text{ dB}$$

$$AG = 29.0 \text{ dB}$$

$$AV = 5.0 \text{ dB}$$

$$FS = RR + LF$$

$$FS = 18 + 9 = 27 \text{ dB}\mu\text{V/m}$$

$$RR = 18.0 \text{ dB}\mu\text{V}$$

$$LF = 9.0 \text{ dB}$$

$$\text{Level in } \mu\text{V/m} = \text{Common Antilogarithm } [(27 \text{ dB}\mu\text{V/m})/20] = 22.4 \mu\text{V/m}$$

## TEST REPORT

### 3.2 Radiated Emission Configuration Photograph

The worst case in radiated emission was found at 2400 MHz

For electronic filing, the worst case radiated emission configuration photographs are saved with filename: radiated photos.pdf.

### 3.3 Radiated Emission Data

The data on the following page lists the significant emission frequencies, the limit and the margin of compliance. Numbers with a minus sign are below the limit.

Judgment: Passed by 9.4 dB



## TEST REPORT

### RADIATED EMISSIONS

Model: FRW24

Date of Test: 06 Dec 2018

Worst-Case Operating Mode: Transmitting

Table 1  
Pursuant to FCC Part 15 Section 15.249 / RSS-210 B10.0 Requirement

#### Lowest Channel

Polarization	Frequency (MHz)	Reading (dBμV)	Pre-Amp Gain (dB)	Antenna Factor (dB)	Net at 3m - Peak (dBμV/m)	Peak Limit at 3m (dBμV/m)	Margin (dB)
H	2402.000	101.8	33	29.4	98.2	114.0	-15.8
<b>H</b>	<b>4804.000</b>	<b>53.4</b>	<b>33</b>	<b>34.9</b>	<b>55.3</b>	<b>74.0</b>	<b>-18.7</b>
H	7206.000	49.7	33	37.9	54.6	74.0	-19.4
H	9608.000	41.1	33	40.4	48.5	74.0	-25.5
<b>V</b>	<b>12010.000</b>	<b>44.4</b>	<b>33</b>	<b>40.5</b>	<b>51.9</b>	<b>74.0</b>	<b>-22.1</b>
V	14412.000	46.0	33	40.0	53.0	74.0	-21.0

Polarization	Frequency (MHz)	Reading (dBμV)	Pre-Amp Gain (dB)	Antenna Factor (dB)	Net at 3m - Average (dBμV/m)	Average Limit at 3m (dBμV/m)	Margin (dB)
H	2402.000	62.0	33	29.4	58.4	94.0	-35.6
<b>H</b>	<b>4804.000</b>	<b>32.2</b>	<b>33</b>	<b>34.9</b>	<b>34.1</b>	<b>54.0</b>	<b>-19.9</b>
H	7206.000	28.7	33	37.9	33.6	54.0	-20.4
H	9608.000	29.6	33	40.4	37.0	54.0	-17.0
<b>V</b>	<b>12010.000</b>	<b>32.9</b>	<b>33</b>	<b>40.5</b>	<b>40.4</b>	<b>54.0</b>	<b>-13.6</b>
V	14412.000	34.4	33	40.0	41.4	54.0	-12.6

- NOTES:
1. Peak Detector Data unless otherwise stated.
  2. Average detector is applied according to ANSI C63.10.
  3. All measurements were made at 3 meters. Harmonic emissions not detected at the 3-meter distances were measured at 0.3-meter and an inverse proportional extrapolation was performed to compare the signal level to the 3-meter limit. No other harmonic emissions than those reported were detected at a test distance of 0.3-meter.
  4. Negative sign in the column shows value below limit.
  5. Horn antenna is used for the emission over 1000MHz.
  6. Emission (the row indicated by **bold italic**) within the restricted band meets the requirement of FCC Part 15 Section 15.205 / RSS-210 4.1.
  7. Measurement Uncertainty is ±5.3dB at a level of confidence of 95%.

**TEST REPORT**

Model: FRW24

Date of Test: 06 Dec 2018

Worst-Case Operating Mode: Transmitting

Table 2  
**Pursuant to FCC Part 15 Section 15.249 / RSS-210 B10.0 Requirement**

Middle Channel

Polarization	Frequency (MHz)	Reading (dBμV)	Pre-Amp Gain (dB)	Antenna Factor (dB)	Net at 3m - Peak (dBμV/m)	Peak Limit at 3m (dBμV/m)	Margin (dB)
H	2440.000	103.4	33	29.4	99.8	114.0	-14.2
<b><i>H</i></b>	<b><i>4880.000</i></b>	<b><i>52.7</i></b>	<b><i>33</i></b>	<b><i>34.9</i></b>	<b><i>54.6</i></b>	<b><i>74.0</i></b>	<b><i>-19.4</i></b>
<b><i>H</i></b>	<b><i>7320.000</i></b>	<b><i>50.6</i></b>	<b><i>33</i></b>	<b><i>37.9</i></b>	<b><i>55.5</i></b>	<b><i>74.0</i></b>	<b><i>-18.5</i></b>
H	9760.000	40.9	33	40.4	48.3	74.0	-25.7
<b><i>V</i></b>	<b><i>12200.000</i></b>	<b><i>44.2</i></b>	<b><i>33</i></b>	<b><i>40.5</i></b>	<b><i>51.7</i></b>	<b><i>74.0</i></b>	<b><i>-22.3</i></b>
V	14640.000	47.5	33	38.4	52.9	74.0	-21.1

Polarization	Frequency (MHz)	Reading (dBμV)	Pre-Amp Gain (dB)	Antenna Factor (dB)	Net at 3m - Average (dBμV/m)	Average Limit at 3m (dBμV/m)	Margin (dB)
H	2440.000	63.2	33	29.4	59.6	94.0	-34.4
<b><i>H</i></b>	<b><i>4880.000</i></b>	<b><i>31.8</i></b>	<b><i>33</i></b>	<b><i>34.9</i></b>	<b><i>33.7</i></b>	<b><i>54.0</i></b>	<b><i>-20.3</i></b>
<b><i>H</i></b>	<b><i>7320.000</i></b>	<b><i>29.5</i></b>	<b><i>33</i></b>	<b><i>37.9</i></b>	<b><i>34.4</i></b>	<b><i>54.0</i></b>	<b><i>-19.6</i></b>
H	9760.000	29.4	33	40.4	36.8	54.0	-17.2
<b><i>V</i></b>	<b><i>12200.000</i></b>	<b><i>32.6</i></b>	<b><i>33</i></b>	<b><i>40.5</i></b>	<b><i>40.1</i></b>	<b><i>54.0</i></b>	<b><i>-13.9</i></b>
V	14640.000	35.9	33	38.4	41.3	54.0	-12.7

- NOTES:
1. Peak Detector Data unless otherwise stated.
  2. Average detector is applied according to ANSI C63.10.
  3. All measurements were made at 3 meters. Harmonic emissions not detected at the 3-meter distances were measured at 0.3-meter and an inverse proportional extrapolation was performed to compare the signal level to the 3-meter limit. No other harmonic emissions than those reported were detected at a test distance of 0.3-meter.
  4. Negative sign in the column shows value below limit.
  5. Horn antenna is used for the emission over 1000MHz.
  6. Emission (the row indicated by bold italic) within the restricted band meets the requirement of FCC Part 15 Section 15.205 / RSS-210 4.1.
  7. Measurement Uncertainty is ±5.3dB at a level of confidence of 95%.

## TEST REPORT

Model: FRW24

Date of Test: 06 Dec 2018

Worst-Case Operating Mode: Transmitting

Table 3  
Pursuant to FCC Part 15 Section 15.249 / RSS-210 B10.0 Requirement

### Highest Channel

Polarization	Frequency (MHz)	Reading (dB $\mu$ V)	Pre-Amp Gain (dB)	Antenna Factor (dB)	Net at 3m - Peak (dB $\mu$ V/m)	Peak Limit at 3m (dB $\mu$ V/m)	Margin (dB)
H	2480.000	104.6	33	29.4	101.0	114.0	-13.0
<b>H</b>	<b>4960.000</b>	<b>50.5</b>	<b>33</b>	<b>34.9</b>	<b>52.4</b>	<b>74.0</b>	<b>-21.6</b>
<b>H</b>	<b>7440.000</b>	<b>51.2</b>	<b>33</b>	<b>37.9</b>	<b>56.1</b>	<b>74.0</b>	<b>-17.9</b>
H	9920.000	40.8	33	40.4	48.2	74.0	-25.8
<b>V</b>	<b>12400.000</b>	<b>44.6</b>	<b>33</b>	<b>40.5</b>	<b>52.1</b>	<b>74.0</b>	<b>-21.9</b>
V	14880.000	47.3	33	38.4	52.7	74.0	-21.3

Polarization	Frequency (MHz)	Reading (dB $\mu$ V)	Pre-Amp Gain (dB)	Antenna Factor (dB)	Net at 3m - Average (dB $\mu$ V/m)	Average Limit at 3m (dB $\mu$ V/m)	Margin (dB)
H	2480.000	64.5	33	29.4	60.9	94.0	-33.1
<b>H</b>	<b>4960.000</b>	<b>30.8</b>	<b>33</b>	<b>34.9</b>	<b>32.7</b>	<b>54.0</b>	<b>-21.3</b>
<b>H</b>	<b>7440.000</b>	<b>30.0</b>	<b>33</b>	<b>37.9</b>	<b>34.9</b>	<b>54.0</b>	<b>-19.1</b>
H	9920.000	29.4	33	40.4	36.8	54.0	-17.2
<b>V</b>	<b>12400.000</b>	<b>32.9</b>	<b>33</b>	<b>40.5</b>	<b>40.4</b>	<b>54.0</b>	<b>-13.6</b>
V	14880.000	35.6	33	38.4	41.0	54.0	-13.0

- NOTES:
1. Peak Detector Data unless otherwise stated.
  2. Average detector is applied according to ANSI C63.10.
  3. All measurements were made at 3 meters. Harmonic emissions not detected at the 3-meter distances were measured at 0.3-meter and an inverse proportional extrapolation was performed to compare the signal level to the 3-meter limit. No other harmonic emissions than those reported were detected at a test distance of 0.3-meter.
  4. Negative sign in the column shows value below limit.
  5. Horn antenna is used for the emission over 1000MHz.
  6. Emission (the row indicated by **bold italic**) within the restricted band meets the requirement of FCC Part 15 Section 15.205 / RSS-210 4.1.
  7. Measurement Uncertainty is  $\pm 5.3$ dB at a level of confidence of 95%.

## TEST REPORT

### 4.0 EQUIPMENT PHOTOGRAPHS

For electronic filing, the photographs are saved with filename: external photos.pdf and internal photos.pdf.

### 5.0 PRODUCT LABELLING

For electronics filing, the FCC ID label artwork and the label location are saved with filename: label.pdf.

### 6.0 TECHNICAL SPECIFICATIONS

For electronic filing, the block diagram and schematic of the tested EUT are saved with filename: block.pdf and circuit.pdf respectively.

### 7.0 INSTRUCTION MANUAL

For electronic filing, a preliminary copy of the Instruction Manual is saved with filename: manual.pdf.

This manual will be provided to the end-user with each unit sold/leased in the United States and Canada.

## TEST REPORT

### 8.0 MISCELLANEOUS INFORMATION

The miscellaneous information includes details of the test procedure and measured bandwidth.

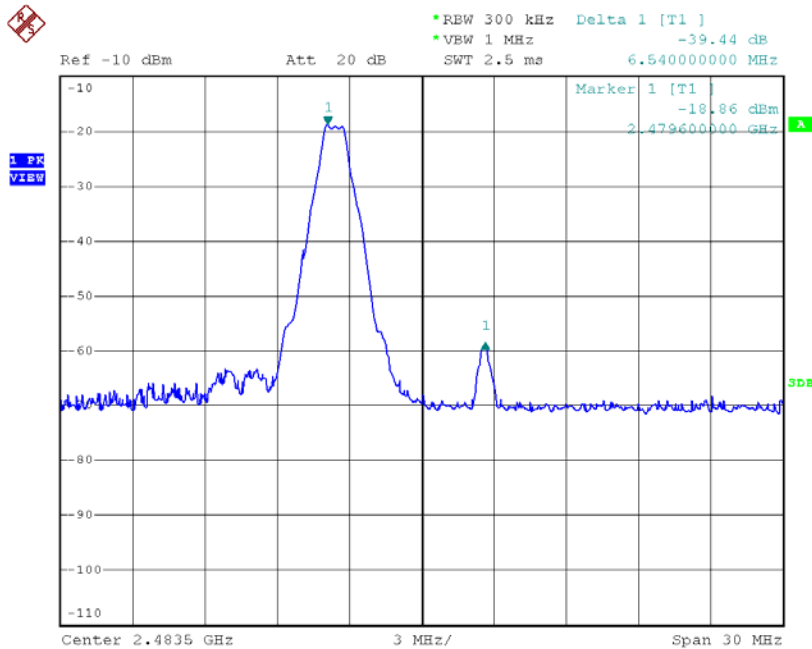
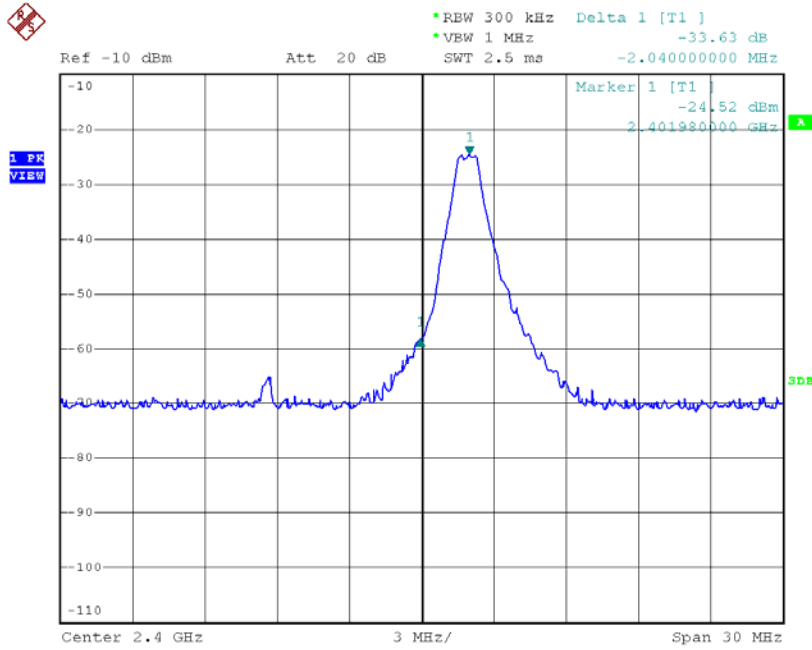
#### 8.1 Radiated Emission on the Bandedge

From the following plots, they show that the fundamental emissions are confined in the specified band (2400MHz to 2483.5MHz). In case of the fundamental emissions are within two standard bandwidths from the bandedge, the delta measurement technique is used for determining bandedge compliance. Standard bandwidth is the bandwidth specified by ANSI C63.10 (2013) for frequency being measured.

Emissions radiated outside of the specified frequency bands, except harmonics, are attenuated by 50dB below the level of the fundamental or to the general radiated emissions limits in Section 15.209 / RSS-210 4.4, whichever is the lesser attenuation, which meet the requirement of part 15.249(d) / RSS-210 B.10.

**TEST REPORT**

**PEAK MEASUREMENT**



## TEST REPORT

### PEAK MEASUREMENT

Bandedge compliance is determined by applying marker-delta method, i.e. (Bandedge Plot).

Lower bandedge

Peak Resultant field strength = Fundamental emissions (peak value) – delta from the plot

=98.2 dB $\mu$ V/m – 33.6 dB

=64.6 dB $\mu$ V/m

Average Resultant field strength = Fundamental emissions (average value) – delta from the plot

=58.4 dB $\mu$ V/m - 33.6 dB

=24.8 dB $\mu$ V/m

Upper bandedge

Peak Resultant field strength = Fundamental emissions (peak value) – delta from the plot

=101.0 dB $\mu$ V/m – 39.4 dB

=61.6 dB $\mu$ V/m

Average Resultant field strength = Fundamental emissions (average value) – delta from the plot

=60.9 dB $\mu$ V/m – 39.4 dB

=21.5 dB $\mu$ V/m

The resultant field strength meets the general radiated emission limit in Section 15.209 / RSS-210 4.4, which does not exceed 74 dB $\mu$ V/m (Peak Limit) and 54 dB $\mu$ V/m (Average Limit).

## TEST REPORT

### 8.2 Emissions Test Procedures

The following is a description of the test procedure used by Intertek Testing Services Hong Kong Ltd. in the measurements of transmitter operating under the Part 15, Subpart C rules.

The transmitting equipment under test (EUT) is placed on a wooden turntable which is four feet in diameter and approximately 0.8m in height above the ground plane for emission measurement at or below 1GHz and 1.5m in height above the ground plane for emission measurement above 1GHz. During the radiated emissions test, the turntable is rotated and any cables leaving the EUT are manipulated to find the configuration resulting in maximum emissions. The EUT is adjusted through all three orthogonal axes to obtain maximum emission levels. The antenna height and polarization are also varied during the testing to search for maximum signal levels. The height of the antenna is varied from one to four meters.

Detector function for radiated emissions is in peak mode. Average readings, when required, are taken by measuring the duty cycle of the equipment under test and subtracting the corresponding amount in dB from the measured peak readings. A detailed description for the calculation of the average factor can be found in Exhibit 8.3.

The frequency range scanned is from the lowest radio frequency signal generated in the device which is greater than 9 kHz to the tenth harmonic of the highest fundamental frequency or 40 GHz, whichever is lower.



## TEST REPORT

### 8.2 Emissions Test Procedures (cont'd)

The EUT is warmed up for 15 minutes prior to the test.

AC power to the unit is varied from 85% to 115% nominal and variation in the fundamental emission field strength is recorded. If battery powered, a new, fully charged battery is used.

Conducted measurements were made as described in ANSI C63.10 (2013).

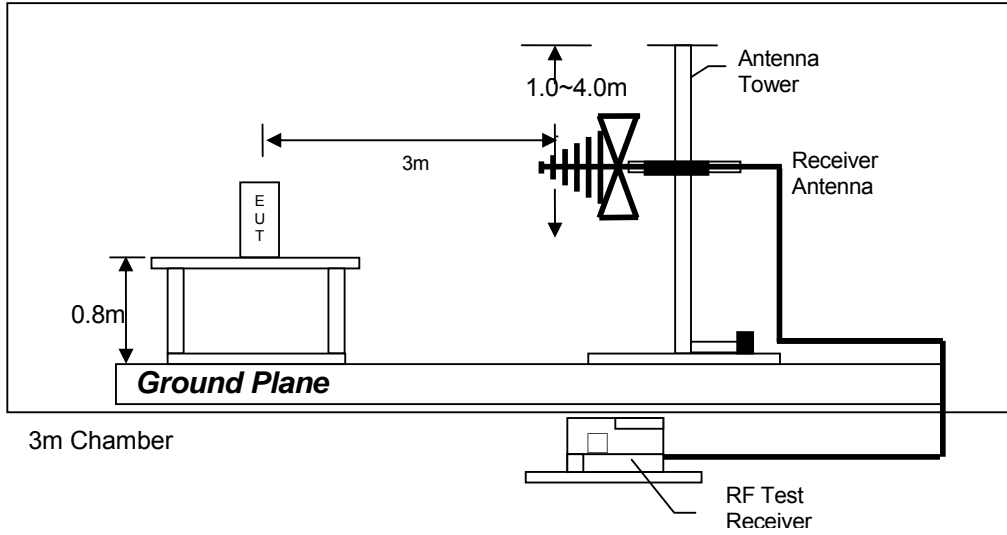
The IF bandwidth used for measurement of radiated signal strength was 100 kHz or greater when frequency is below 1000 MHz. Where pulsed transmissions of short enough pulse duration warrant, a greater bandwidth is selected according to the recommendations of Hewlett Packard Application Note 150-2. A discussion of whether pulse desensitvity is applicable to this unit is included in this report (See Exhibit 8.1). Above 1000 MHz, a resolution bandwidth of 3 MHz is used.

Transmitter measurements are normally conducted at a measurement distance of three meters. However, to assure low enough noise floor in the forbidden bands and above 1 GHz, signals are acquired at a distance of one meter or less. All measurements are extrapolated to three meters using inverse scaling, unless otherwise reported. Measurements taken at a closer distance are so marked.

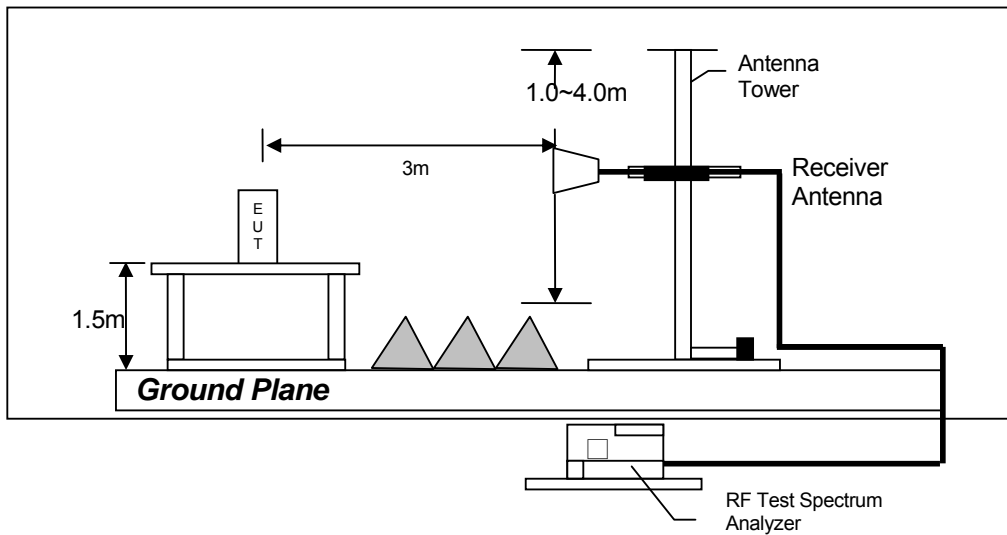
## TEST REPORT

### 8.2.1 Radiated Emission Test Setup

The figure below shows the test setup, which is utilized to make these measurements.



Test setup of radiated emissions up to 1GHz



Test setup of radiated emissions above 1GHz

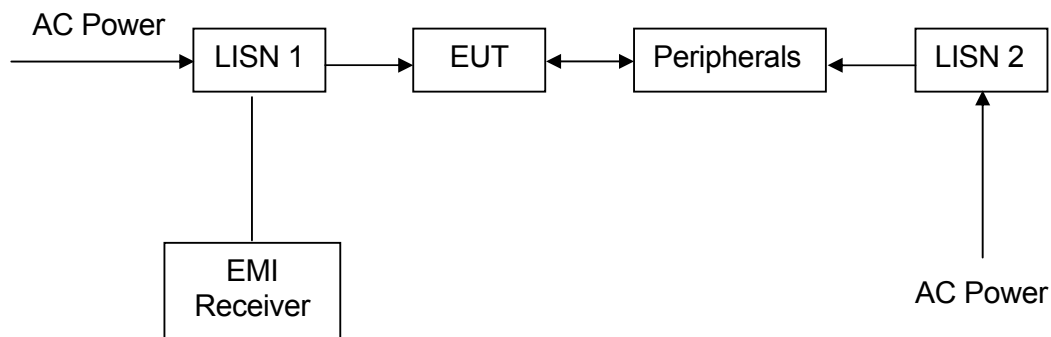
## TEST REPORT

### 8.2.2 Conducted Emission Test Procedures

For tabletop equipment, the EUT along with its peripherals were placed on a 1.0m(W)×1.5m(L) and 0.8m in height wooden table. For floor-standing equipment, the EUT and all cables were insulated, if required, from the ground plane by up to 12 mm of insulating material. The EUT was adjusted to maintain a 0.4 meters space from a vertical reference plane. The EUT was connected to power mains through a line impedance stabilization network (LISN), which provided 50 ohm coupling impedance for measuring instrument and the chassis ground was bounded to the horizontal ground plane of shielded room. The excess power cable between the EUT and the LISN was bundled.

All connecting cables of EUT and peripherals were moved to find the maximum emission.

### 8.2.3 Conducted Emission Test Setup



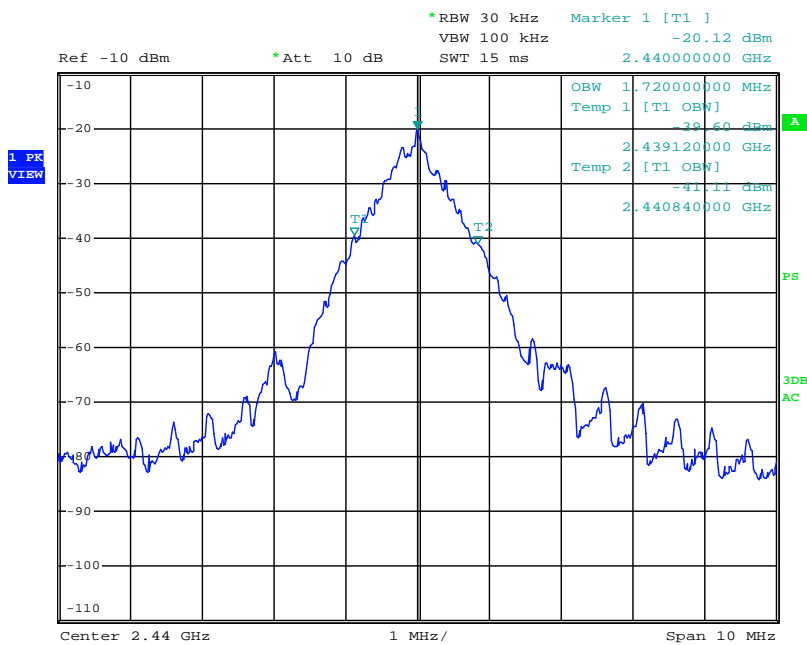
## TEST REPORT

### 8.3 Occupied Bandwidth

Occupied Bandwidth Results:

Bluetooth (MHz)	Occupied Bandwidth (MHz)
Low Channel: 2402	1.72
Middle Channel: 2440	1.72
High Channel: 2480	1.66

The worst case is shown as below



## TEST REPORT

### 9.0 CONFIDENTIALITY REQUEST

For electronic filing, a preliminary copy of the confidentiality request is saved with filename: request.pdf.

### 10.0 EQUIPMENT LIST

#### 1) Radiated Emissions Test

Equipment	EMI Test Receiver	Spectrum Analyzer	Biconical Antenna
Registration No.	EW-2666	EW-2425	EW-0571
Manufacturer	ROHDESCHWARZ	ROHDESCHWARZ	EMCO
Model No.	ESCI7	FSP3	3104C
Calibration Date	August 28, 2018	August 17, 2018	February 27, 2018
Calibration Due Date	August 28, 2019	August 17, 2019	August 27, 2019

Equipment	Log Periodic Antenna	Double Ridged Guide Antenna	14m Double Shield RF Cable (20MHz - 6GHz)
Registration No.	EW-1042	EW-0194	EW-2074
Manufacturer	EMCO	EMCO	RADIALL
Model No.	3148	3115	Nm-RG142-
Calibration Date	June 19, 2017	March 14, 2018	March 27, 2018
Calibration Due Date	December 19, 2018	September 14, 2019	March 27, 2019

Equipment	RF Cable 14m (1GHz to 26.5GHz)	Solid State Low Noise Pre-amplifier Assembly (1 - 18)GHz	RF Pre-amplifier 3 pcs (9kHz to 40GHz)
Registration No.	EW-2781	EW-3229	EW-3006
Manufacturer	GREATBILLION	BONN ELEKTRO	SCHWARZBECK
Model No.	SMA m/SHF5MPU /SMA m ra14m,26G	BLMA 0118-5G	BBV 9718
Calibration Date	October 27, 2018	January 30, 2018	April 26, 2018
Calibration Due Date	October 27, 2019	January 30, 2019	April 26, 2019

Equipment	Active Loop H-field (9kHz to 30MHz)	Notch Filter (cutoff frequency 2.4GHz to 2.5GHz)	Pyramidal Horn Antenna
Registration No.	EW-2313	EW-2213	EW-0905
Manufacturer	ELECTROMETRI	MICROTRONICS	EMCO
Model No.	EM-6876	BRM50701-02	3160-09
Calibration Date	March 08, 2018	May 24, 2018	August 18, 2017
Calibration Due Date	September 08, 2019	May 24, 2019	February 18, 2019

## TEST REPORT

### 2) Bandedge Measurement

<b>Equipment</b>	<b>RF Cable (up to 40GHz) 1.5m length</b>	<b>Spectrum Analyzer</b>
Registration No.	EW-3104	EW-2249
Manufacturer	N/A	R&S
Model No.	SMA-M to SMA-M	FSP30
Calibration Date	July 03, 2018	May 17, 2018
Calibration Due Date	July 03, 2019	May 17, 2019

**END OF TEST REPORT**