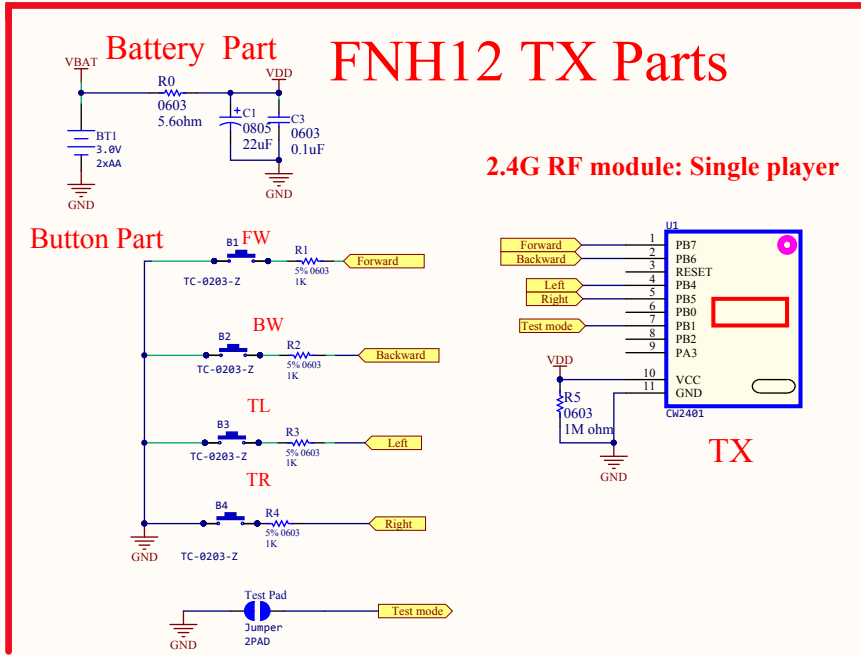


Standard Common part for master
Capacitor
(1st priority)

BAT 6xAA

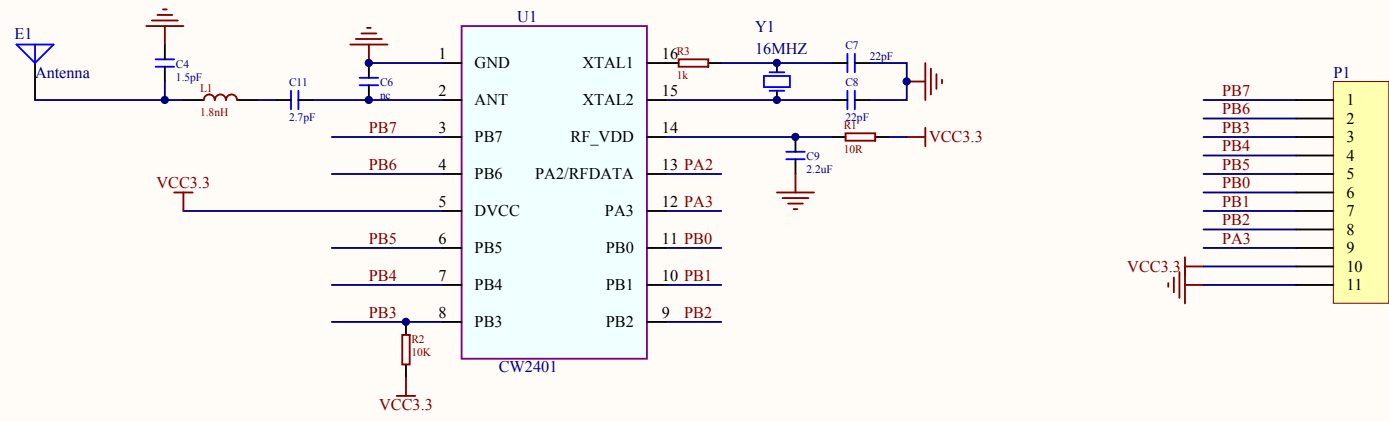


IC information:

History

REV.	DESCRIPTION	DATE	Drawn by
R0	First Release: Rx Tank driver	2017/1/16	Johnson
R3	Remove Sound and 5th button on TX	2017/1/16	Johnson
R3A	Add 3rd motor to eject the driver seat	2017/3/28	Johnson
R4	Remove 3rd button on TX	2017/3/31	Johnson
R5	Change ON/OFF switch discharge	2017/7/7	Johnson

File :



Title		
Size	Number	Revision
A4		
Date:	2017/12/1	Sheet of
File:	F:\GIN\CW2401\Module.SchDoc	Drawn By: