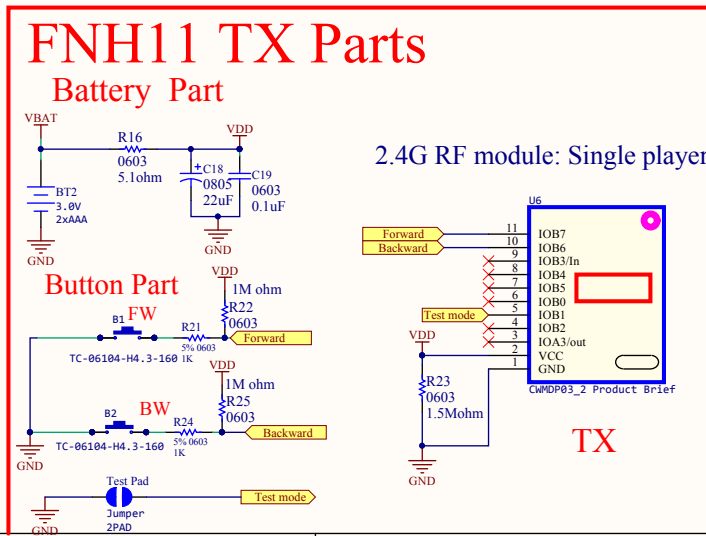


### Standard Common part for master

Capacitor (1st priority)	
No:	Part Value
1	10PF chip 50v +80-20% SMD 0603
2	20pF chip 50v +80-20% SMD 0603
3	25pF chip 50v +80-20% SMD 0603
4	1000pF chip 50v +80-20% SMD 0603
5	0.1uF chip 50V +80-20% Y5V, 50V SMD0603 0.1uF 25V +80-20% Y5V, PKG: Ceramic dia 6mm x 3.5
6	0.033uF 25V, Y5V, PKG: dia 4mm x 3.5
7	10uF 25V +/-20% AL EL PKG: 5x11mm
8	47uF 25V +/-20% AL EL PKG: 5x11mm
9	100uF 25V +/-20% AL EL PKG: 5x11mm
10	220uF 25V +/-20% AL EL PKG: 5x11mm
Resistor:	
1	10 ohm +/-5% 0603
2	100 ohm +/-5% 0603
3	1K ohm +/-5% 0603
4	4.7Kohm +/-5% 0603
5	10k ohm +/-5% 0603
6	47k ohm +/-5% 0603
7	100kohm +/-5% 0603
8	220k ohm +/-5% 0603
9	1M ohm +/-5% 0603
10	2.2M ohm +/-5% 0603
Diode:	
1	IN4001PKG: DO-41 50V
2	IN4148 PKG: DO-35 50V
3	IN5817: DO-41 50V
4	BAT54 SOT23 30V
Transistor	
1	S8050NPN ( 1.5A )SOT-23.V: 40; W: 0.3;
2	S8550D PNP(1.5A )SOT-23.V: 40; W: 0.3;
3	S9014D NPN (1.5A )SOT-23.V: 40; W: 0.3;
4	B772 PNP A: 3; V: 40; Max. W: 1.25; PKG: TO-126;
5	D882 NPN A: 3; V: 40; Max. W: 1.25; PKG: TO-126;
Inductor	
1	Choke Coil DESC: 5.6uH 10% 1/2W
PTC	
1	MF-R400-0-99

2.4G RF module: Single player



2.4G RF module: Single player

Non Standard parts Guide Line (2nd priority)  
Using E3 value for resistor, capacitor and inductor  
Standard IEC E3 Decade Value = 100, 220 & 470  
Non Standard parts Guide Line (3rd priority)  
Using E6 value for resistor, capacitor and inductor  
Standard IEC E6 Decade value = 100, 150, 220, 330, 470 & 680

TEST MODE:  
If PCBA test mode is pressed, BP00 output 1kton

REMARKS:

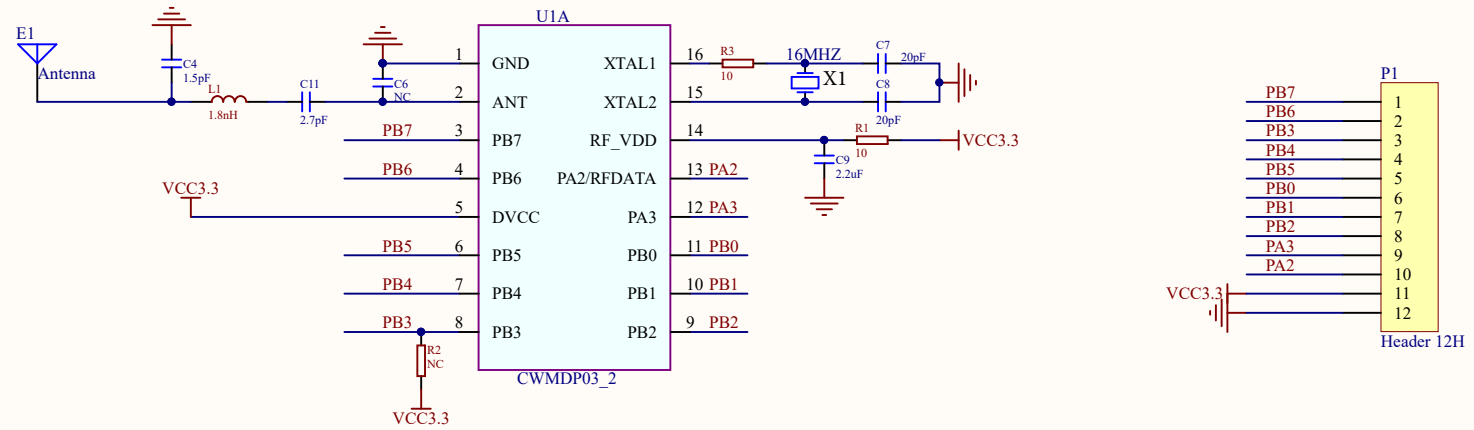
IC information:

REV.	DESCRIPTION	DATE	Drawn by
R1	First Release: Rx Tank driver	2017/1/11	Dannis
R5	First Release: Rx Tank driver	2017/2/28	Dannis
R6	changed IC MCU only	2017/03/08	Dannis
R13	2nd mask IC code	2017/08/11	Dannis



Size	Number	Project Name	Revision
A3	FNH11	JW Gyrosphere	R13
MAPS Engineer: [Redacted] Danis		Sheet of	
Date	File : \APHENM06A\Exec Eng\HG EE team\Project\2018\2018 Spring\MB-Entertainment\FNH11\BOM & Circuit\FNH11.RX.TX.sch		
2017/9/27			

2410.2-2460.2MHz



Title		
Size	Number	Revision
A4		
Date:	2017/10/9	Sheet of
File:	C:\工作\metan\CWMDP03.SchDoc	Drawn By: