

TEST REPORT

Report No.: 17080306HKG-002R1

Mattel Asia Pacific Sourcing Ltd.

Application For Certification
(Original Grant)

FCC ID: PIYFGN8417W

Transceiver – Bluetooth portion

This report supersedes previous report with report number 17080306HKG-002 dated August 17, 2017.
Please refer TY-S17-0322 Letter issued on September 27, 2017 for amendment/ supersede notification.

PREPARED AND CHECKED BY:

APPROVED BY:

Signed On File
Lok Chi Hang, Wil
Engineer

Wong Kwok Yeung, Kenneth
Senior Lead Engineer
Date: September 27, 2017

Intertek's standard Terms and Conditions can be obtained at our website <http://www.intertek.com/terms/>.

The test report only allows to be revised within the retention period unless further standard or the requirement was noticed

This report is for the exclusive use of Intertek's Client and is provided pursuant to the agreement between Intertek and its Client. Intertek's responsibility and liability are limited to the terms and conditions of the agreement. Intertek assumes no liability to any party, other than to the Client in accordance with the agreement, for any loss, expense or damage occasioned by the use of this report. Only the Client is authorized to permit copying or distribution of this report and then only in its entirety. Any use of the Intertek name or one of its marks for the sale or advertisement of the tested material, product or service must first be approved in writing by Intertek. The observations and test results in this report are relevant only to the sample tested. This report by itself does not imply that the material, product, or service is or has ever been under an Intertek certification program.

© 2017 Intertek

TEST REPORT**GENERAL INFORMATION**

Grantee:	Mattel Asia Pacific Sourcing Ltd.
Grantee Address:	13/F., South Tower, World Finance Centre, Harbour City, Tsim Sha Tsui, Kowloon, Hong Kong.
Contact Person:	Joule Mak
Tel:	3185 5000
Fax:	N/A
e-mail:	N/A
Manufacturer:	Mattel Asia Pacific Sourcing Ltd.
Manufacturer Address:	13/F., South Tower, World Finance Centre, Harbour City, Tsim Sha Tsui, Kowloon, Hong Kong.
Brand Name:	Hello Barbie Hologram
Model:	FGN84
Type of EUT:	Transceiver
Description of EUT:	Hello Barbie Hologram
Serial Number:	N/A
FCC ID:	PIYFGN8417W
Date of Sample Submitted:	August 04, 2017
Date of Test:	August 04, 2017 to August 16, 2017
Report No.:	17080306HKG-002R1
Report Date:	September 27, 2017
Environmental Conditions:	Temperature: +10 to 40°C Humidity: 10 to 90%

TEST REPORT

SUMMARY OF TEST RESULT

TEST SPECIFICATION	REFERENCE	RESULTS
Radiated Emission	15.249, 15.209	Pass
Radiated Emission on the Bandedge		
Radiated Emission in Restricted Bands	15.205	Pass

The equipment under test is found to be complying with the following standards:
FCC Part 15, October 1, 2015 Edition

- Note:
1. The EUT uses a permanently attached antenna which, in accordance to section 15.203, is considered sufficient to comply with the pervisions of this section.
 2. Pursuant to FCC part 15 Section 15.215(c), the 20 dB bandwidth of the emission was contained within the frequency band designated (mentioned as above) which the EUT operated. The effects, if any, from frequency sweeping, frequency hopping, other modulation techniques and frequency stability over excepted variations in temperature and supply voltage were considered.

TEST REPORT

TABLE OF CONTENTS

1.0 GENERAL DESCRIPTION 5

1.1 Product Description 5

1.2 Related Submittal(s) Grants 5

1.3 Test Methodology 5

1.4 Test Facility 5

2.0 SYSTEM TEST CONFIGURATION 6

2.1 Justification 6

2.2 EUT Exercising Software 6

2.3 Special Accessories 6

2.4 Measurement Uncertainty 6

2.5 Support Equipment List and Description 6

3.0 EMISSION RESULTS 7

3.1 Field Strength Calculation 7

3.2 Radiated Emission Configuration Photograph 8

3.3 Radiated Emission Data 8

3.4 Conducted Emission Configuration Photograph 8

3.5 Conducted Emission Data 8

4.0 EQUIPMENT PHOTOGRAPHS 14

5.0 PRODUCT LABELLING 14

6.0 TECHNICAL SPECIFICATIONS 14

7.0 INSTRUCTION MANUAL 14

8.0 MISCELLANEOUS INFORMATION 15

8.1 Radiated Emission on the Bandedge 15

8.2 Discussion of Pulse Desensitization 18

8.3 Calculation of Average Factor 18

8.4 Emissions Test Procedures 19

9.0 CONFIDENTIALITY REQUEST 23

10.0 EQUIPMENT LIST 23

TEST REPORT

1.0 GENERAL DESCRIPTION

1.1 Product Description

The Equipment Under Test (EUT) is a portable 2.4GHz WiFi and 2.4GHz Bluetooth Ver.4.2 without LE Barbie House operated at 2412-2462MHz with 5MHz Channel Spacing (WiFi) and 2402-2480MHz with 1MHz channel spacing. The EUT is powered by 1 X 3.7V rechargeable battery and 120VAC 50/60Hz Adaptor. After switch on the EUT and paired with Phone Device with Phone Application through Wifi, the EUT can be connected to Cloud server. By giving voice command, the EUT can be controlled to play music through Bluetooth.

Antenna Type: Internal, Integral

For electronic filing, the brief circuit description is saved with filename: descri.pdf.

1.2 Related Submittal(s) Grants

This is a single application for certification of a transceiver – Bluetooth portion.

1.3 Test Methodology

Both AC mains line-conducted and Radiated emission measurements were performed according to the procedures in ANSI C63.10 (2013). All radiated measurements were performed in an 3m Chamber. Preliminary scans were performed in the 3m Chamber only to determine worst case modes. All radiated tests were performed at an antenna to EUT distance of 3 meters, unless stated otherwise in the “**Justification Section**” of this Application.

1.4 Test Facility

The 3m Chamber and conducted measurement facility used to collect the radiated data is located at Workshop No. 3, G/F., World-Wide Industrial Centre, 43-47 Shan Mei Street, Fo Tan, Sha Tin, N.T., Hong Kong. This test facility and site measurement data have been placed on file with the FCC.

TEST REPORT

2.0 SYSTEM TEST CONFIGURATION

2.1 Justification

The system was configured for testing in a typical fashion (as a customer would normally use it), and in the confines as outlined in ANSI C63.10 (2013).

The device was powered by 1 x 3.7V rechargeable battery.

For maximizing emissions, the EUT was rotated through 360°, the antenna height was varied from 1 meter to 4 meters above the ground plane, and the antenna polarization was changed. This step by step procedure for maximizing emissions led to the data reported in Exhibit 3.0.

The unit was operated standalone and placed in the center of the turntable.

The equipment under test (EUT) was configured for testing in a typical fashion (as a customer would normally use it). The EUT was mounted to a plastic stand if necessary and placed on the wooden turntable, which enabled the engineer to maximize emissions through its placement in the three orthogonal axes.

2.2 EUT Exercising Software

There was no special software to exercise the device. Once the unit is powered up, it transmits the RF signal continuously.

2.3 Special Accessories

There are no special accessories necessary for compliance of this product.

2.4 Measurement Uncertainty

When determining of the test conclusion, the Measurement Uncertainty of test has been considered.

Uncertainty and Compliance - Unless the standard specifically states that measured values are to be extended by the measurement uncertainty in determining compliance, all compliance determinations are based on the actual measured value.

2.5 Support Equipment List and Description

N/A.

TEST REPORT

3.0 EMISSION RESULTS

Data is included of the worst case configuration (the configuration which resulted in the highest emission levels). A sample calculation, configuration photographs and data tables of the emissions are included.

3.1 Field Strength Calculation

The field strength is calculated by adding the Antenna Factor and Cable Factor, and subtracting the Amplifier Gain (if any), Average Factor (optional) from the measured reading. The basic equation with a sample calculation is as follows:

$$FS = RA + AF + CF - AG - AV$$

where FS = Field Strength in dB μ V/m

RA = Receiver Amplitude (including preamplifier) in dB μ V

CF = Cable Attenuation Factor in dB

AF = Antenna Factor in dB

AG = Amplifier Gain in dB

AV = Average Factor in dB

In the following table(s), the reading shown on the data table reflects the preamplifier gain. An example for the calculations in the following table is as follows:

$$FS = RR + LF$$

where FS = Field Strength in dB μ V/m

RR = RA - AG - AV in dB μ V

LF = CF + AF in dB

Assume a receiver reading of 52.0 dB μ V is obtained. The antenna factor of 7.4 dB and cable factor of 1.6 dB are added. The amplifier gain of 29 dB and average factor of 5 dB are subtracted, giving a field strength of 27 dB μ V/m. This value in dB μ V/m was converted to its corresponding level in μ V/m.

$$RA = 52.0 \text{ dB}\mu\text{V/m}$$

$$AF = 7.4 \text{ dB}$$

$$CF = 1.6 \text{ dB}$$

$$AG = 29.0 \text{ dB}$$

$$AV = 5.0 \text{ dB}$$

$$FS = RR + LF$$

$$FS = 18 + 9 = 27 \text{ dB}\mu\text{V/m}$$

$$RR = 18.0 \text{ dB}\mu\text{V}$$

$$LF = 9.0 \text{ dB}$$

$$\text{Level in } \mu\text{V/m} = \text{Common Antilogarithm } [(27 \text{ dB}\mu\text{V/m})/20] = 22.4 \mu\text{V/m}$$

TEST REPORT

3.2 Radiated Emission Configuration Photograph

The worst case in radiated emission was found at 31.508 MHz

For electronic filing, the worst case radiated emission configuration photographs are saved with filename: radiated photos.pdf.

3.3 Radiated Emission Data

The data on the following page lists the significant emission frequencies, the limit and the margin of compliance. Numbers with a minus sign are below the limit.

Judgment: Passed by 0.5 dB

3.4 Conducted Emission Configuration Photograph

The worst case in line-conducted emission was found at 195 kHz

For electronic filing, the worst case line-conducted configuration photographs are saved with filename: conducted photo.pdf.

3.5 Conducted Emission Data

For electronic filing, the graph and data table of conducted emission is saved with filename: conducted.pdf.

Judgment: Pass by 14.55 dB

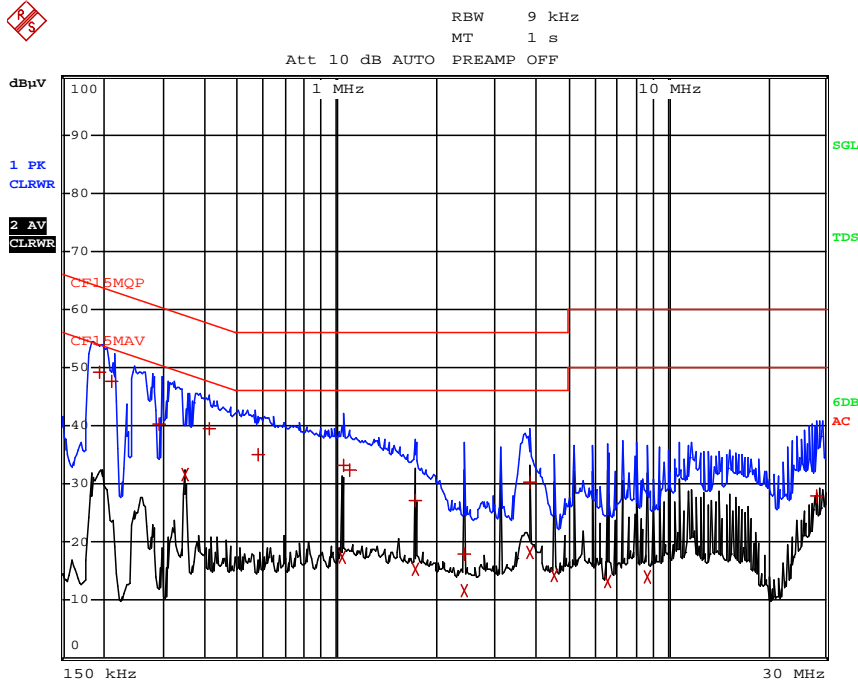
TEST REPORT

CONDUCTED EMISSION

Model: FGN84

Date of Test: August 16, 2017

Worst-Case Operating Mode: Transmitting



EDIT PEAK LIST (Final Measurement Results)				
Trace1:	CF15MQP			
Trace2:	CF15MAV			
Trace3:	---			
TRACE	FREQUENCY	LEVEL dBuV		DELTA LIMIT dB
1 Quasi Peak	195 kHz	49.26 L1		-14.55
1 Quasi Peak	213 kHz	47.72 L1		-15.35
1 Quasi Peak	294 kHz	40.19 L1		-20.22
2 CISPR Average	348 kHz	31.72 N		-17.28
1 Quasi Peak	411 kHz	39.41 L1		-18.21
1 Quasi Peak	577.5 kHz	34.97 N		-21.02
2 CISPR Average	1.041 MHz	17.34 L1		-28.65
1 Quasi Peak	1.0455 MHz	33.16 L1		-22.83
1 Quasi Peak	1.0995 MHz	32.42 L1		-23.57
1 Quasi Peak	1.7385 MHz	27.28 N		-28.71
2 CISPR Average	1.7385 MHz	15.38 N		-30.61
1 Quasi Peak	2.436 MHz	18.05 N		-37.94
2 CISPR Average	2.436 MHz	11.69 L1		-34.30
1 Quasi Peak	3.8265 MHz	30.30 N		-25.69
2 CISPR Average	3.8265 MHz	18.14 L1		-27.85
2 CISPR Average	4.5285 MHz	14.30 N		-31.70
2 CISPR Average	6.621 MHz	13.20 N		-36.79
2 CISPR Average	8.709 MHz	14.16 L1		-35.83
1 Quasi Peak	28.023 MHz	28.01 L1		-31.98

Note: Measurement Uncertainty is ± 4.2 dB at a level of confidence of 95%.

TEST REPORT

RADIATED EMISSIONS

Model: FGN84

Date of Test: August 16, 2017

Worst-Case Operating Mode: Transmitting

Table 1
Pursuant to FCC Part 15 Section 15.249 Requirement

Lowest Channel

Polarization	Frequency (MHz)	Reading (dBμV)	Pre-Amp Gain (dB)	Antenna Factor (dB)	Net at 3m - Peak (dBμV/m)	Average Factor (dB)	Calculated at 3m (dBμV/m)	Average Limit at 3m (dBμV/m)	Margin (dB)
H	2402.000	97.8	33	29.4	94.2	24	70.2	94.0	-23.8
H	4804.000	42.4	33	34.9	44.3	24	20.3	54.0	-33.7
H	7206.000	40.3	33	37.9	45.2	24	21.2	54.0	-32.8
H	9608.000	40.7	33	40.4	48.1	24	24.1	54.0	-29.9
H	12010.000	43.9	33	40.5	51.4	24	27.4	54.0	-26.6
H	14412.000	45.5	33	40.0	52.5	24	28.5	54.0	-25.5

Polarization	Frequency (MHz)	Reading (dBμV)	Pre-Amp Gain (dB)	Antenna Factor (dB)	Net at 3m - Peak (dBμV/m)	Peak Limit at 3m (dBμV/m)	Margin (dB)
H	2402.000	97.8	33	29.4	94.2	114.0	-19.8
H	4804.000	42.4	33	34.9	44.3	74.0	-29.7
H	7206.000	40.3	33	37.9	45.2	74.0	-28.8
H	9608.000	40.7	33	40.4	48.1	74.0	-25.9
H	12010.000	43.9	33	40.5	51.4	74.0	-22.6
H	14412.000	45.5	33	40.0	52.5	74.0	-21.5

- NOTES:
1. Peak Detector Data unless otherwise stated.
 2. All measurements were made at 3 meters. Harmonic emissions not detected at the 3-meter distances were measured at 0.3-meter and an inverse proportional extrapolation was performed to compare the signal level to the 3-meter limit. No other harmonic emissions than those reported were detected at a test distance of 0.3-meter.
 3. Negative sign in the column shows value below limit.
 4. Horn antenna is used for the emission over 1000MHz.
 5. Emission (the row indicated by **bold italic**) within the restricted band meets the requirement of FCC Part 15 Section 15.205.
 6. Measurement Uncertainty is ±5.3dB at a level of confidence of 95%.

TEST REPORT

Model: FGN84

Date of Test: August 16, 2017

Worst-Case Operating Mode: Transmitting

Table 2
Pursuant to FCC Part 15 Section 15.249 Requirement

Middle Channel

Polarization	Frequency (MHz)	Reading (dBµV)	Pre-Amp Gain (dB)	Antenna Factor (dB)	Net at 3m - Peak (dBµV/m)	Average Factor (dB)	Calculated at 3m (dBµV/m)	Average Limit at 3m (dBµV/m)	Margin (dB)
H	2440.000	96.4	33	29.4	92.8	24	68.8	94.0	-25.2
H	4880.000	42.2	33	34.9	44.1	24	20.1	54.0	-33.9
H	7320.000	40.4	33	37.9	45.3	24	21.3	54.0	-32.7
H	9760.000	41.0	33	40.4	48.4	24	24.4	54.0	-29.6
H	12200.000	43.7	33	40.5	51.2	24	27.2	54.0	-26.8
H	14640.000	46.9	33	38.4	52.3	24	28.3	54.0	-25.7

Polarization	Frequency (MHz)	Reading (dBµV)	Pre-Amp Gain (dB)	Antenna Factor (dB)	Net at 3m - Peak (dBµV/m)	Peak Limit at 3m (dBµV/m)	Margin (dB)
H	2440.000	96.4	33	29.4	92.8	114.0	-21.2
H	4880.000	42.2	33	34.9	44.1	74.0	-29.9
H	7320.000	40.4	33	37.9	45.3	74.0	-28.7
H	9760.000	41.0	33	40.4	48.4	74.0	-25.6
H	12200.000	43.7	33	40.5	51.2	74.0	-22.8
H	14640.000	46.9	33	38.4	52.3	74.0	-21.7

- NOTES:
1. Peak Detector Data unless otherwise stated.
 2. All measurements were made at 3 meters. Harmonic emissions not detected at the 3-meter distances were measured at 0.3-meter and an inverse proportional extrapolation was performed to compare the signal level to the 3-meter limit. No other harmonic emissions than those reported were detected at a test distance of 0.3-meter.
 3. Negative sign in the column shows value below limit.
 4. Horn antenna is used for the emission over 1000MHz.
 5. Emission (the row indicated by **bold italic**) within the restricted band meets the requirement of FCC Part 15 Section 15.205.
 6. Measurement Uncertainty is ± 5.3 dB at a level of confidence of 95%.

TEST REPORT

Model: FGN84
Date of Test: August 16, 2017
Worst-Case Operating Mode: Transmitting

**Table 3
Pursuant to FCC Part 15 Section 15.249 Requirement**

Highest Channel

Polarization	Frequency (MHz)	Reading (dBµV)	Pre-Amp Gain (dB)	Antenna Factor (dB)	Net at 3m - Peak (dBµV/m)	Average Factor (dB)	Calculated at 3m (dBµV/m)	Average Limit at 3m (dBµV/m)	Margin (dB)
H	2480.000	94.8	33	29.4	91.2	24	67.2	94.0	-26.8
H	4960.000	42.1	33	34.9	44.0	24	20.0	54.0	-34.0
H	7440.000	40.2	33	37.9	45.1	24	21.1	54.0	-32.9
H	9920.000	40.6	33	40.4	48.0	24	24.0	54.0	-30.0
H	12400.000	43.9	33	40.5	51.4	24	27.4	54.0	-26.6
H	14880.000	47.0	33	38.4	52.4	24	28.4	54.0	-25.6

Polarization	Frequency (MHz)	Reading (dBµV)	Pre-Amp Gain (dB)	Antenna Factor (dB)	Net at 3m - Peak (dBµV/m)	Peak Limit at 3m (dBµV/m)	Margin (dB)
H	2480.000	94.8	33	29.4	91.2	114.0	-22.8
H	4960.000	42.1	33	34.9	44.0	74.0	-30.0
H	7440.000	40.2	33	37.9	45.1	74.0	-28.9
H	9920.000	40.6	33	40.4	48.0	74.0	-26.0
H	12400.000	43.9	33	40.5	51.4	74.0	-22.6
H	14880.000	47.0	33	38.4	52.4	74.0	-21.6

- NOTES:
1. Peak Detector Data unless otherwise stated.
 2. All measurements were made at 3 meters. Harmonic emissions not detected at the 3-meter distances were measured at 0.3-meter and an inverse proportional extrapolation was performed to compare the signal level to the 3-meter limit. No other harmonic emissions than those reported were detected at a test distance of 0.3-meter.
 3. Negative sign in the column shows value below limit.
 4. Horn antenna is used for the emission over 1000MHz.
 5. Emission (the row indicated by **bold italic**) within the restricted band meets the requirement of FCC Part 15 Section 15.205.
 6. Measurement Uncertainty is ±5.3dB at a level of confidence of 95%.

TEST REPORT

Model: FGN84
Date of Test: August 16, 2017
Worst-Case Operating Mode: Transmitting

Table 4
Pursuant to FCC Part 15 Section 15.209 Requirement

Polarization	Frequency (MHz)	Reading (dBµV)	Pre-amp (dB)	Antenna Factor (dB)	Net at 3m (dBµV/m)	Limit at 3m (dBµV/m)	Margin (dB)
V	31.508	45.5	16	10.0	39.5	40.0	-0.5
V	32.800	45.2	16	10.0	39.2	40.0	-0.8
V	34.264	45.2	16	10.0	39.2	40.0	-0.8
V	46.693	40.3	16	11.0	35.3	40.0	-4.7
V	76.553	47.7	16	6.0	37.7	40.0	-2.3
V	83.865	46.9	16	7.0	37.9	40.0	-2.1
V	98.125	44.0	16	12.0	40.0	43.5	-3.5
H	234.990	35.6	16	19.0	38.6	46.0	-7.4
V	454.731	28.4	16	26.0	38.4	46.0	-7.6
H	866.303	22.3	16	31.0	37.3	46.0	-8.7

- NOTES:
1. Peak Detector Data unless otherwise stated.
 2. All measurements were made at 3 meters. Harmonic emissions not detected at the 3-meter distances were measured at 0.3-meter and an inverse proportional extrapolation was performed to compare the signal level to the 3-meter limit. No other harmonic emissions than those reported were detected at a test distance of 0.3-meter.
 3. Negative sign in the column shows value below limit.
 4. Horn antenna is used for the emission over 1000MHz.
 5. Emission (the row indicated by ***bold italic***) within the restricted band meets the requirement of FCC Part 15 Section 15.205.
 6. Measurement Uncertainty is ±5.3dB at a level of confidence of 95%.

TEST REPORT

4.0 EQUIPMENT PHOTOGRAPHS

For electronic filing, the photographs are saved with filename: external photos.pdf and internal photos.pdf.

5.0 PRODUCT LABELLING

For electronics filing, the FCC ID label artwork and the label location are saved with filename: label.pdf.

6.0 TECHNICAL SPECIFICATIONS

For electronic filing, the block diagram and schematic of the tested EUT are saved with filename: block.pdf and circuit.pdf respectively.

7.0 INSTRUCTION MANUAL

For electronic filing, a preliminary copy of the Instruction Manual is saved with filename: manual.pdf.

This manual will be provided to the end-user with each unit sold/leased in the United States.

TEST REPORT

8.0 MISCELLANEOUS INFORMATION

The miscellaneous information includes details of the test procedure and measured bandwidth / calculation of factor such as pulse desensitization and averaging factor (calculation and timing diagram).

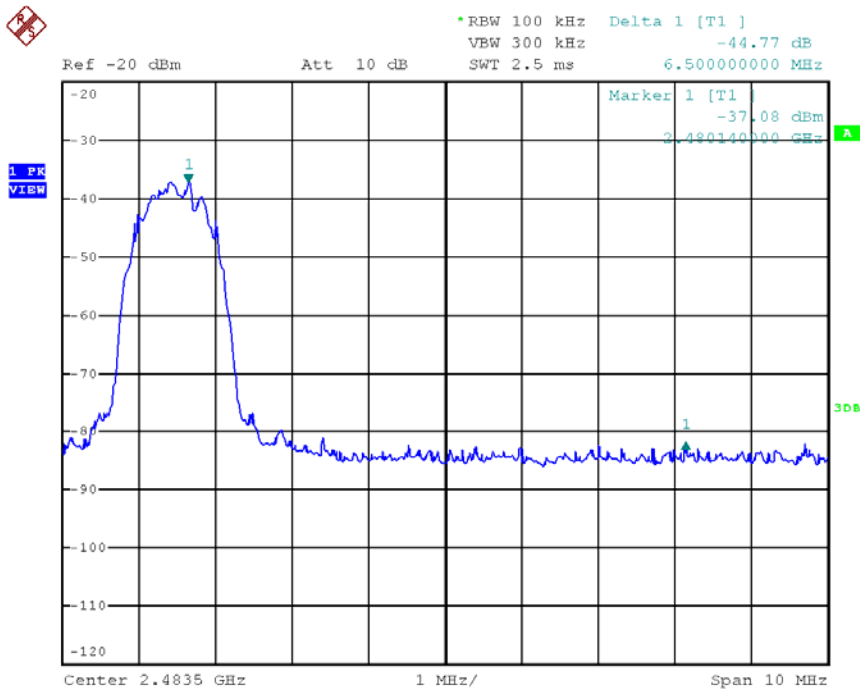
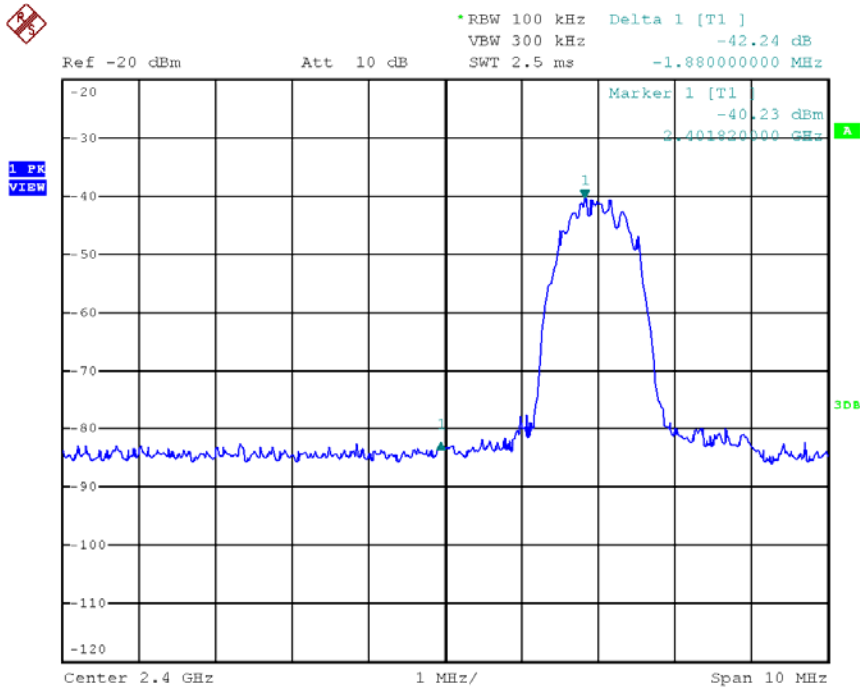
8.1 Radiated Emission on the Bandedge

From the following plots, they show that the fundamental emissions are confined in the specified band (2400MHz to 2483.5MHz). In case of the fundamental emissions are within two standard bandwidths from the bandedge, the delta measurement technique is used for determining bandedge compliance. Standard bandwidth is the bandwidth specified by ANSI C63.10 (2013) for frequency being measured.

Emissions radiated outside of the specified frequency bands, except harmonics, are attenuated by 50dB below the level of the fundamental or to the general radiated emissions limits in Section 15.209 , whichever is the lesser attenuation, which meet the requirement of part 15.249(d).

TEST REPORT

Peak Measurement



TEST REPORT

Peak Measurement

Bandedge compliance is determined by applying marker-delta method, i.e. (Bandedge Plot).

Lower bandedge

Peak Resultant field strength = Fundamental emissions (peak value) – delta from the plot

=94.2 dB μ V/m – 42.2 dB

=52.0 dB μ V/m

Average Resultant field strength = Fundamental emissions (average value) – delta from the plot

=70.2 dB μ V/m – 42.2 dB

=28.0 dB μ V/m

Upper bandedge

Peak Resultant field strength = Fundamental emissions (peak value) – delta from the plot

=91.2 dB μ V/m – 44.8 dB

=46.4 dB μ V/m

Average Resultant field strength = Fundamental emissions (average value) – delta from the plot

=67.2 dB μ V/m – 44.8 dB

=22.4 dB μ V/m

The resultant field strength meets the general radiated emission limit in Section 15.209, which does not exceed 74 dB μ V/m (Peak Limit) and 54 dB μ V/m (Average Limit).

TEST REPORT

8.2 Discussion of Pulse Desensitization

Pulse desensitivity is not applicable for this device. Since the transmitter transmits the RF signal continuously.

8.3 Calculation of Average Factor

Based on the Bluetooth Specification Version 3.0 + EDR, the transmitter ON time for each timeslot of Bluetooth is $625\mu\text{s}$. DH5 has the maximum duty cycle, which consists of 5 continuous Tx slots and 1 Rx slot. Therefore one hopset take $(5+1) \times 625\mu\text{s} = 3.75\text{ms}$. For one period for a pseudo-random hopping through at least 20 RF channels in adaptive mode (worse case), it take: $20 \times 3.75\text{ms} = 75\text{ms}$.

The dwell time for DH5 is $5 \times 625\mu\text{s} = 3.125\text{ms}$.

For the worst case calculation, there are two transmissions might occur in 100ms. Therefore,

$$\begin{aligned} \text{Duty Cycle (DC)} &= \text{Maximum On time in } 100\text{ms}/100\text{ms} \\ &= 3.125\text{ms} \times 2/100\text{ms} \\ &= 0.0625 \end{aligned}$$

$$\begin{aligned} \text{Average Factor (AF) of Bluetooth in dB} &= 20 \log_{10} (0.0625) \\ &= -24 \text{ dB} \end{aligned}$$

TEST REPORT

8.4 Emissions Test Procedures

The following is a description of the test procedure used by Intertek Testing Services Hong Kong Ltd. in the measurements of transmitter operating under the Part 15, Subpart C rules.

The transmitting equipment under test (EUT) is placed on a wooden turntable which is four feet in diameter and approximately 0.8m in height above the ground plane for emission measurement at or below 1GHz and 1.5m in height above the ground plane for emission measurement above 1GHz. During the radiated emissions test, the turntable is rotated and any cables leaving the EUT are manipulated to find the configuration resulting in maximum emissions. The EUT is adjusted through all three orthogonal axis to obtain maximum emission levels. The antenna height and polarization are also varied during the testing to search for maximum signal levels. The height of the antenna is varied from one to four meters.

Detector function for radiated emissions is in peak mode. Average readings, when required, are taken by measuring the duty cycle of the equipment under test and subtracting the corresponding amount in dB from the measured peak readings. A detailed description for the calculation of the average factor can be found in Exhibit 8.3.

The frequency range scanned is from the lowest radio frequency signal generated in the device which is greater than 9 kHz to the tenth harmonic of the highest fundamental frequency or 40 GHz, whichever is lower. For line conducted emissions, the range scanned is 150 kHz to 30 MHz.

TEST REPORT

8.4 Emissions Test Procedures (cont'd)

The EUT is warmed up for 15 minutes prior to the test.

AC power to the unit is varied from 85% to 115% nominal and variation in the fundamental emission field strength is recorded. If battery powered, a new, fully charged battery is used.

Conducted measurements were made as described in ANSI C63.10 (2013).

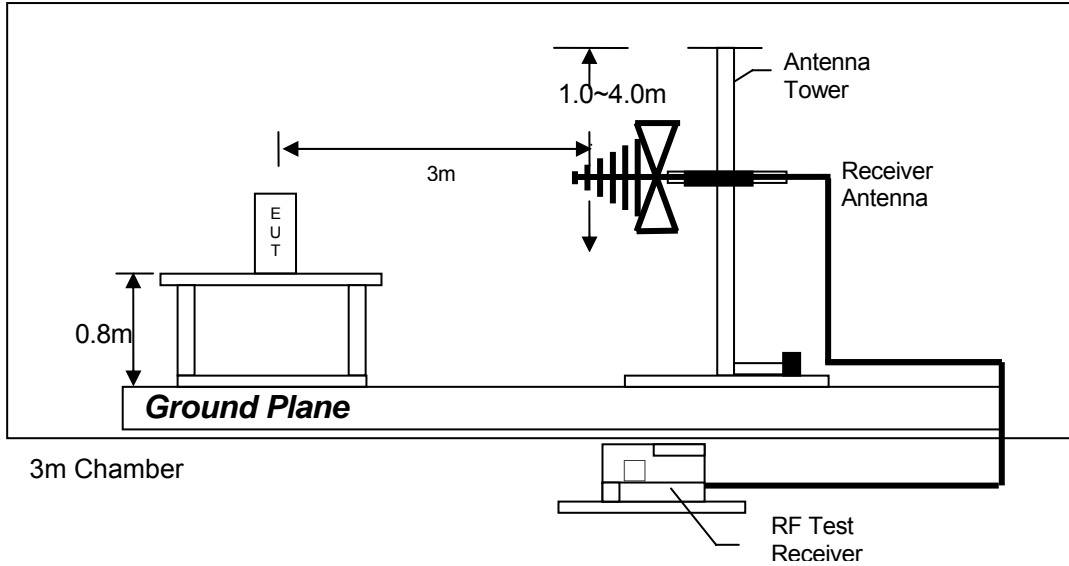
The IF bandwidth used for measurement of radiated signal strength was 100 kHz or greater when frequency is below 1000 MHz. Where pulsed transmissions of short enough pulse duration warrant, a greater bandwidth is selected according to the recommendations of Hewlett Packard Application Note 150-2. A discussion of whether pulse desensitivity is applicable to this unit is included in this report (See Exhibit 8.1). Above 1000 MHz, a resolution bandwidth of 3 MHz is used.

Transmitter measurements are normally conducted at a measurement distance of three meters. However, to assure low enough noise floor in the forbidden bands and above 1 GHz, signals are acquired at a distance of one meter or less. All measurements are extrapolated to three meters using inverse scaling, unless otherwise reported. Measurements taken at a closer distance are so marked.

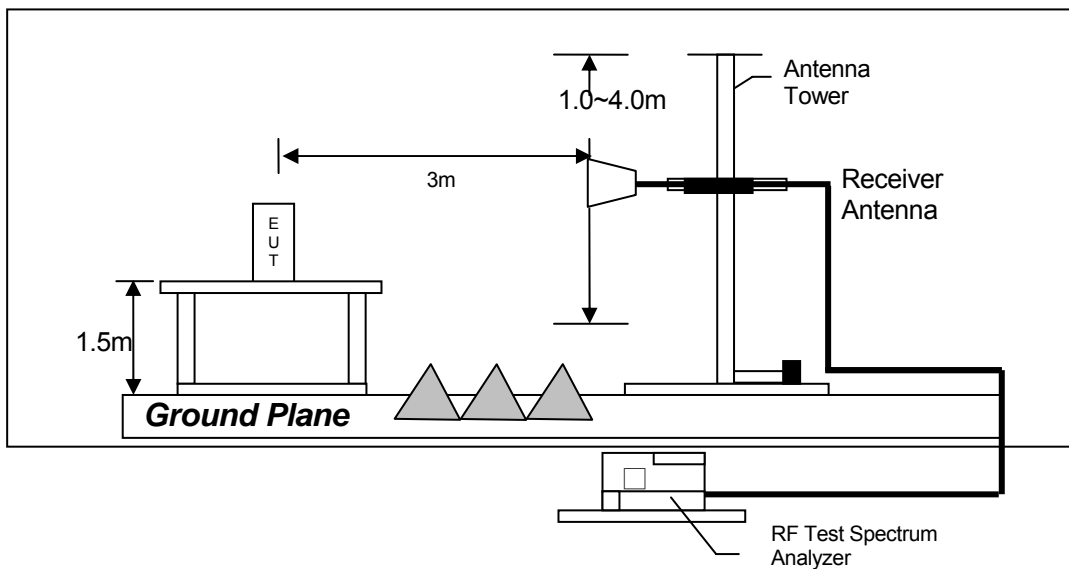
TEST REPORT

8.4.1 Radiated Emission Test Setup

The figure below shows the test setup, which is utilized to make these measurements.



Test setup of radiated emissions up to 1GHz



Test setup of radiated emissions above 1GHz

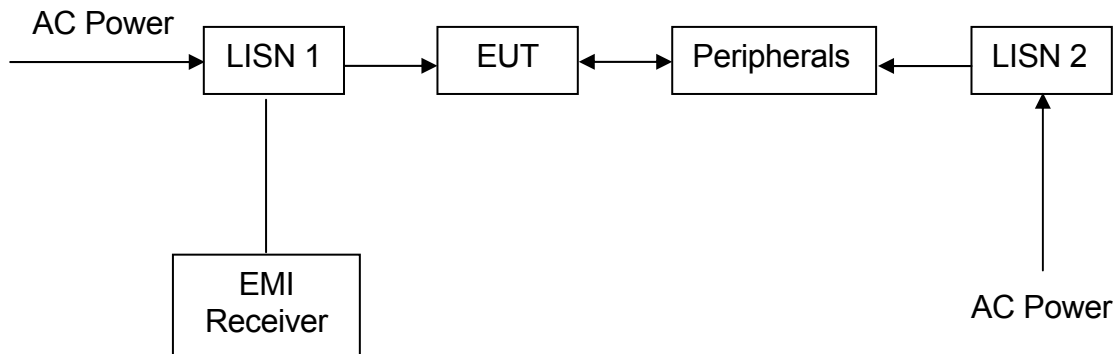
TEST REPORT

8.4.2 Conducted Emission Test Procedures

For tabletop equipment, the EUT along with its peripherals were placed on a 1.0m(W)×1.5m(L) and 0.8m in height wooden table. For floor-standing equipment, the EUT and all cables were insulated, if required, from the ground plane by up to 12 mm of insulating material. The EUT was adjusted to maintain a 0.4 meter space from a vertical reference plane. The EUT was connected to power mains through a line impedance stabilization network (LISN), which provided 50 ohm coupling impedance for measuring instrument and the chassis ground was bounded to the horizontal ground plane of shielded room. The excess power cable between the EUT and the LISN was bundled.

All connecting cables of EUT and peripherals were moved to find the maximum emission.

8.4.3 Conducted Emission Test Setup



TEST REPORT

9.0 CONFIDENTIALITY REQUEST

For electronic filing, a preliminary copy of the confidentiality request is saved with filename: request.pdf.

10.0 EQUIPMENT LIST

1) Radiated Emissions Test

EQUIPMENT	EMI TEST RECEIVER	SPECTRUM ANALYZER	LOG PERIODIC ANTENNA
Registration No.	EW-3156	EW-2466	EW-0447
Manufacturer	R&S	R&S	EMCO
Model No.	ESR26	FSP30	3146
Calibration Date	Dec. 06, 2016	Oct. 03, 2016	May 18, 2016
Calibration Due Date	Dec. 06, 2017	Aug. 20, 2017	Nov. 18, 2017

EQUIPMENT	BICONICAL ANTENNA	DOUBLE RIDGED GUIDE ANTENNA	Notch Filter (cutoff frequency 2.4GHz to 2.5GHz) 2 pieces
Registration No.	EW-0571	EW-0194	EW-2213
Manufacturer	EMCO	EMCO	MICROTRONICS
Model No.	3104C	3115	BRM50701-02
Calibration Date	May 18, 2016	Aug. 10, 2016	May 26, 2017
Calibration Due Date	Nov. 18, 2017	Feb. 10, 2018	May 26, 2018

EQUIPMENT	Solid State Low Noise Pre-amplifier Assembly (1 - 18)GHz	RF Pre-amplifier 3 pcs (9kHz to 40GHz)
Registration No.	EW-3229	EW-3006c
Manufacturer	BONN ELEKTRO	SCHWARZBECK
Model No.	BLMA 0118-5G	BBV 9718
Calibration Date	Oct. 24, 2016	23-Mar-2017
Calibration Due Date	Oct. 24, 2017	23-Mar-2018

EQUIPMENT	12m Double Shield RF Cable	12 metre RF Cable 40GHz
Registration No.	EW-1852	EW-2774
Manufacturer	RADIALL	GREATBILLION
Model No.	N(m)-RG142 - N(m)	SMA m-m ra 12m 40G outdoor
Calibration Date	Nov. 21, 2016	Nov. 24, 2016
Calibration Due Date	Oct. 13, 2017	Nov. 24, 2017

2) Conducted Emissions Test

EQUIPMENT	EMI TEST RECEIVER	LISN	PULSE LIMITER
Registration No.	EW-2251	EW-2874	EW-3248
Manufacturer	R&S	R&S	R&S
Model No.	ESCI	ENV-216	ESH3-Z2
Calibration Date	Mar. 03, 2017	Mar. 16, 2017	Oct. 12, 2016
Calibration Due Date	Mar. 03, 2018	Mar. 16, 2018	Oct. 12, 2017

TEST REPORT

3) Bandedge and Average Factor Measurement

EQUIPMENT	SPECTRUM ANALYZER
Registration No.	EW-2329
Manufacturer	R&S
Model No.	FSP3
Calibration Date	Aug. 26, 2016
Calibration Due Date	Aug. 26, 2017

END OF TEST REPORT