

Standard Common part for master

Capacitor (1st priority)

| No: | Part Value |
|-----|---|
| 1 | 10PF chip 50v +80-20% SMD 0603 |
| 2 | 20pF chip 50v +80-20% SMD 0603 |
| 3 | 25pF chip 50v +80-20% SMD 0603 |
| 4 | 1000pF chip 50v +80-20% SMD 0603 |
| 5 | 0.1uF chip 50V +80-20% Y5V, 50V SMD0603 |
| 6 | 0.033uF 25V,Y5V,PKG: dia 4mm x 3.5 |
| 7 | 10uF 25V +/-20% AL EL PKG:5x11mm |
| 8 | 47uF 25V +/-20% AL EL PKG:5x11mm |
| 9 | 100uF 25V +/-20% AL EL PKG:5x11mm |
| 10 | 220uF 25V +/-20% AL EL PKG:5x11mm |

Resistor:

| | |
|----|---------------------|
| 1 | 10 ohm +/-5% 0603 |
| 2 | 100 ohm +/-5% 0603 |
| 3 | 1K ohm +/-5% 0603 |
| 4 | 4.7Kohm +/-5% 0603 |
| 5 | 10k ohm +/-5% 0603 |
| 6 | 47k ohm +/-5% 0603 |
| 7 | 100kohm +/-5% 0603 |
| 8 | 220k ohm +/-5% 0603 |
| 9 | 1M ohm +/-5% 0603 |
| 10 | 2.2M ohm +/-5% 0603 |

Diode:

| | |
|---|-----------------------|
| 1 | IN4001PKG: DO-41 50V |
| 2 | IN4148 PKG: DO-35 50V |
| 3 | 1N5817: DO-41 50V |
| 4 | BAT54 SOT23 30V |

Transistor

| | |
|---|--|
| 1 | S8050DNP (1.5A) J/SOT-23 V: 40; W: 0.3; |
| 2 | S8550D PNP(1.5A) J/SOT-23 V: 40; W: 0.3; |
| 3 | S9014D NPN (1.5A) J/SOT-23 V: 40; W: 0.3; |
| 4 | B772 PNP A: 3; V: 40; Max. W: 1.25; PKG: TO-126; |
| 5 | D882 NPN A: 3; V: 40; Max. W: 1.25; PKG: TO-126; |

Inductor

| | |
|---|---------------------------------|
| 1 | Choke Coil DESC: 5.6uH 10% 1/2W |
|---|---------------------------------|

PTC

| | |
|---|--------------|
| 1 | MF-R400-0.99 |
|---|--------------|

Non Standard parts Guide Line (2nd priority)

Using E3 value for resistor, capacitor and inductor
Standard IEC E3 Decade value = 100, 220 & 470

Non Standard parts Guide Line (3rd priority)

Using E6 value for resistor, capacitor and inductor
Standard IEC E6 Decade value =100,150,220,330,470 & 680

MATEL MAPS All rights reserved

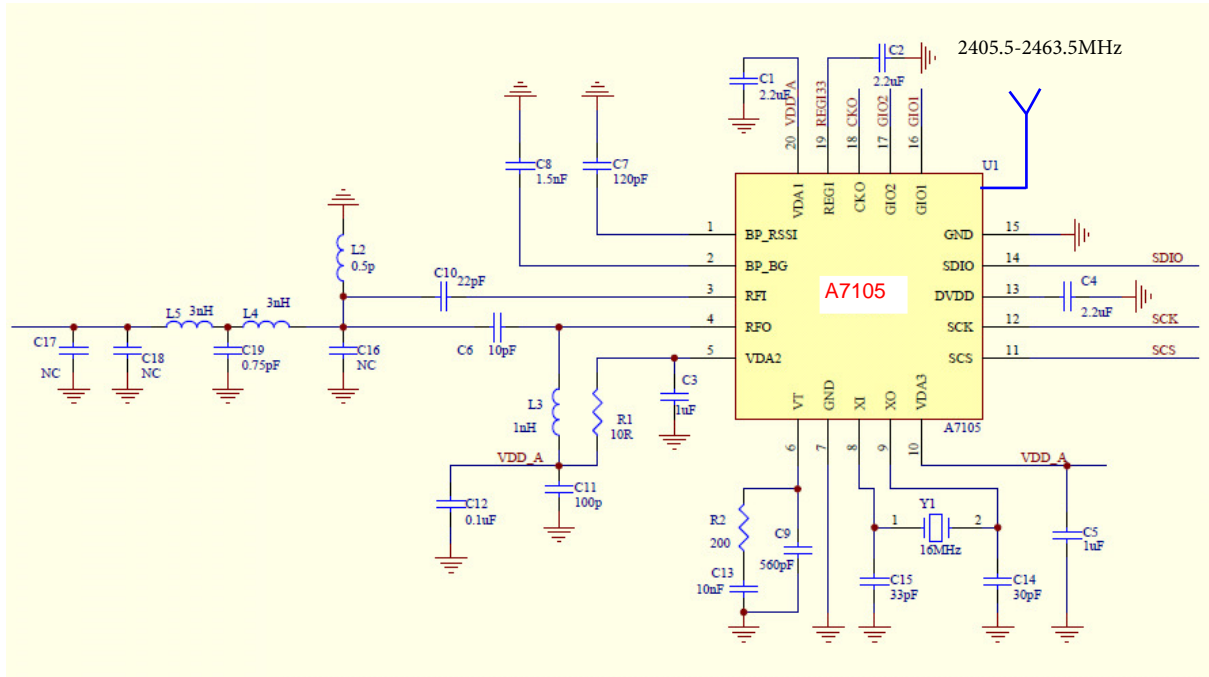
TEST MODE:

REMARKS:

IC information:

History

| | | | |
|--|---|------------------------------|-----------------|
| Size A3 | Number: FFL31/33/34/79 MAPS Engineer: Ivan Chang | Project Name : HW AI Card | Revision R07 |
| Date: 18/1/2017 | Sheet of 1/1 | | |
| File : D:\D\project\FB\83\FFL31 sch1 main R02.SchDoc | | | |



Trinity Electric