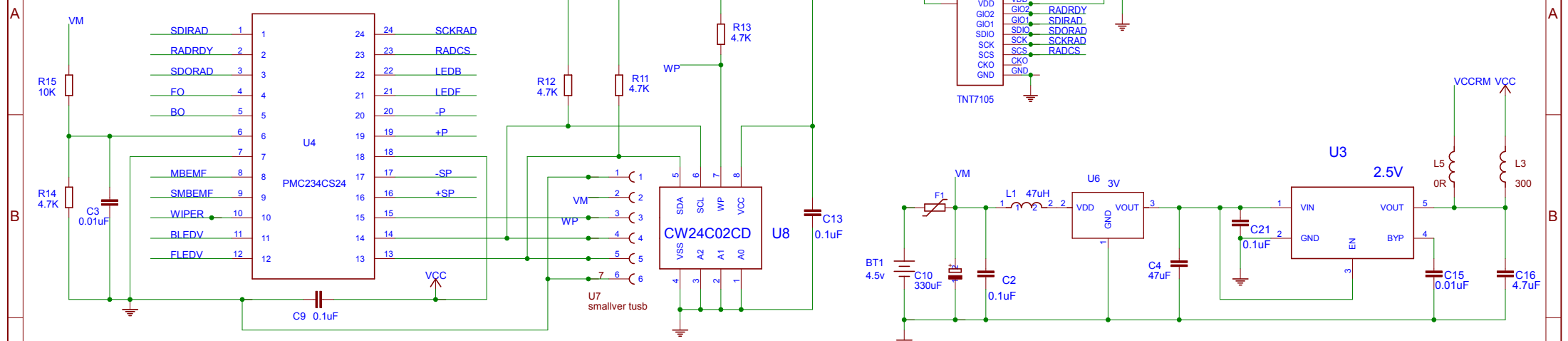
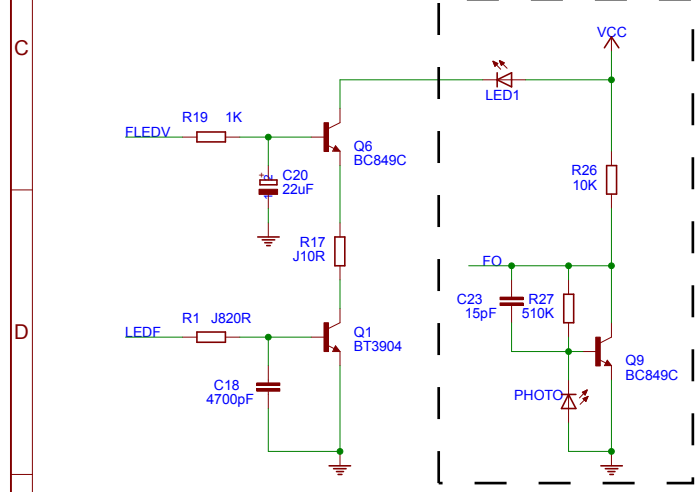


| | | | |
|---------|-----------------|------|--------------|
| PAGE: | 1 | OF | 2 |
| DOC.No: | DWG-MT5375-CNCH | | |
| Item | Change content | Date | Change point |
| | | | |
| | | | |
| | | | |

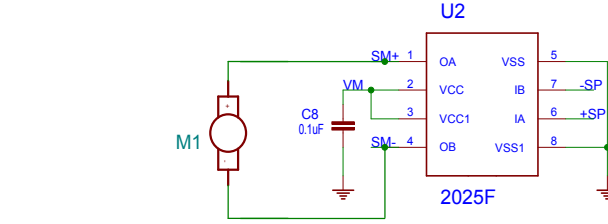
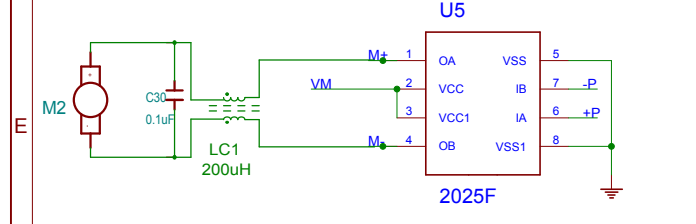
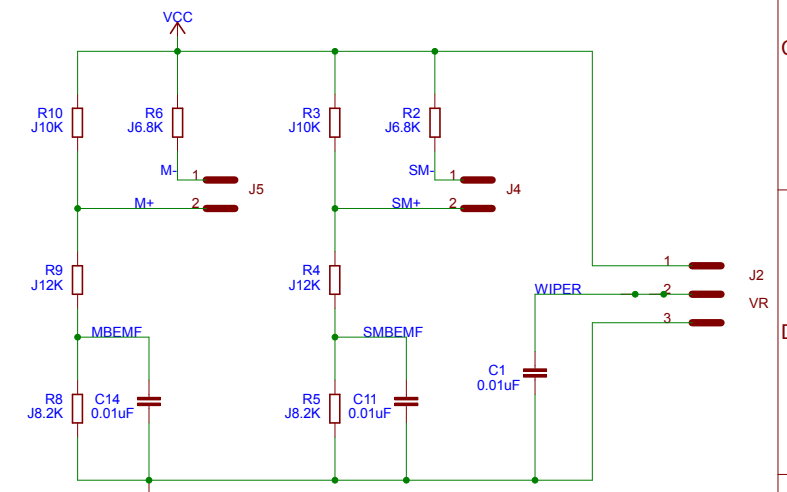
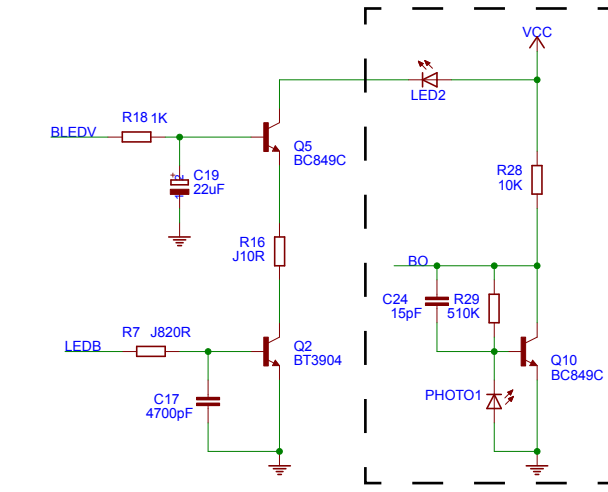
2405.5-2463.5MHz



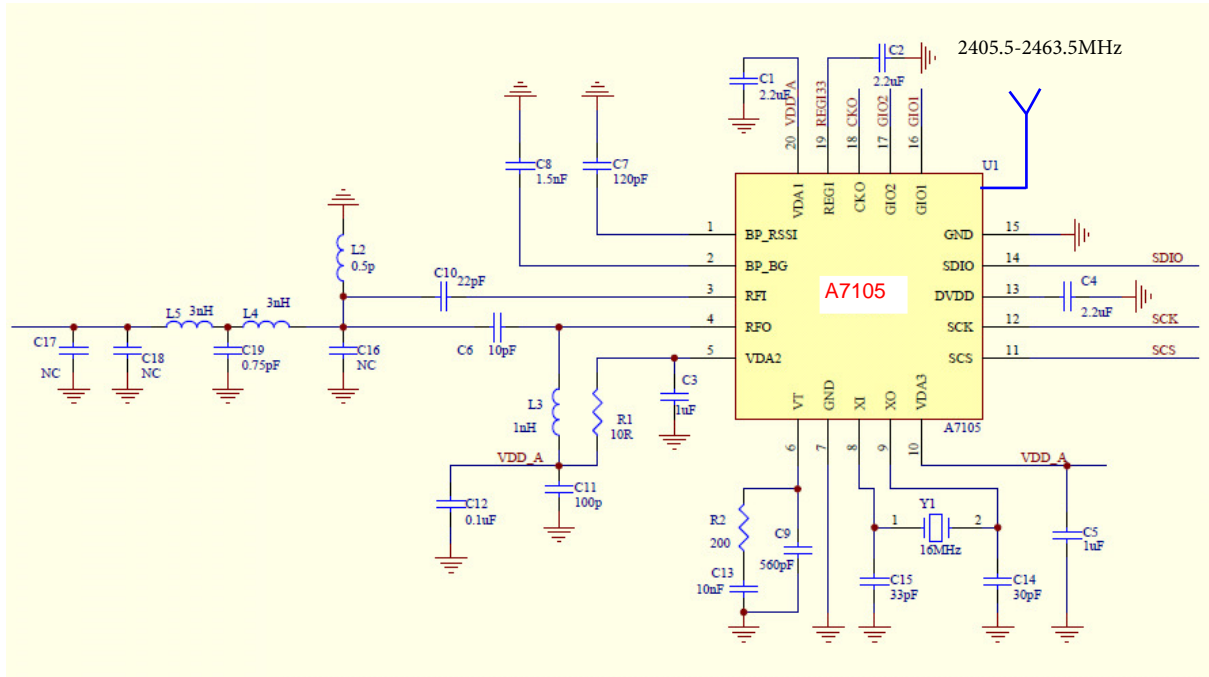
OPTO PCBA



OPTO PCBA



| | | | |
|--|--------------|-------------|----------|
| Title: | MT001 RX sch | Model Name: | RFX |
| Drawn: | wmc | Checked: | john |
| Approved: | zqc | Model No.: | MT001 |
| Date: | 2016.06.01 | Size: | A4 |
| TATKEI WAH SING ELECTRONIC (SHENZHEN) CO.,LTD. | | DWG.No.: | OE20150A |
| | | Rev.: | A/0 |



Trinity Electric

