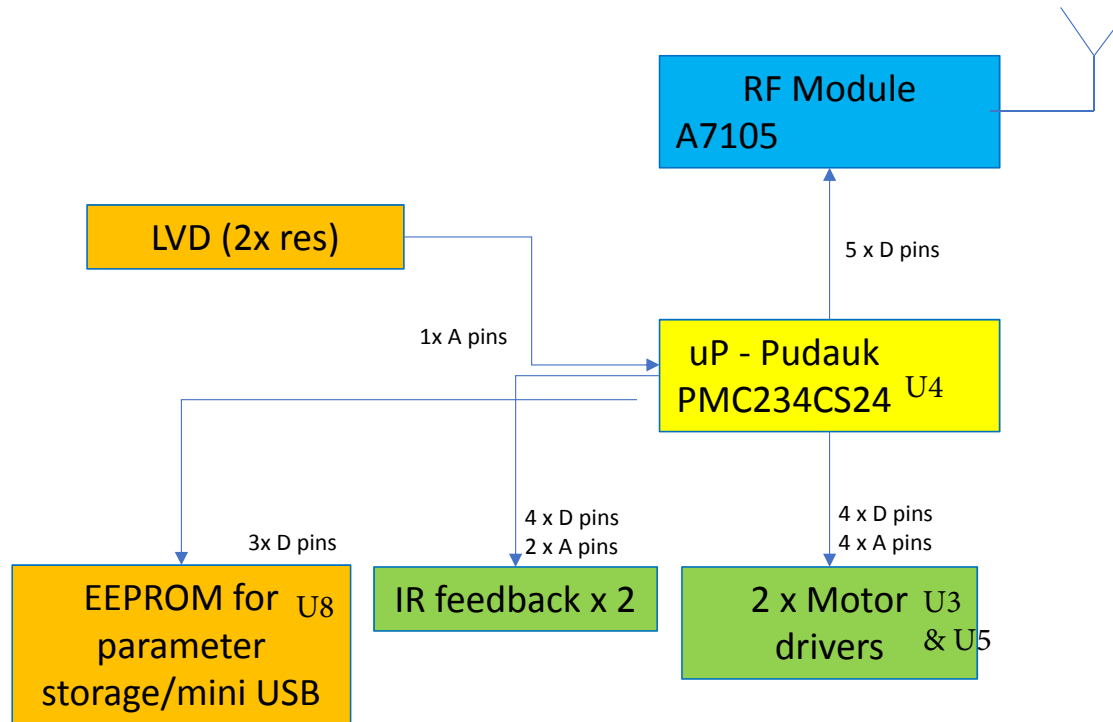


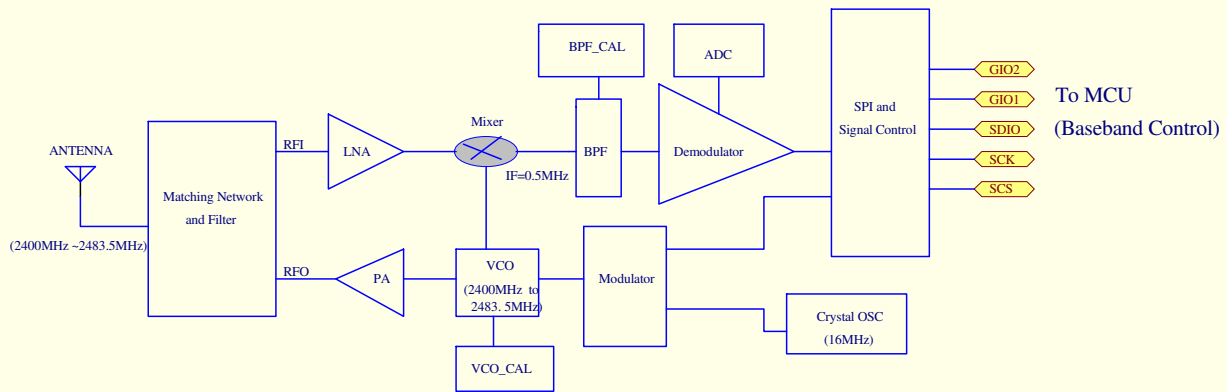
# FFY80/FFL35 System Block Diagram (Vehicle controller)

2405.5-2463.5MHz



Concerns on uP:

- Controller of the system, IR system control, playing, motor control, baseband control, communication with RF module



**Block Diagram of RF module**

Title			TNT-7105-QN Module		
Size	Number		Revision		
A4					
Date:	31-Mar-2017		Sheet of		
File:	C:\Data\Project\Fele\Mattel\DJID79_2_Whistle\BFC info\block_diagram\BLOCK_DI.DDB				