

Standard Common part for master

Capacitor (1st priority)

No:	Part Value
1	10PF chip 50V +80-20% SMD 0603
2	20pF chip 50V +80-20% SMD 0603
3	25pF chip 50V +80-20% SMD 0603
4	1000pF chip 50V +80-20% SMD 0603
5	0.1uF chip 50V +80-20% Y5V, 50V SMD0603
6	0.1uF 25V +80-20% Y5V, PKG: Ceramic dia 6mm x 3.5
7	0.033uF 25V, Y5V, PKG: dia 4mm x 3.5
8	10uF 25V +/-20% AL EL PKG:5x11mm
9	47uF 25V +/-20% AL EL PKG:5x11mm
10	100uF 25V +/-20% AL EL PKG:5x11mm
11	220uF 25V +/-20% AL EL PKG:5x11mm

Resistor:

No:	Part Value
1	10 ohm +/-5% 0603
2	100 ohm +/-5% 0603
3	1K ohm +/-5% 0603
4	4.7Kohm +/-5% 0603
5	10k ohm +/-5% 0603
6	47k ohm +/-5% 0603
7	100kohm +/-5% 0603
8	220k ohm +/-5% 0603
9	1M ohm +/-5% 0603
10	2.2M ohm +/-5% 0603

Diode:

No:	Part Value
1	IN4001PKG: DO-41 50V
2	IN4148 PKG: DO-35 50V
3	IN5817: DO-41 50V
4	BAT54 SOT23 30V

Transistor

No:	Part Value
1	S8050NPN (1.5A)SOT-23.V: 40; W: 0.3;
2	S8550D PNP (1.5A)SOT-23.V: 40; W: 0.3;
3	S9014D NPN (1.5A)SOT-23.V: 40; W: 0.3;
4	B772 PNP A: 3; V: 40; Max. W: 1.25; PKG: TO-126;
5	D882 NPN A: 3; V: 40; Max. W: 1.25; PKG: TO-126;

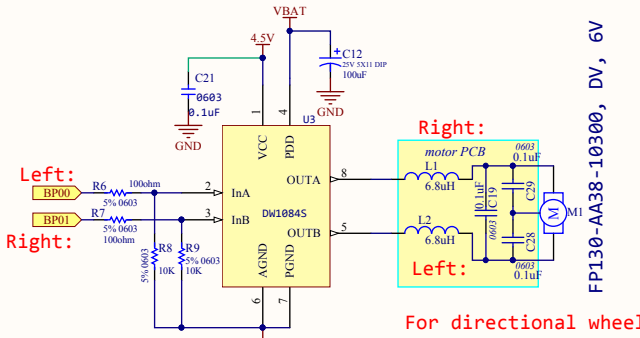
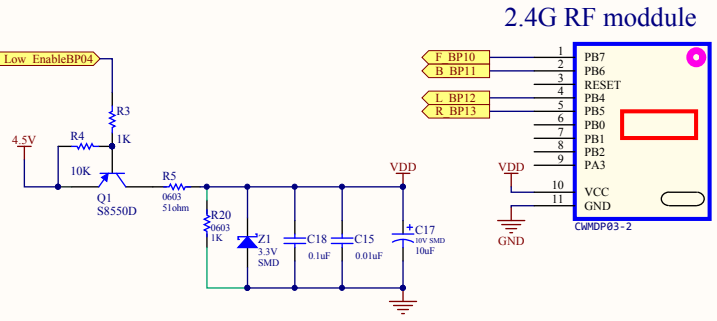
Inductor

No:	Part Value
1	Choke Coil DESC: 5.6uH 10% 1/2W

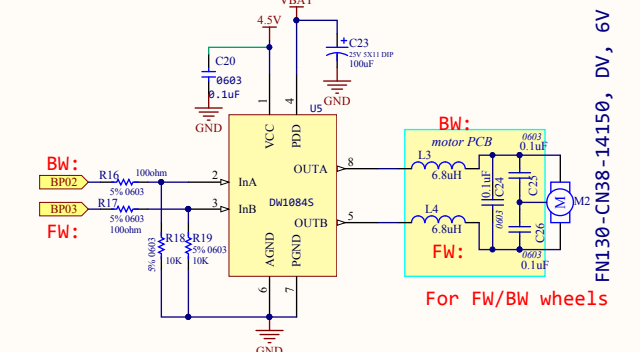
PTC

No:	Part Value
1	MF-R400-0-99

Key Part



FP130-AA38-10300, DV, 6V



FN130-CN38-14150, DV, 6V

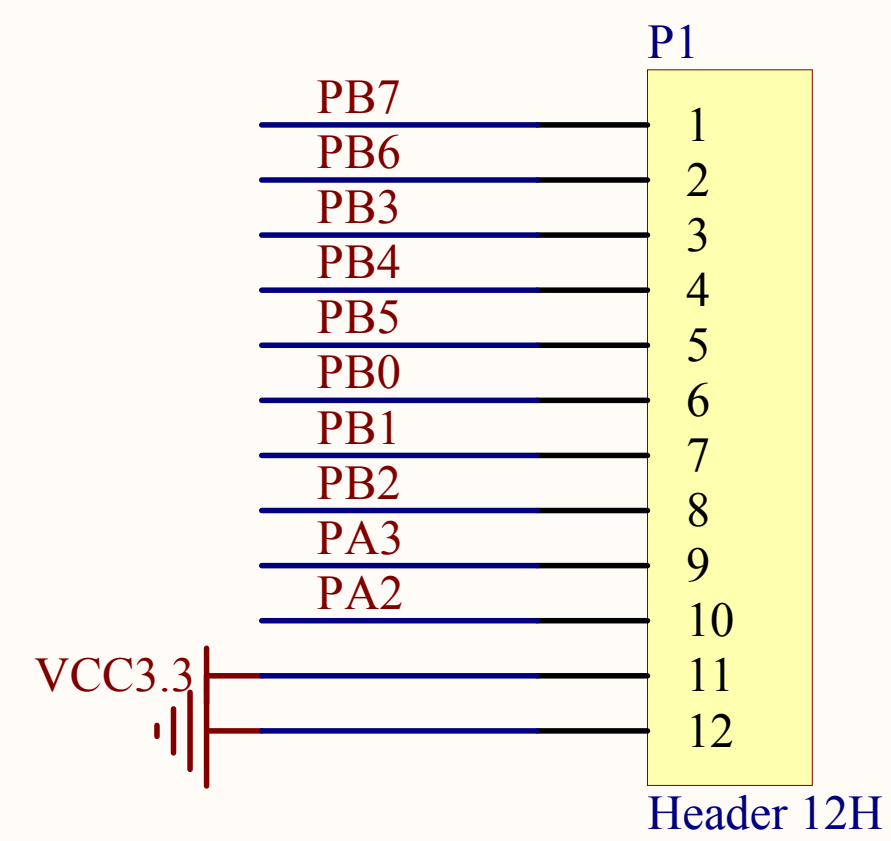
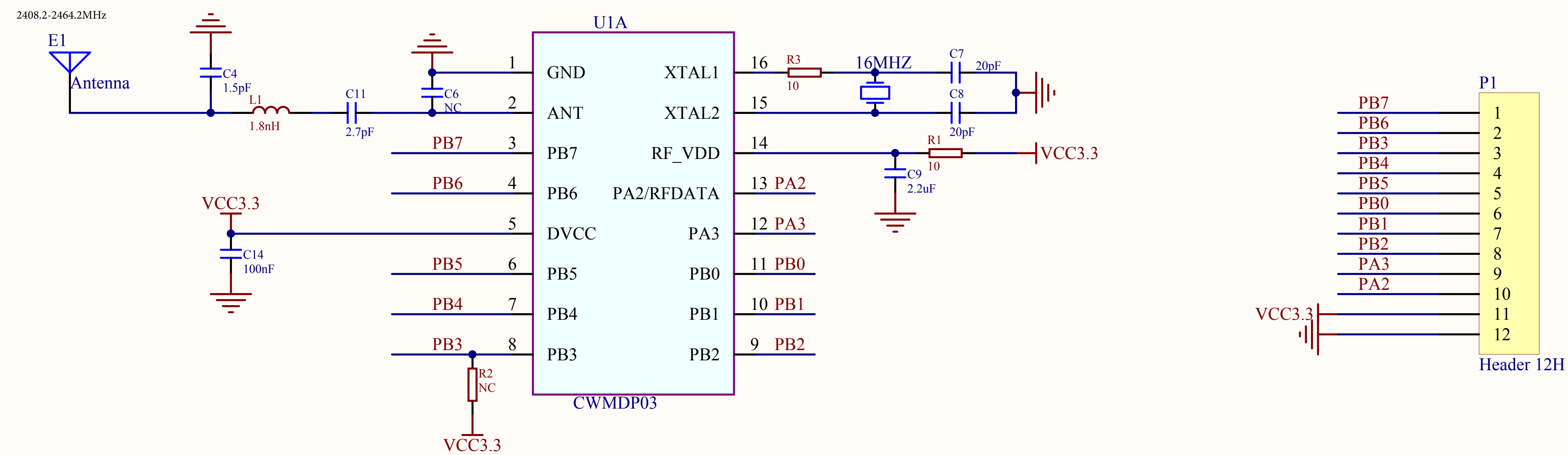
Non Standard parts Guide Line (2nd priority)
Using E3 value for resistor, capacitor and inductor
Standard IEC E3 Decade Value = 100, 220 & 470
Non Standard parts Guide Line (3rd priority)
Using E6 value for resistor, capacitor and inductor
Standard IEC E6 Decade value = 100, 150, 220, 330, 470 & 680

MATEL MAPS All rights reserved

TEST MODE:	REMARKS:	IC information:	History
			REV. DESCRIPTION DATE Drawn by R0 First Release:Rx Tank driver 2017/6/20 Johnson

Size	Number	Project Name	Revision
A3	FCX96		R0
MAPS Engineer : Benjalin		Disney Pixar Cars 3 Smart Steer Lightning McQueen	
Date	2017/6/28	Sheet of	

File : \\APHENM08A\Elec\HG\EE team\Project2017\2017 Fall\MB-Disney\FCX96\Testing\FCC_RED\FCC_RSS10 (FCX96)Bk



Title		
Size	Number	Revision
A4		
Date:	2016/1/21	Sheet of
File:	F:\ \Module.SchDoc	Drawn By: