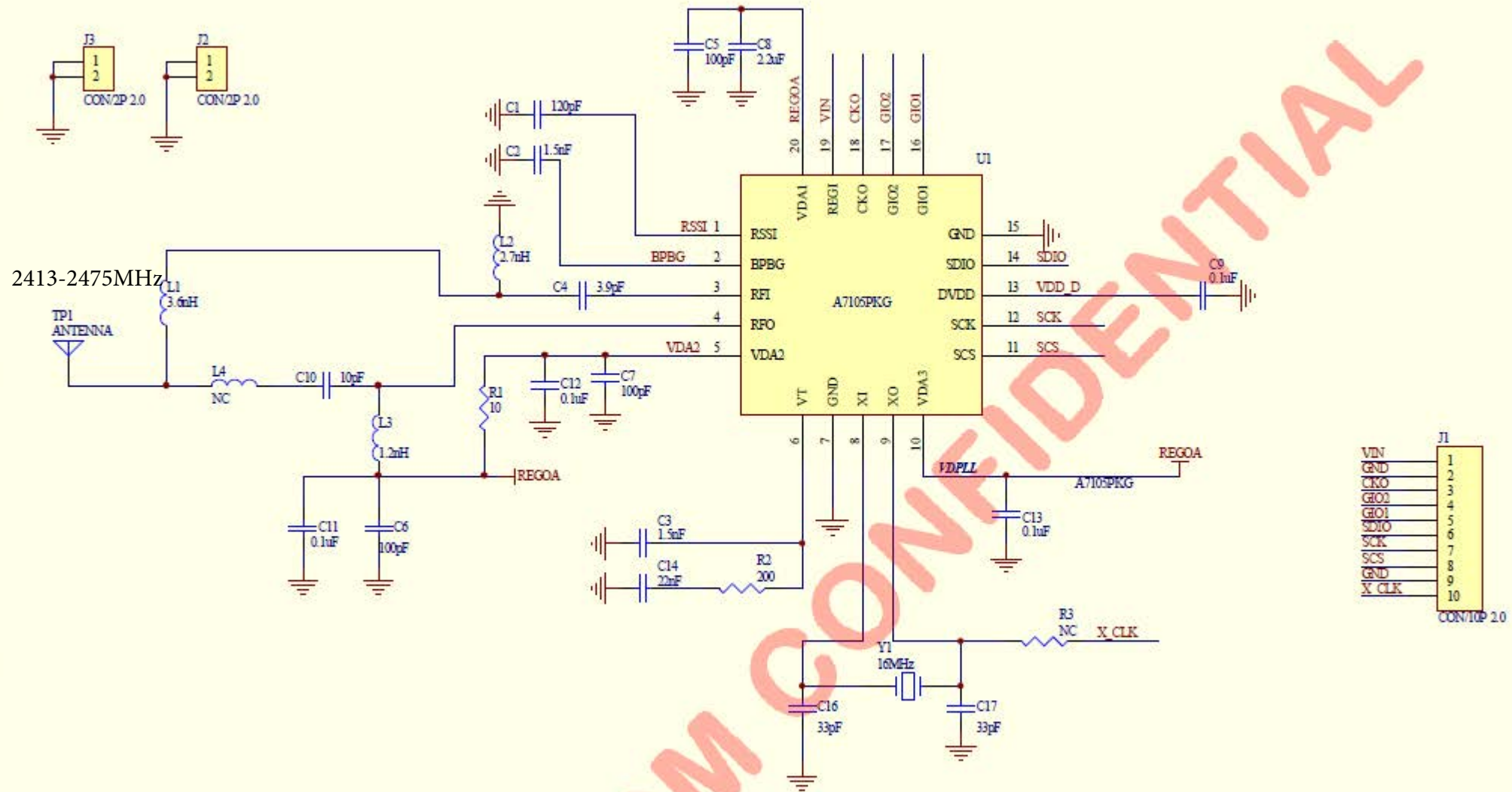


Use Lump Elements for Matching Circuit



Title		
MD7105-B01		
Size	Number	Revision
A4		
Date:	30-Sep-2007	Sheet of
File:	C:\DOCUME~1\ADMINI~1\LOCALS~1\Temp\MD7105-B01.dbb	