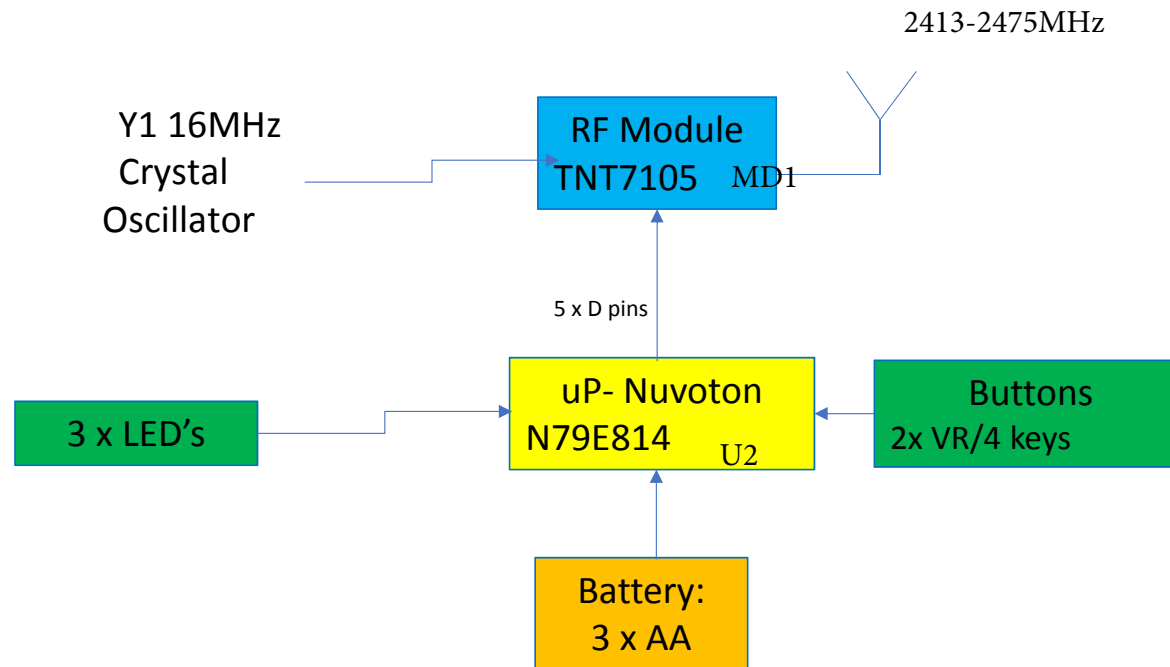


DJD79 System Block Diagram (Remote controller)



uP:

- Controller of the system, U/I control, baseband control, communication with RF module
- Operating freq: 22.1184MHz

System operating voltage: 3.9V-4.8V

System operating current: 50mA

6. Chip Block Diagram

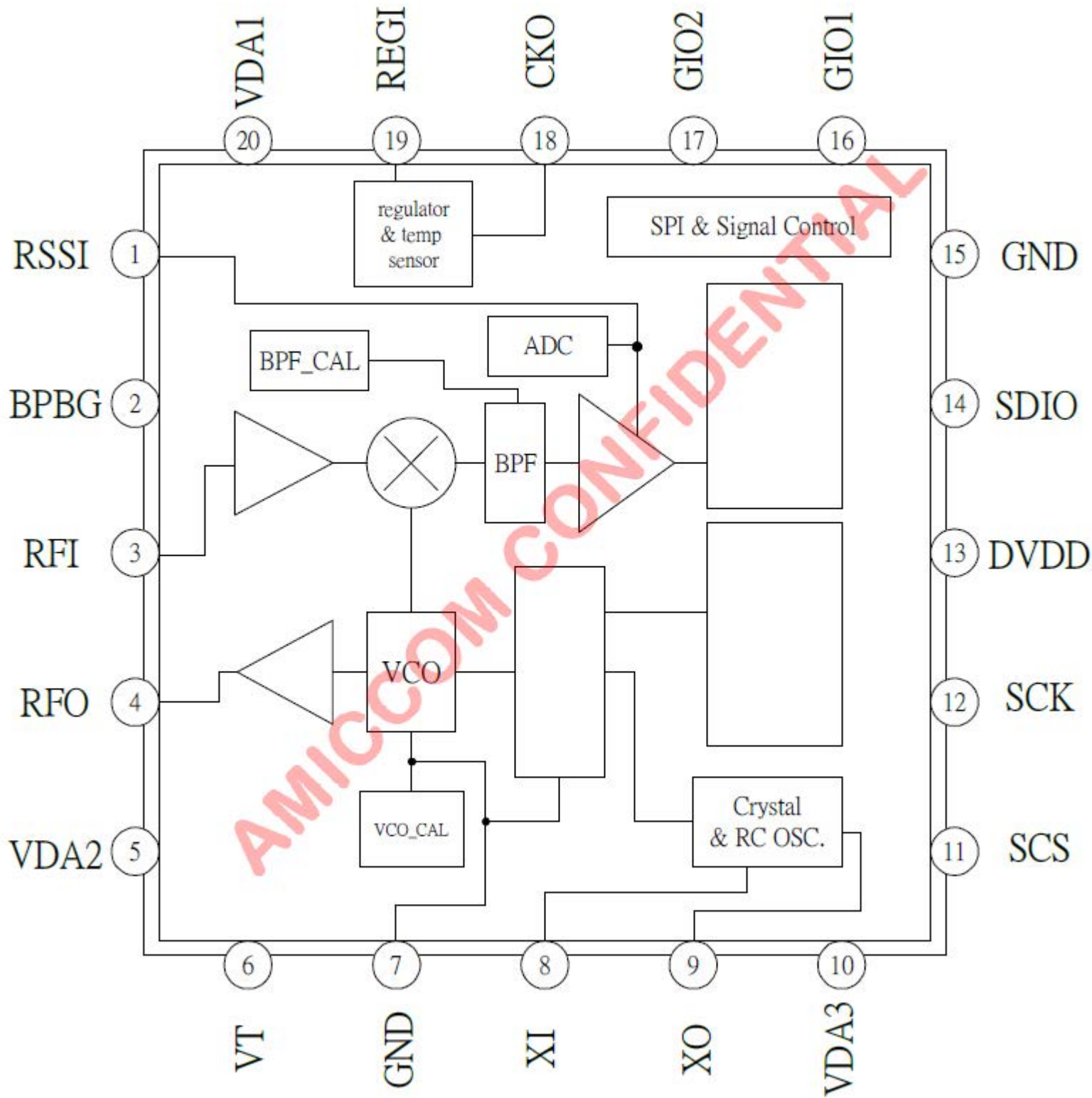


Fig 6-1. System Block Diagram