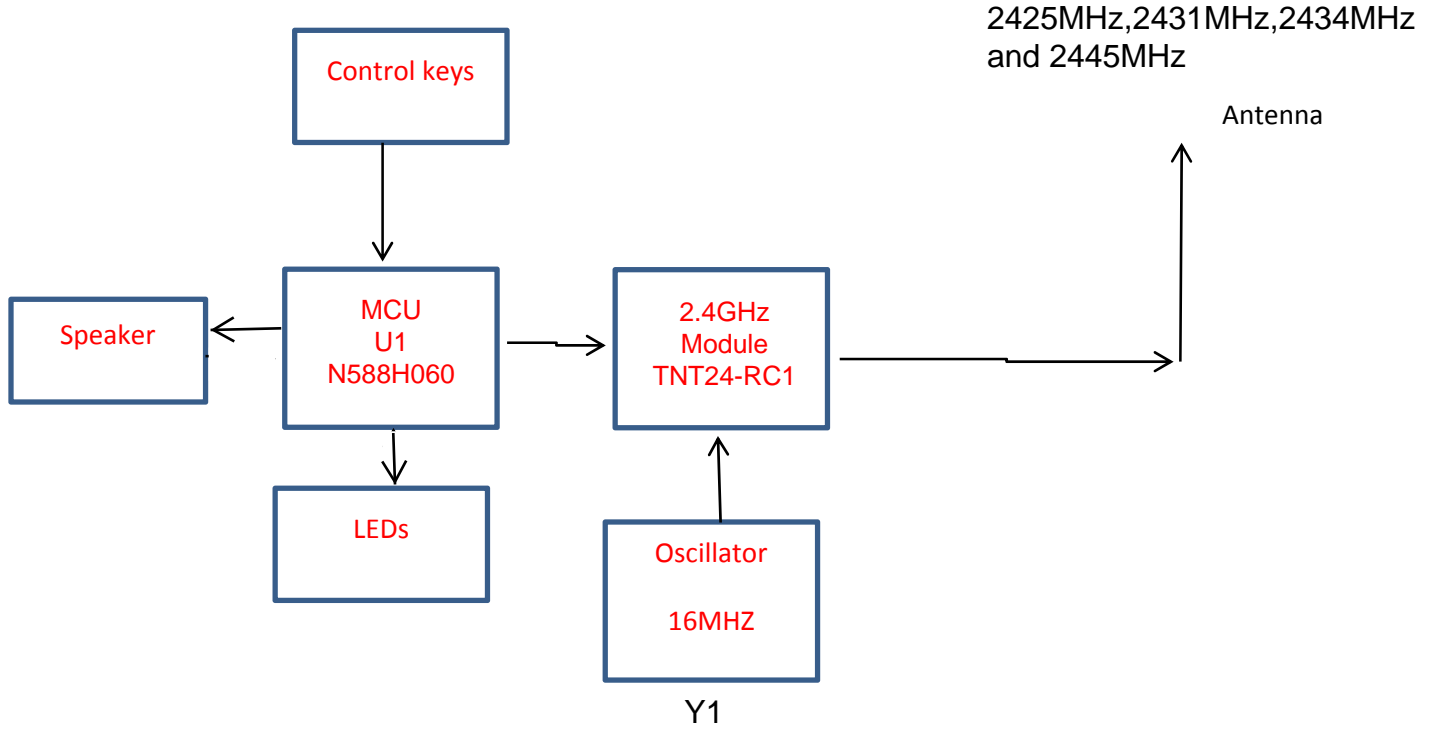
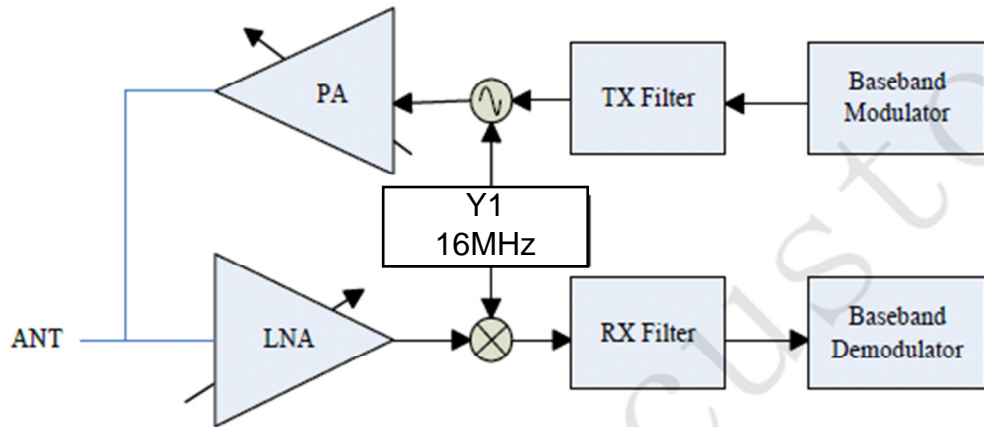


Transmitter



Block diagram:



2425MHz, 2431MHz, 2434MHz
and 2445MHz