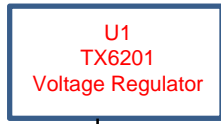


Transceiver

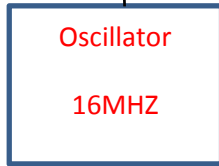


2425MHz,2431MHz,2434MHz  
and 2445MHz

Antenna



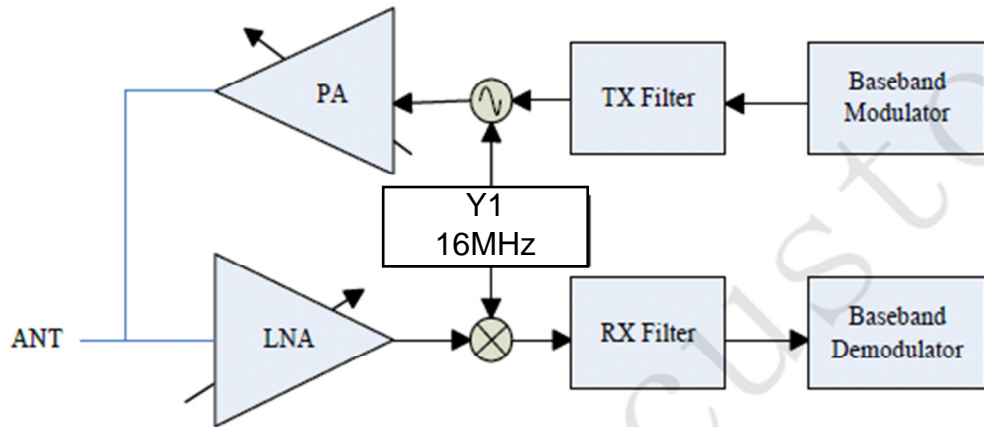
U2



Y1



**Block diagram:**



2425MHz,2431MHz,2434MHz  
and 2445MHz