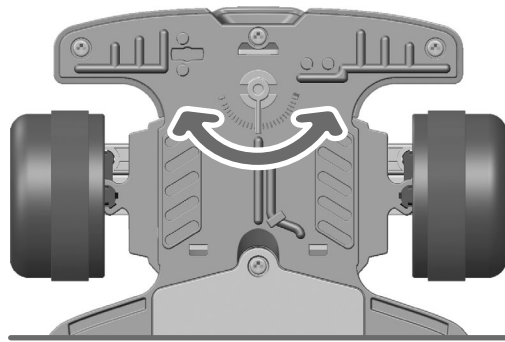


Troubleshooting



- If vehicle does not move forward or backward in a straight line, you may want to adjust the front wheels. Adjust the drift position dial to either the right or left.
- When movement from the vehicle slows or stops, it is time for an adult to change the batteries.
- If the vehicle does not respond to the remote controller, it is time for an adult to change the batteries.

Care

- If the remote control or vehicle are accidentally dropped in the water, remove the batteries and allow them to air dry. Replace with fresh batteries before operation.
- Wipe toy with a clean, damp cloth. Do not immerse. This toy has no consumer serviceable parts. Do not take apart.



- Protect the environment by not disposing of this product with household waste (2002/96/EC). Check your local authority for recycling advice and facilities.

Consumer Information

CONSUMER ASSISTANCE

1-800-432-5437 (US & Canada)
1300 135 312 (Australia)

service.fisher-price.com

Fisher-Price, Inc., 636 Girard Avenue, East Aurora, NY 14052.
Hearing-impaired consumers: 1-800-382-7470.

Outside the United States:

Canada: Mattel Canada Inc., 6155 Freemont Blvd., Mississauga, Ontario L5R 3W2; www.service.mattel.com.

Great Britain: Mattel UK Ltd, Vanwall Business Park, Maidenhead SL6 4UB. Helpline: 01628 500303. www.service.mattel.com/uk

Mattel Europa B.V., Gondel 1, 1186 MJ Amstelveen, Nederland.

Australia: Mattel Australia Pty. Ltd., 658 Church Street, Locked Bag #870, Richmond, Victoria 3121 Australia.

New Zealand: 16-18 William Pickering Drive, Albany 1331, Auckland.

This Category II radio communication device complies with Industry Canada Standard RSS-310. Operation is subject to the following two conditions: (1) this device may not cause interference, and (2) this device must accept any interference, including interference that may cause undesired operation of the device.

Ce dispositif de radiocommunication de catégorie II respecte la norme CNR-310 d'Industrie Canada. Cet appareil numérique de la classe B est conforme à la norme NMB-003 du Canada. L'utilisation de ce dispositif est autorisée seulement aux conditions suivantes: (1) il ne doit pas produire de brouillage et (2) l'utilisateur du dispositif doit être prêt à accepter tout brouillage radioélectrique reçu, même si ce brouillage est susceptible de compromettre le fonctionnement du dispositif.

CE 0979

FCC Statement (United States Only)

This equipment has been tested and found to comply with the limits for a Class B digital device, pursuant to Part 15 of the FCC Rules. These limits are designed to provide reasonable protection against harmful interference in a residential installation. This equipment generates, uses and can radiate radio frequency energy and, if not installed and used in accordance with the instructions, may cause harmful interference to radio communications. However, there is no guarantee that interference will not occur in a particular installation. If this equipment does cause harmful interference to radio or television reception, which can be determined by turning the equipment off and on, the user is encouraged to try to correct the interference by one or more of the following measures:

- Reorient or relocate the receiving antenna.
- Increase the separation between the equipment and receiver.
- Consult the dealer or an experienced radio/TV technician for help.

Note: Changes or modifications not expressly approved by the manufacturer responsible for compliance could void the user's authority to operate the equipment. This device complies with Part 15 of the FCC Rules. Operation is subject to the following two conditions: (1) this device may not cause harmful interference, and (2) this device must accept any interference received, including interference that may cause undesired operation.

Hereby, Mattel declares that the toy is in compliance with the essential requirements and other relevant provisions of Directives 1999/5/EC 2004/108/EC, 88/378/EEC. Suitable for use in all EU member states. A copy of the Declaration of Conformity may be obtained from Mattel UK Ltd., Vanwall Business Park, Maidenhead SL6 4UB.

Fisher-Price®

BHX87



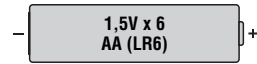
Keep this instruction sheet for future reference, as it contains important information.

Vehicle requires four AA (LR6) **alkaline** and remote control requires two AA (LR6) **alkaline** batteries. Batteries are not included.

Battery installation is required. Only adults should install batteries.
Tool required for battery installation: Phillips screwdriver (not included).

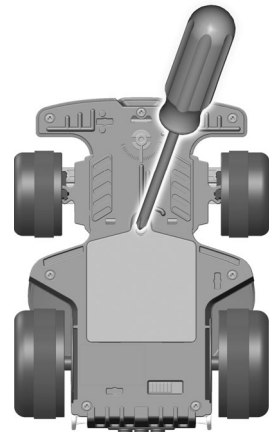
Frequency: 27.145MHz

Battery Installation



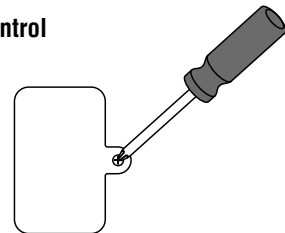
- For longer life, use **alkaline** batteries.
- If the vehicle or remote control begins to operate erratically, you may need to reset the electronics. Remove and reinstall the batteries.

Vehicle



- Loosen the screw in the battery compartment door and remove the door.
- Insert four AA (LR6) **alkaline** batteries.
- Replace the battery compartment door and tighten the screw.

Remote Control



- Loosen the screw in the battery compartment door and remove the door.
- Insert two AA (LR6) **alkaline** batteries.
- Replace the battery compartment door and tighten the screw.

Battery Safety Information

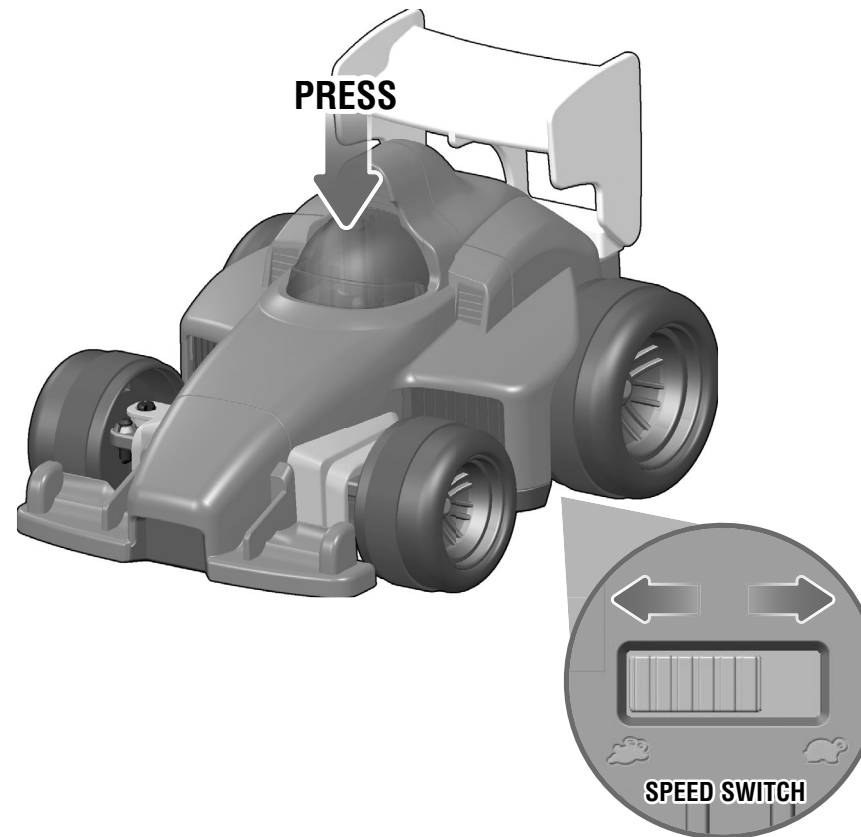
In exceptional circumstances, batteries may leak fluids that can cause a chemical burn injury or ruin your product. To avoid battery leakage:

- Do not mix old and new batteries or batteries of different types: alkaline, standard (carbon-zinc) or rechargeable (nickel-cadmium).
- Insert batteries as indicated inside the battery compartment.
- Remove batteries during long periods of non-use. Always remove exhausted batteries from the product. Dispose of batteries safely. Do not dispose of this product in a fire. The batteries inside may explode or leak.
- Never short-circuit the battery terminals.
- Use only batteries of the same or equivalent type as recommended.
- Do not charge non-rechargeable batteries.
- Remove rechargeable batteries from the product before charging.
- If removable, rechargeable batteries are used, they are only to be charged under adult supervision.

Let's Go!

CAUTION

To prevent entanglement, keep hair away from wheels.

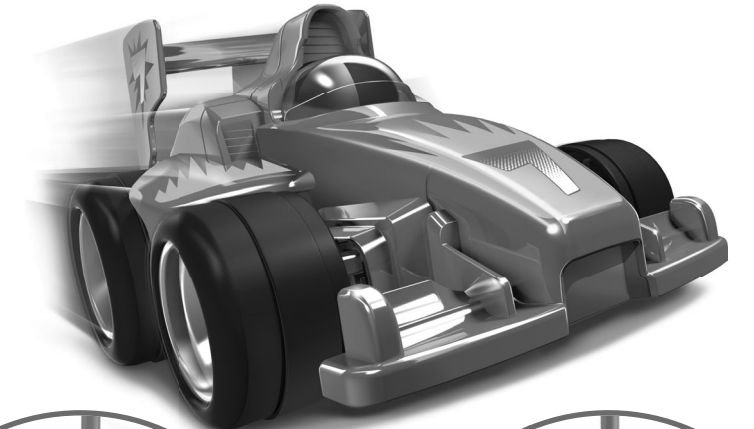


- Slide the speed switch on the bottom of the vehicle to low speed (beginner) or high speed (expert).

Hint: If the speed switch does not move easily, rotate the rear wheels on the vehicle.

- Press the button on the top of the vehicle. The ready light turns ON.

Easy to Use Remote Control



Beginner



Expert

- Point the antenna of the remote control toward the vehicle and press a button.

Beginner "Drivers"

- Press top arrow to drive forward.
- Press bottom arrow to drive in reverse.
- Press the left button to turn left.
- Press the right button to turn right.

Expert "Drivers"

- While pressing the bottom arrow, press the left arrow to drive in reverse to the left.
- While pressing the bottom arrow, press the right arrow to drive in reverse to the right.

- For best performance, be sure the remote control antenna is pointing towards the vehicle.

- If you do not operate the remote control for approximately 5 minutes, the vehicle will shut OFF. Press the button on top of the vehicle to turn power ON again.

- Maximum range of the remote control to the vehicle is approximately 50 feet (15,24 meters).