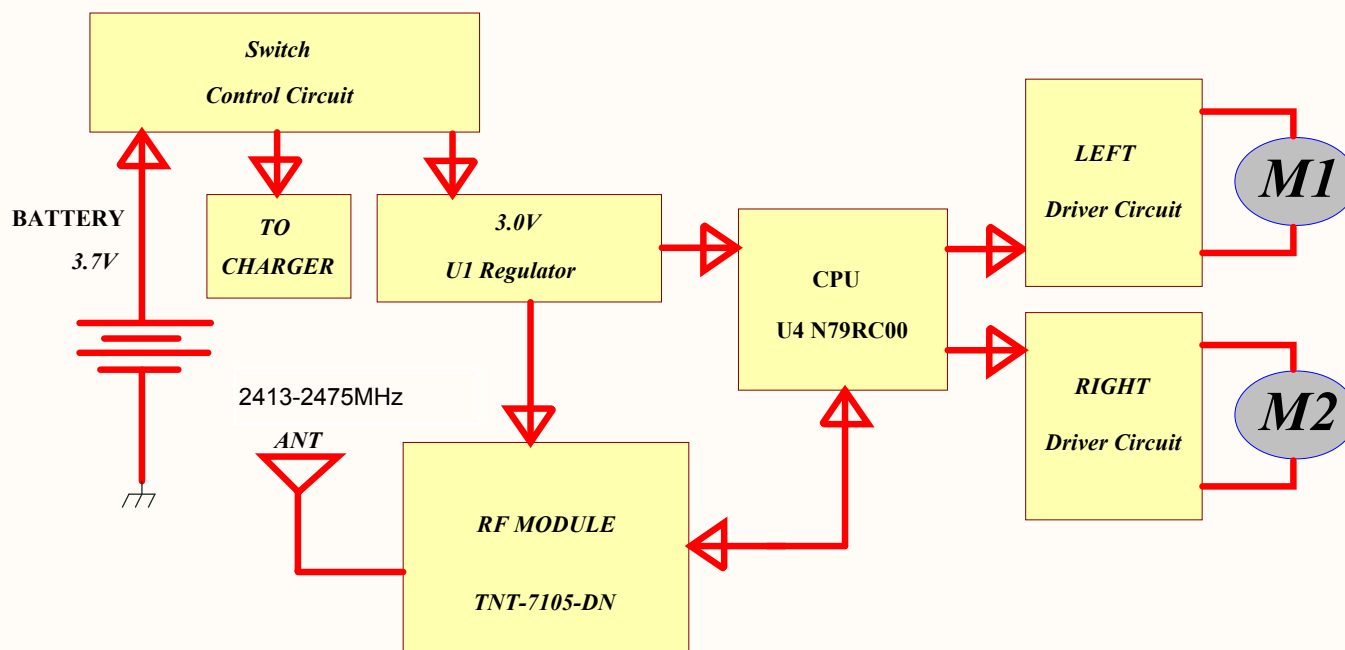


Block Diagram of BGK77 Receiver



Standard Common part for master

Capacitor
(1st priority)

| No: | Part Value | Qty for update SCH |
|-----|---|--------------------|
| 1 | 10PF chip 50v +80-20% SMD 0603 | |
| 2 | 20pF chip 50v +80-20% SMD 0603 | |
| 3 | 25pF chip 50v +80-20% SMD 0603 | |
| 4 | 1000pF chip 50v +80-20% SMD 0603 | |
| 5 | 0.1uF chip 50V +80-20% Y5V, 50V SMD0603 | |
| 6 | 0.1uF 25V +80-20% Y5V, PKG: Ceramic dia 6mm x 3.5 | |
| 7 | 0.033uF 25V Y5V, PKG: dia 4mm x 3.5 | |
| 8 | 10uF 25V +/-20% AL EL PKG: 5x11mm | |
| 9 | 47uF 25V +/-20% AL EL PKG: 5x11mm | |
| 10 | 100uF 25V +/-20% AL EL PKG: 5x11mm | |
| 11 | 220uF 25V +/-20% AL EL PKG: 5x11mm | |

Resistor:

| | | |
|----|---------------------|--|
| 1 | 10 ohm +/-5% 0603 | |
| 2 | 100 ohm +/-5% 0603 | |
| 3 | 1K ohm +/-5% 0603 | |
| 4 | 4.7Kohm +/-5% 0603 | |
| 5 | 10k ohm +/-5% 0603 | |
| 6 | 47k ohm +/-5% 0603 | |
| 7 | 100kohm +/-5% 0603 | |
| 8 | 220k ohm +/-5% 0603 | |
| 9 | 1M ohm +/-5% 0603 | |
| 10 | 2.2M ohm +/-5% 0603 | |

Diode:

| | | |
|---|-----------------------|--|
| 1 | IN4001 PKG: DO-41 50V | |
| 2 | IN4148 PKG: DO-35 50V | |

Transistor

| | | |
|---|--|--|
| 1 | S8050NPN (1.5A) ISOT-23 V: 40; W: 0.3; | |
| 2 | S8550D PNP(1.5A) ISOT-23 V: 40; W: 0.3; | |
| 3 | S9014D NPN(1.5A) ISOT-23 V: 40; W: 0.3; | |
| 4 | B772 PNP A: 3; V: 40; Max. W: 1.25; PKG: TO-126; | |
| 5 | D882 NPN A: 3; V: 40; Max. W: 1.25; PKG: TO-126; | |

Inductor

| | | |
|---|---------------------------------|--|
| 1 | Choke Coil DESC: 5.6uH 10% 1/2W | |
|---|---------------------------------|--|

PTC

| | | |
|---|--------------|--|
| 1 | MF-R400-0-99 | |
|---|--------------|--|

Diode:

| | | |
|---|-------------------|--|
| 1 | IN5817: DO-41 50V | |
|---|-------------------|--|

Non Standard parts Guide Line (2nd priority)

Using E3 value for resistor, capacitor and inductor

Non Standard parts Guide Line (3rd priority)

Using E6 value for resistor, capacitor and inductor

 **MAPS** All rights reserved

| | | | |
|---------------------------------------|-----------------------|------------------------------------|---------------------|
| Size: A3 | Project Number: BGK77 | Project Name: FLYING RACER (PLANE) | Revision: B |
| Date: 3/28/2014 | MAPS Engineer: CHIN | Sheet: 1 of 1 | DrawnBy: DuXuanHong |
| File: BGK77 RX BLOCK DIAGRAM B SchDoc | | | |

TEST MODE:

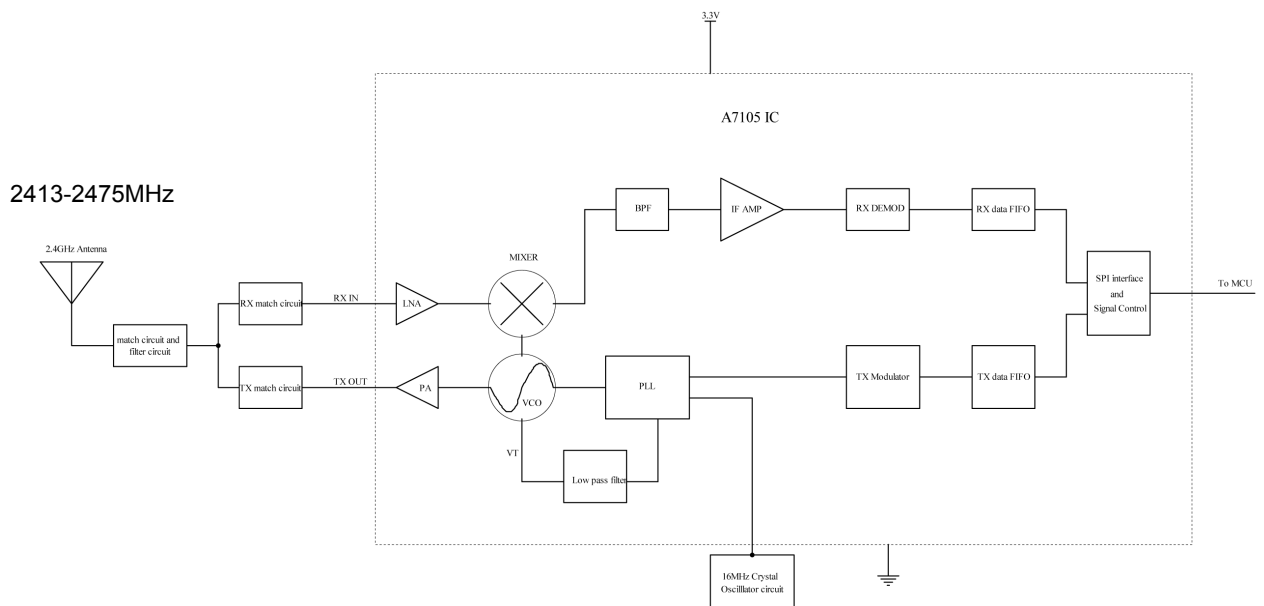
REMARKS:

IC information:

History:

Block Diagram

A7105 MODULE BLOCK DIAGRAM



Trinity EIC