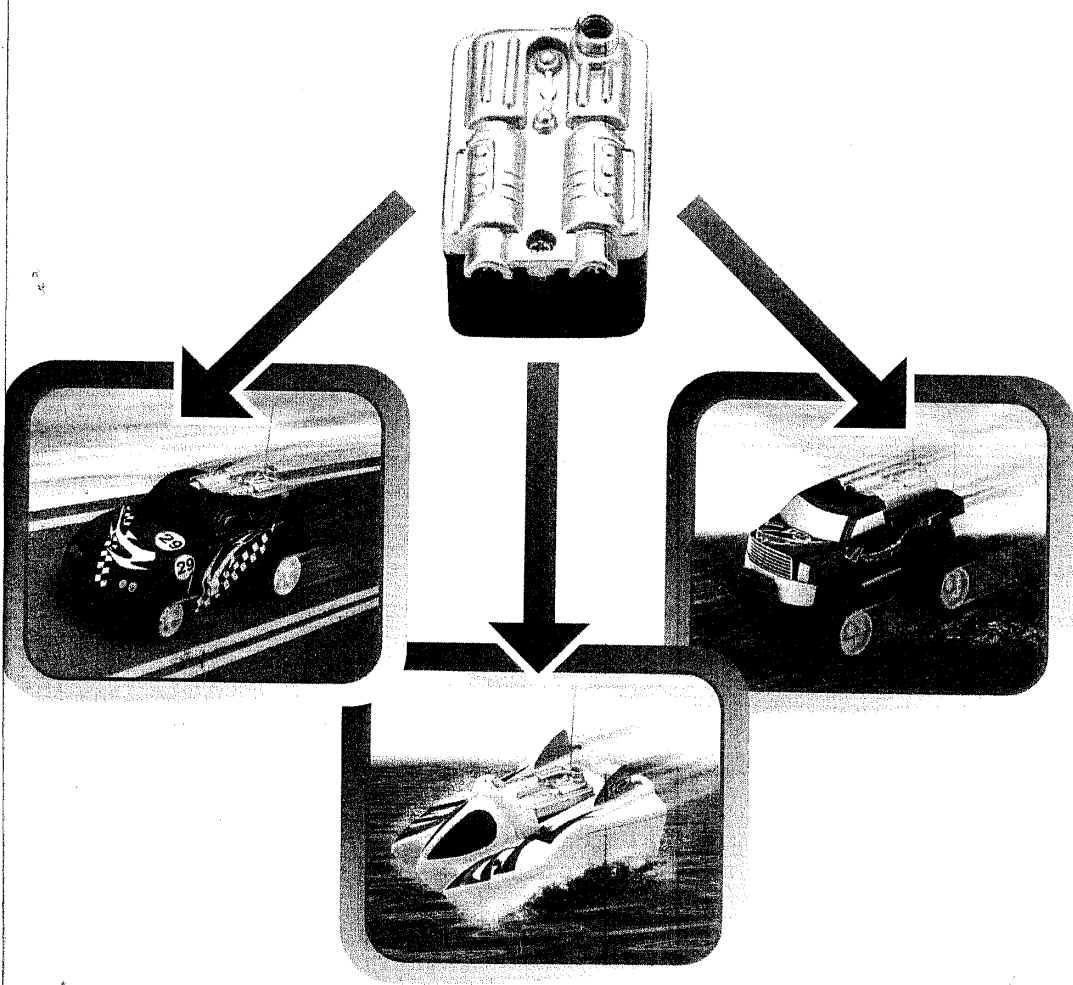




POWER CHANGERS™



ENG

Retain these instructions for future reference: they contain important information.

ESP

Guardar estas instrucciones para futura referencia,
ya que contienen información de importancia acerca de este juguete.

F

Conserver ces instructions pour s'y référer en cas de besoin. Des renseignements importants s'y trouvent.



ENG

Register your vehicle online!
U.S. consumers may also register at the toll-free number below.
Questions or problems with your vehicle? **DON'T RETURN IT TO THE STORE!** Just click or call.

ESP

¡Registre su vehículo en línea!
O llámenos por teléfono para registrar su vehículo, marcando el número que aparece más abajo.
Si tiene alguna pregunta o problema con el vehículo, **NO DEVUELVA EL PRODUCTO AL LOCAL DONDE LO ADQUIRIÓ.** Simplemente haga clic o llámenos.

F

Enregistrer le véhicule en ligne!
Les consommateurs des États-Unis peuvent aussi enregistrer leur véhicule en composant le numéro sans frais ci-dessous.
Des questions sur votre véhicule ou des problèmes? **NE PAS LE RETOURNER AU MAGASIN!** Il suffit de cliquer ou d'appeler.



tycorc.com
U.S.: 1-888-557-TYCO
CANADA: 1-800-665-6288
MÉXICO: 54-49-41-00



COMPLIANCE WITH FCC REGULATIONS (VALID IN U.S. ONLY - VALABLE AUX E.-U. SEULEMENT)

THIS DEVICE COMPLIES WITH PART 15 FCC RULES. OPERATION OF THIS DEVICE IS SUBJECT TO THE FOLLOWING TWO CONDITIONS:

1. THIS DEVICE MAY NOT CAUSE HARMFUL INTERFERENCE.
2. THIS DEVICE MUST ACCEPT ANY INTERFERENCE RECEIVED, INCLUDING INTERFERENCE THAT MAY CAUSE UNDESIRABLE OPERATION.

This device generates and uses radio frequency energy and if not used properly may cause interference to radio and television reception. It has been tested and found to comply with the limits set by the FCC which are designed to provide reasonable protection against such interference.

NOTE: Changes or modifications not expressly approved by the manufacturer responsible for compliance could void the user's authority to operate the equipment.

RSS - 210 (Canada)

(VALID FOR CANADA ONLY - VALABLE AU CANADA SEULEMENT)

This device complies with RSS-210 of Industry Canada. Operation is subject to the following two conditions: (1) this device may not cause harmful interference and (2) this device must accept any interference received, including interference that may cause undesired operation. Ce dispositif est conforme au CNR-210 d'Industrie Canada. L'utilisation de ce dispositif est autorisée seulement aux conditions suivantes: (1) il ne doit pas produire de brouillage et (2) l'utilisateur du dispositif doit être prêt à accepter tout brouillage radioélectrique reçu, même si ce brouillage est susceptible de compromettre le fonctionnement du dispositif.

CNR-210 d'Industrie Canada (CANADA SEULEMENT)

27.145 MHz TX RF = 78.4 dBµV/m @ 3m
49.860 MHz TX RF = 75.3 dBµV/m @ 3m

U.S.A.

90-DAY LIMITED WARRANTY - TYCO® R/C PRODUCTS

Mattel, Inc. warrants to the original consumer purchaser that this product will be free of defects in material and workmanship for ninety (90) days (unless specified in alternate warranties) from the date of purchase. Mattel will replace the product in the event of such a defect within the warranty period.

In the event of a defect covered under this warranty, first call the toll-free number listed below. Many problems can be solved in this manner. If necessary, you will be instructed to return the product, postage prepaid and insured, to the address below. Enclose your name, address, dated sales receipt, and a brief explanation of the defect. Replacement and return shipment will be free of charge.

This warranty does not cover damage resulting from unauthorized modification, accident, misuse or abuse. If the product is returned without a dated sales receipt the product may be excluded from coverage under this warranty.

Mattel's liability for defects in material and workmanship under this warranty shall be limited to replacement, and in no event shall we be responsible for incidental, consequential, or contingent damages (except in those states that do not allow this exclusion or limitation). This warranty is exclusive, and is made in lieu of any express or implied warranty. **Valid only in U.S.A.** This warranty gives you specific legal rights and you may have other rights, which vary from state to state. Some states do not allow the exclusion of incidental or consequential damages, so the above exclusions or limitations may not apply to you.

TOLL-FREE NUMBER: 1-888-557-TYCO (8926) (valid only in U.S.A.)

Hours: 8:00 A.M. - 5:00 P.M. Eastern Time; Monday - Friday. Expect some delay in January following the holiday season. Please be patient and keep trying the toll-free number.

ADDRESS FOR RETURNS: CONSUMER RELATIONS, 636 GIRARD AVENUE, EAST AURORA, NY 14052

CANADA

90-DAY LIMITED WARRANTY

Mattel, Inc. warrants to the original consumer purchaser that this product will be free of defects in material and workmanship for ninety (90) days (unless specified in alternate warranties) from the date of purchase. If defective, return the product along with proof of the date of purchase, postage prepaid to Mattel Canada Inc., Consumer Service, 6155 Freemont Blvd., Mississauga, Ontario L5R 3W2 for replacement with an identical toy or a similar toy of equal or greater value according to availability. This warranty gives you specific legal rights and you may have other rights which vary from province to province. This warranty does not cover damage resulting from accident, misuse or abuse. **Valid for products sold in Canada only.**

YOU MAY CALL US FREE AT 1-800-665-6288 Monday - Friday, 8:00 a.m. - 5:00 p.m. EST; 5:00 a.m. - 2:00 p.m. PST.

CANADA

GARANTIE LIMITÉE DE 90 JOURS

Mattel garantit à l'acheteur initial que le produit est couvert contre les vices de matériau ou de fabrication pour une période de 90 jours (à moins d'indication contraire dans d'autres garanties) à compter de la date d'achat. Tout produit défectueux doit être retourné, accompagné d'une preuve de la date d'achat et dûment affranchi, au Service à la clientèle de Mattel Canada Inc., 6155, Freemont Blvd., Mississauga (Ontario) L5R 3W2, où il sera remplacé par un produit identique ou un produit semblable de valeur égale ou supérieure, selon la disponibilité. La présente garantie procure certains droits légaux à l'acheteur, qui peut également bénéficier de droits supplémentaires qui varient d'une province à l'autre. La présente garantie ne couvre pas les dommages occasionnés par un accident ou un usage abusif ou inapproprié. **Valable pour les produits vendus au Canada seulement.**

QUESTIONS OU COMMENTAIRES? COMPOSEZ SANS FRAIS LE 1 800 665-MATTEL (1 800 665-6288) du lundi au vendredi, de 8 h à 17 h (HNE) ou de 5 h à 14 h (HNP).

MÉXICO

PÓLIZA DE GARANTÍA

Mattel de México, S.A. De C.V., garantiza sus productos por un periodo de 90 días en todas sus partes y mano de obra, a partir de la fecha de entrega. Condiciones: 1.- El consumidor presentará el producto en el lugar donde lo adquirió y/o presentarlo o enviarlo a nuestro centro de servicio ubicado en Lebrija 296-a. Col. Cerro de la Estrella, Iztapalapa C.P. 09880, México, D.F. Tels: 426-44-87 y 426-44-38 2.- Durante la vigencia de esta póliza nos comprometemos a efectuar sin cargo la reparación, en un plazo que no excederá de 30 días a partir de la fecha de recepción del producto en nuestro centro de servicio, o al cambio del producto defectuoso en su caso. Así mismo cubrimos gastos que se deriven de la presente garantía. 3.- Refacciones para este producto podrán ser adquiridas en nuestro centro de servicio. Esta garantía se invalida en los siguientes casos: si ha sufrido un deterioro esencial, grave o irreparable por causa del consumidor, por daños causados por maltrato, mal uso, golpes accidentales o intencionales, o que el artículo se hay expuesto a elementos

como agua (a excepción de que el instructivo indique otra cosa), ácidos, fuego, intemperie, así como daños causados por baterías que se dejen dentro del juguete por largos periodos de tiempo sin uso.

NOMBRE DEL CONSUMIDOR: _____

LÍNEA DE PRODUCTO: _____

SERIE: _____

MODELO: _____

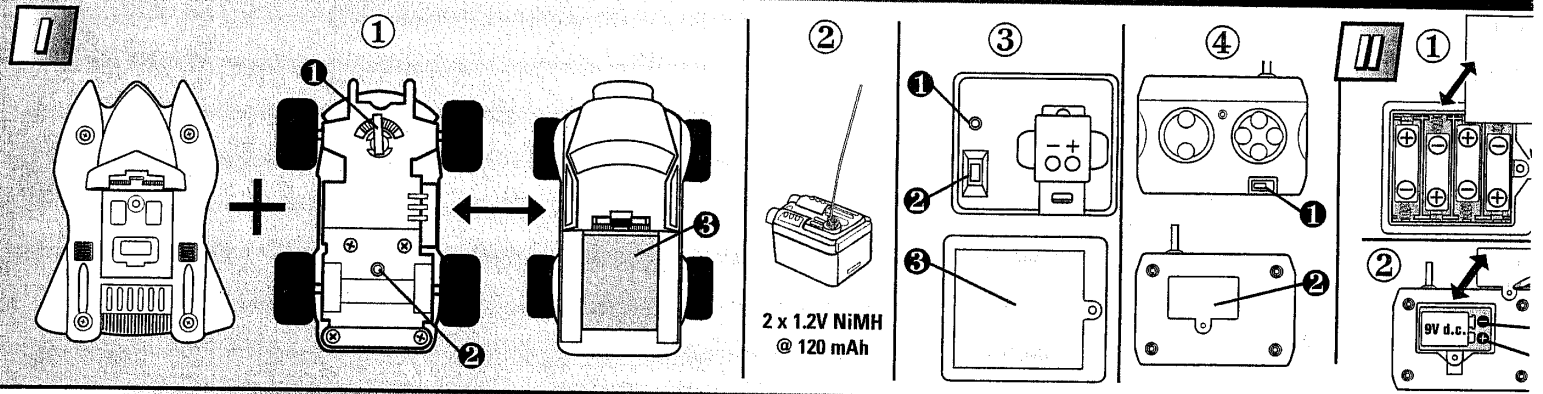
NOMBRE DEL DISTRIBUIDOR: _____

DIRECCIÓN: _____

SELLO O FIRMA DEL DISTRIBUIDOR: _____

FECHA DE COMPRA: _____

FECHA DE ENTREGA: _____



ENG

This Power Changers™ set is part of a cool radio control system that features a rechargeable power module that can be used in lots of different vehicle bodies. This set comes with 2 vehicles; other accessory vehicles are sold separately.

CONTENTS

- This set includes:
- ① 2 vehicle bodies: 1 boat and 1 car or truck.
 - ② Steering adjuster (some vehicles only): adjust, if necessary, to keep vehicle running straight.
 - ③ Power Module eject button (some vehicles only)
 - ④ Engine compartment (power module snaps in here)
- The boat features an adjustable rudder instead of a steering adjuster. Adjust the rudder to adjust the boat's steering.
- ② Interchangeable power module (powers either vehicle)
 - ③ Power Module Charger (recharges power module)
 - ④ LED
 - ⑤ ON/OFF switch
 - ⑥ Battery door
 - ④ Transmitter (controls either vehicle)
 - ⑤ ON/OFF switch
 - ⑥ Battery door

II. BATTERY INSTALLATION

- ① Charger
 - ① UnscREW battery door (screwdriver not included).
 - ② Install 4 AA alkaline batteries, with polarity (+/-) as shown, inside battery compartment.
 - ③ Close battery door and tighten screw.
- ② Transmitter
 - ① UnscREW battery door (screwdriver not included).
 - ② Install 1 9V battery with polarity (+/-) as shown inside battery compartment.
 - ③ Close battery door and tighten screw.

III. CHARGING THE POWER MODULE

- The interchangeable power module must be charged before using. To charge the power module, first make sure you have installed 4 AA alkaline batteries in the charger as shown in Section II. Then follow these easy steps:
- ① Insert the power module into the charger as shown. Make sure the power module is securely in place.
 - ② Turn the charger switch to CHARGE position .
 - ③ The red LED charge indicator will come on to show that the power module is being charged.
 - ④ When the charge indicator goes off (about 2 minutes), the power module is charged.
 - ⑤ Turn the charger switch to OFF position .
 - ⑥ Press the release and remove the power module from the charger.

The charged power module will run your vehicle for about 3-4 minutes. After that, you may recharge the power module for more driving fun.

Do not attempt to recharge a charged power module. Additional charging will not increase running time.

IV. INSTALLING POWER MODULE IN VEHICLE

- Once the power module is charged, you must install it in your vehicle.
- ① Insert the power module into the vehicle as shown. Make sure the power module is securely in place.
 - ② To remove the power module press the release button and remove the power module from the vehicle. Use the power module eject button (if equipped) to push the power module up for removal.
 - ③ Recharge the power module for more driving action.

Because the vehicle bodies differ slightly in design, the location of the release button may vary slightly.

V. VEHICLE OPERATION

Turn the transmitter switch to ON position in order to run and control your vehicle. When you're done, be sure to turn the transmitter switch to OFF position .

Because the Power Changers™ transmitter is designed to work with different vehicle bodies, it features 2 different steering systems.

- ① The car and truck drive like this:
 - ① FORWARD
 - ② REVERSE
 - ③ LEFT
 - ④ RIGHT
- ② The boat drives like this:
 - ① FORWARD
 - ② REVERSE
 - ③ LEFT
 - ④ RIGHT

Power Changers™ accessory vehicles (sold separately) drive like EITHER the car/truck OR the boat, depending on the vehicle design.

NOTE: The power module contains the radio-control receiver for the vehicle. The radio frequency of the transmitter (shown on the package) matches the frequency of the power module. Any power module will work in any vehicle, but the frequencies of the power module

and the transmitter must match.

VI. CONSUMER INFORMATION

Note to Adults: To ensure that the child's play is both safe and fun, please review all operating instructions and safety rules with your child. These instructions and safety rules also apply to Power Changers™ accessory vehicles (sold separately).

- Safety Tips**
- NEVER drive your car/truck on streets! They're for real cars!
 - DO NOT pick up vehicle while in motion.
 - Keep fingers, hair and loose clothing away from the tires and the wheel hubs (or the boat's propeller drive) while the transmitter is switched ON.
 - Adult supervision is recommended when this vehicle is being operated.
 - To avoid accidental operation, remove all batteries (and the power module) when not in use.
 - Do not operate the boat near swimmers. Stand away from the water's edge when operating. Don't expose the transmitter or charger to water.

BATTERY SAFETY INFORMATION

- Insure that battery polarity is correct.
- Use only batteries of the type recommended (or equivalent).
- Do not mix old and new batteries.
- Do not mix alkaline, standard (carbon-zinc), or rechargeable (nickel-cadmium) batteries.
- Remove used-up batteries immediately. Remove batteries if vehicle will not be used for a long period.
- Do not recharge non-rechargeable batteries.
- Do not short-circuit terminals.
- Remove rechargeable batteries before recharging (if the batteries are designed to be removable).
- Recharge batteries only under adult supervision (if the batteries are designed to be removable).
- Dispose of batteries safely. Do not dispose of batteries (or products containing non-replaceable batteries) in fire, as batteries may explode or leak.

Battery Performance Note:
For best performance use regular or high-performance alkaline batteries (where disposable batteries are called for). If your vehicle is supplied with standard (carbon-zinc) batteries for initial use and/or demonstration purposes, we recommend replacing them with alkaline batteries when necessary. Battery life may vary depending on battery brand.

- CAUTIONS**
- DO NOT RECHARGE POWER MODULE IF IT'S HOT. ALLOW IT TO COOL BEFORE RECHARGING.
 - DO NOT CHARGE A POWER MODULE THAT SHOWS LEAKAGE OR CORROSION.
 - DO NOT DISASSEMBLE THE POWER MODULE. THE POWER MODULE IS A SEALED NIMH (NICKEL-METAL HYDRIDE) BATTERY.
 - DO NOT DISPOSE OF THE POWER MODULE IN FIRE.
 - EXERCISE CAUTION IN HANDLING A HOT POWER MODULE.
 - IF POWER MODULE AND/OR CHARGER ARE WET, THOROUGHLY DRY BEFORE CHARGING.

Unlike NiCd (Nickel-Cadmium) rechargeable batteries, the rechargeable power module is powered by Nickel-Metal Hydride technology, and requires no special procedures or precautions for disposal. However, as with all products, you should dispose of your battery pack in an environmentally responsible and considerate manner.

CAUTION:
Only use charger supplied with this toy. Do not use any other charging source.

QUICK TIPS

1. When your vehicle starts to lose power, it may lose functions or performance. It's time to recharge the power module. When the charger no longer recharges the power module, it's time to replace the charger batteries.
2. Radio interference can make your vehicle run badly. Interference can be caused by other R/C vehicles running on the same frequency; electrical wires; large buildings; or CB radios. Try to stay away from these!
3. Point your transmitter antenna up - not down toward your vehicle. If your vehicle gets too far away, it won't work properly.
4. Don't drive the car/truck through sand, water or snow.
5. The boat is designed for operation in calm, fresh, shallow water (like a bathtub). AVOID SALT WATER OPERATION. When operating the boat in water, keep the vehicle as close to the transmitter as possible. The water will reduce the range of the vehicle.
6. Don't store any components near heat or in direct sunlight. Always turn all switches OFF and remove all batteries (and the power module) for storage. After each use, remove any water or moisture from vehicle using a clean dry cloth.

Este conjunto Power Changers es parte de un increíble sistema de radiocontrol que incluye un módulo de alimentación recargable que se puede usar en varios diferentes estilos de carrocería. Este conjunto incluye 2 vehículos; otros vehículos se venden por separado.

CONTENIDO

- Este conjunto incluye:
- ① 2 carrocerías: 1 bote y 1 auto o camioneta.
 - ② Regulador de dirección (sólo algunos vehículos): ajustar, si es necesario, para que el vehículo avance en línea recta.
 - ③ Botón de expulsión del módulo de alimentación (sólo algunos vehículos)
 - ④ Compartimento del motor (el módulo de alimentación se ajusta aquí)
- El bote incluye un timón ajustable en lugar del regulador de dirección. Mover el timón para ajustar la dirección del bote.
- ② Módulo de alimentación intercambiable (acciona los dos vehículos)
 - ③ Cargador (carga el módulo de alimentación)
 - ④ LED
 - ⑤ Interruptor de ENCENDIDO/APAGADO
 - ⑥ Tapa del compartimento de pilas
 - ④ Transmisor (controla los dos vehículos)
 - ⑤ Interruptor de ENCENDIDO/APAGADO
 - ⑥ Tapa del compartimento de pilas

II. COLOCACIÓN DE LAS PILAS

- ① Cargador
 - ① Destornillar la tapa del compartimento de pilas (destornillador no incluido).
 - ② Introducir cuatro pilas alcalinas tipo 4 x "AA" (LR6) x 1,5V con las polaridades (+/-) tal como se muestra dentro del compartimento.
 - ③ Cerrar la tapa del compartimento y ajustar el tornillo.
- ② Transmisor
 - ① Destornillar la tapa del compartimento de pilas (destornillador no incluido).
 - ② Introducir una pila tipo 1 x 9V con las polaridades (+/-) tal como se muestra dentro del compartimento.
 - ③ Cerrar la tapa del compartimento y ajustar el tornillo.

III. CARGAR EL MÓDULO DE ALIMENTACIÓN

- Cargar el módulo de alimentación intercambiable antes de usarlo. Para cargarlo primero cerciorarse de instalar cuatro pilas alcalinas tipo 4 x "AA" (LR6) x 1,5V en el cargador, tal como se muestra en la sección II. Luego, seguir estos pasos fáciles:
- ① Introducir el módulo de alimentación en el cargador como se muestra. Cerciorarse de que el módulo de alimentación esté seguro en su lugar.
 - ② Colocar el interruptor del cargador en la posición de CARGAR .
 - ③ Se iluminará el indicador LED rojo para indicar que se está cargando el módulo de alimentación.
 - ④ Después de que se apague el indicador de carga (aproximadamente 2 minutos), el módulo de alimentación queda cargado.
 - ⑤ Colocar el interruptor del cargador en la posición de APAGADO .
 - ⑥ Presionar el seguro y retirar el módulo de alimentación del cargador.

El módulo de alimentación cargado accionará el vehículo por aproximadamente 3 a 4 minutos. Después de eso, será necesario volver a cargar el módulo de alimentación para más diversión manejando.

No cargar un módulo de alimentación que ya esté cargado. Cargarlo en exceso no aumentará la duración de funcionamiento.

IV. INSTALAR EL MÓDULO DE ALIMENTACIÓN EN EL VEHÍCULO

- Después de que el módulo de alimentación queda cargado, es necesario instalarlo en el vehículo.
- ① Introducir el módulo de alimentación en el vehículo, tal como se muestra. Cerciorarse de que el módulo esté seguro en su lugar.
 - ② Para retirar el módulo de alimentación, presionar el botón de seguro y quitar el módulo del vehículo. Usar el botón de expulsión del módulo de alimentación (de haber uno) para impulsar el módulo de alimentación para arriba para sacarlo.
 - ③ Cargar el módulo de alimentación para más acción de manejo.
- Ya que las carrocerías pueden variar ligeramente en diseño, la ubicación del botón de seguro puede variar.

V. FUNCIONAMIENTO DEL VEHÍCULO

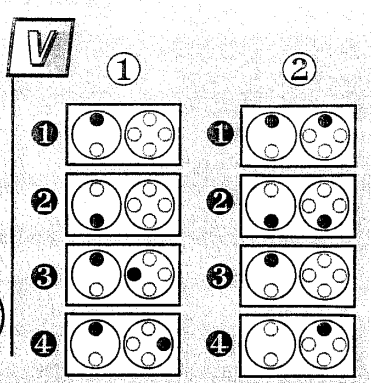
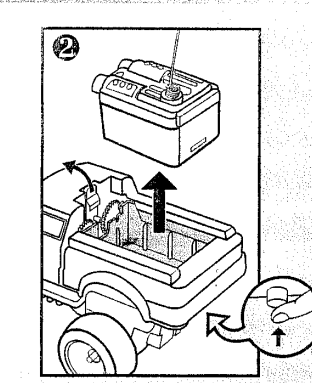
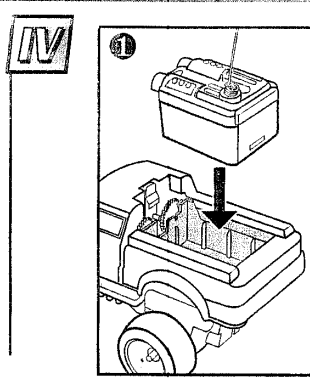
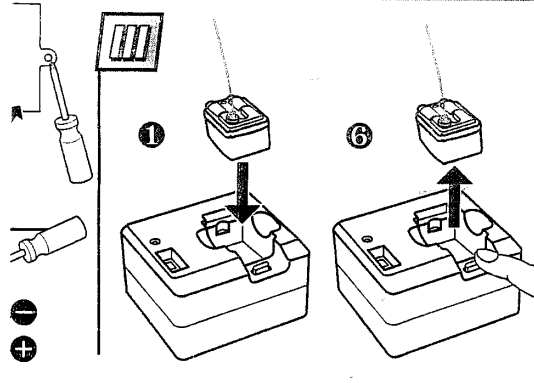
Colocar el interruptor del transmisor en la posición de ENCENDIDO para echar a andar y controlar el vehículo. Después de acabar de jugar, cerciorarse de colocar el interruptor del transmisor en la posición de APAGADO .

Ya que el transmisor Power Changers está diseñado para funcionar con diferentes carrocerías, incluye 2 diferentes sistemas de viraje.

- ① El auto y camioneta funcionan así:
 - ① MARCHA ADELANTE
 - ② REVERSA
 - ③ IZQUIERDA
 - ④ DERECHA
- ② El bote funciona así:
 - ① MARCHA ADELANTE
 - ② REVERSA
 - ③ IZQUIERDA
 - ④ DERECHA

Los vehículos Power Changers adicionales (se venden por separado) funcionan, YA SEA, como el auto/camioneta O como el bote, según el diseño del vehículo.

NOTA: El módulo de alimentación incluye el receptor de radiocontrol



P

para el vehículo. La radiofrecuencia del transmisor (mostrada en el empaque) es la misma que la frecuencia del módulo de alimentación. Cualquier módulo de alimentación es compatible con cualquier vehículo, pero las frecuencias del módulo de alimentación y del transmisor tienen que corresponder.

VI. INFORMACIÓN PARA EL CONSUMIDOR

Atención padres: Para cerciorarse de que el niño juegue de manera segura y divertida, repasar las instrucciones de funcionamiento y estas normas de seguridad con su hijo. Estas instrucciones y normas de seguridad también son válidas para los vehículos Power Changers adicionales (se venden por separado).

- Normas de seguridad**
- NO usar el auto/camioneta en la calle. Las calles son para autos de verdad.
 - NO levantar el vehículo mientras está en movimiento.
 - Mantener los dedos, cabello y ropa suelta alejados de las ruedas y los tapones (o del motor del bote) mientras el transmisor está ENCENDIDO.
 - Se recomienda la supervisión de un adulto cada vez que se utilice este vehículo.
 - Para evitar el uso accidental, sacar todas las pilas (y el módulo de alimentación) del producto cuando no esté en uso.
 - No usar el bote cerca de nadadores. No pararse cerca de la orilla del agua al usar el producto. No permitir que el agua entre en contacto con el transmisor o cargador.

INFORMACIÓN DE SEGURIDAD SOBRE LAS PILAS

- Introducir las pilas con los polos (+/-) como se muestra.
- Utilizar pilas del mismo tipo o equivalente.
- No mezclar pilas nuevas con gastadas.
- No mezclar nunca pilas alcalinas, estándar (carbóno-cinc) y recargables (níquel-cadmio).
- No dejar nunca pilas gastadas en el juguete. Sacar las pilas del juguete si no se va a utilizar durante un largo período de tiempo.
- No intentar cargar pilas no-recargables.
- Evitar cortocircuitos en los polos de las pilas.
- Antes de cargar las pilas recargables removibles, sacarlas del juguete.
- Cargar las pilas recargables siempre bajo supervisión de un adulto.
- Depositar las pilas gastadas en la basura.

Nota sobre el rendimiento de las pilas:
Para un rendimiento óptimo, usar pilas alcalinas (en el caso de tratarse de un juguete que funciona con pilas desechables). Si el vehículo incluye pilas estándar (carbóno-cinc) de fábrica para el uso inicial o a efectos de demostración, se recomienda sustituirlas por pilas alcalinas después de que se gasten. La duración de las pilas puede variar según la marca de éstas.

- PRECAUCIONES**
- NO CARGAR EL MÓDULO DE ALIMENTACIÓN SI ESTÁ CALIENTE. ESPERAR A QUE SE ENFRIE ANTES DE CARGARLO.
 - NO CARGAR UN MÓDULO DE ALIMENTACIÓN QUE PRESENTE MUESTRAS DE DERRAME O CORROSIÓN.
 - NO DESENSAMBLAR EL MÓDULO DE ALIMENTACIÓN. EL PAQUETE DE BATERÍA ES UNA BATERÍA NIHM SELLADA (NÍQUEL-HIDRURO DE METAL).
 - NO QUEMAR EL MÓDULO DE ALIMENTACIÓN.
 - TOMAR LAS DEBIDAS PRECAUCIONES PARA TOCAR UN MÓDULO DE ALIMENTACIÓN CALIENTE.
 - SI EL MÓDULO O EL CARGADOR ESTÁN MOJADOS, SECARLOS BIEN ANTES DE CARGARLOS.

A diferencia de las pilas recargables NiCd (níquel-cadmio), el módulo de alimentación recargable está accionado por tecnología de níquel-hidruro de metal, y no requiere procedimientos especiales o precauciones para desecharlo. Sin embargo, al igual que con todo producto, depositar el paquete de batería de una manera responsable que no dañe al medio ambiente.

PRECAUCIÓN:
Utilizar exclusivamente el cargador incluido con este juguete. No utilizar ninguna otra fuente de energía para cargar el juguete.

CONSEJOS ÚTILES

1. Cuando el vehículo empiece a perder potencia, quizá no funcione de manera óptima y el rendimiento sea pobre. Es hora de cargar el módulo de alimentación. Si el cargador deja de funcionar, es hora de sustituir las pilas del cargador.
2. La radiofrecuencia puede hacer que el vehículo no funcione correctamente. La interferencia puede ser causada por otros vehículos R/C en la misma frecuencia; cables eléctricos; edificios grandes; o radiotransmisores. Mantente alejado de estos elementos.
3. Apunta la antena del transmisor para arriba, en no dirección al vehículo. Si el vehículo se aleja demasiado, no funcionará correctamente.
4. No uses el auto/camioneta en arena, agua o nieve.
5. El bote está diseñado para usarse en agua fresca calmada de poca profundidad (por ejemplo, en una bañera). EVITAR USARLO EN AGUA SALADA. Al usar el bote en agua, mantén el vehículo lo más cerca posible al transmisor. El agua reducirá el alcance del vehículo.
6. No guardes ningún componente cerca de fuentes de calor o contacto directo con el sol. Siempre apaga todos los interruptores y saca todas las pilas (y el módulo de alimentación) antes de guardar el vehículo. Después de cada uso, seca el vehículo completamente usando un paño limpio y seco.

F

Cet ensemble Power Changers fait partie d'un super système télécommandé qui comprend un module d'alimentation rechargeable pouvant être utilisé dans un grand nombre de types de véhicules. Il comprend 2 véhicules; d'autres véhicules accessoires sont vendus séparément.

I. CONTENU

- Cet ensemble comprend :
- 1 2 types de véhicule : 1 bateau et 1 voiture ou 1 camion
 - 1 Bouton d'ajustement de la direction (dans certains véhicules seulement), pour ajuster au besoin l'alignement du véhicule.
 - 1 Bouton d'éjection du module électrique (certains véhicules seulement)
 - 1 Compartiment du moteur (Le module d'alimentation s'emboîte ici.)
- Le bateau est équipé d'un gouvernail réglable au lieu d'un bouton d'ajustement de la direction. Ajuster le gouvernail pour régler la direction du bateau.**
- 1 module d'alimentation interchangeable (pour alimenter l'un ou l'autre des véhicules)
 - 1 chargeur (pour recharger le module d'alimentation)
 - 1 LED
 - 1 Interrupteur ON/OFF (marche/arrêt)
 - 1 Couverture du compartiment des piles
 - 1 émetteur (pour diriger l'un ou l'autre des véhicules)
 - 1 Interrupteur ON/OFF (marche/arrêt)
 - 1 Couverture du compartiment des piles

II. INSTALLATION DES PILAS

- 1 Chargeur
 - 1 Dévisser le couvercle du compartiment des piles (tournevis non fourni).
 - 1 En respectant le sens des polarités, mettre 4 piles alcalines AA dans le compartiment comme indiqué.
 - 1 Fermer le couvercle et resserrer la vis.
- 1 Émetteur
 - 1 Dévisser le couvercle du compartiment des piles (tournevis non fourni).
 - 1 En respectant le sens des polarités, mettre 1 pile de 9 V dans le compartiment comme indiqué.
 - 1 Fermer le couvercle et resserrer la vis.

III. CHARGER LE MODULE D'ALIMENTATION

Le module d'alimentation interchangeable doit être chargé avant utilisation. Pour le charger, s'assurer que 4 piles alcalines AA ont été insérées dans le chargeur, comme indiqué à la section II. Puis, suivre ces étapes faciles :

- 1 Insérer le module d'alimentation dans le chargeur, comme indiqué. S'assurer que le module d'alimentation est bien en place.
- 1 Glisser l'interrupteur du chargeur sur la position CHARGE.
- 1 Le voyant de charge rouge s'allume pour indiquer que le module d'alimentation est en train d'être chargé.
- 1 Quand le voyant de charge s'éteint (après environ 2 minutes), le module d'alimentation est chargé.
- 1 Glisser l'interrupteur du chargeur sur la position OFF (arrêt).
- 1 Appuyer sur le bouton de dégagement et retirer le module du chargeur.

Le module d'alimentation chargé fera fonctionner le véhicule pendant environ 3 à 4 minutes. Puis, il faudra recharger le module d'alimentation pour faire fonctionner de nouveau le véhicule.

Ne pas tenter de recharger un module d'alimentation déjà chargé. Une charge additionnelle n'augmentera pas le temps d'autonomie.

IV. INSTALLER LE MODULE D'ALIMENTATION DANS LE VÉHICULE

- Une fois le module d'alimentation chargé, il doit être installé dans le véhicule.
- 1 Insérer le module d'alimentation dans le véhicule, comme indiqué. S'assurer que le module d'alimentation est bien en place.
 - 1 Pour retirer le module électrique, appuyer sur le bouton de verrouillage puis retirer le module électrique du véhicule. Utiliser le bouton d'éjection du module électrique (si le véhicule en est doté) pour faire sortir le module électrique et le retirer.
 - 1 Recharger le module d'alimentation pour faire fonctionner de nouveau le véhicule.

En raison des légères différences de conception, l'emplacement du bouton de dégagement peut varier quelque peu d'un véhicule à l'autre.

V. FONCTIONNEMENT DU VÉHICULE

Mettre l'interrupteur de l'émetteur à ON (marche) il pour faire rouler le véhicule et le diriger. Quand le jeu est terminé, ne pas oublier de mettre l'interrupteur à OFF (arrêt).

Comme l'émetteur Power Changers est conçu pour fonctionner avec des véhicules de types différents, il comporte 2 systèmes de direction.

- 1 La voiture et le camion se dirigent comme suit :
 - 1 MARCHE AVANT 1 VIRAGE À GAUCHE
 - 1 MARCHE ARRIÈRE 1 VIRAGE À DROITE
- 1 Le bateau se dirige comme suit :
 - 1 MARCHE AVANT 1 VIRAGE À GAUCHE
 - 1 MARCHE ARRIÈRE 1 VIRAGE À DROITE

Les véhicules accessoires Power Changers (vendus séparément) se dirigent comme la voiture et le camion OU comme le bateau, selon leur type.

REMARQUE : Le module d'alimentation comporte un récepteur télécom-

mandé pour le véhicule. La fréquence radio de l'émetteur (indiquée sur l'emballage) correspond à la fréquence du module d'alimentation. N'importe quel module d'alimentation fonctionne avec n'importe quel véhicule si la fréquence du module d'alimentation et celle de l'émetteur correspondent.

VI. RENSEIGNEMENTS POUR LES CONSOMMATEURS

À l'intention des parents : Lire les instructions d'utilisation et les règles de sécurité avec l'enfant pour s'assurer qu'il joue en toute sécurité. Cas instructions et ces règles de sécurité s'appliquent également aux véhicules accessoires Power Changers (vendus séparément).

- Conseils de sécurité**
- NE JAMAIS faire rouler le véhicule dans la rue. Seules les vraies voitures devraient y rouler!
 - NE PAS prendre un véhicule en mouvement.
 - Garder les doigts, les cheveux et les vêtements loin des pneus et des moyeux de roue (ou de l'hélice du bateau) quand l'interrupteur du véhicule est à ON (marche).
 - La surveillance d'un adulte est recommandée quand un enfant fait fonctionner ce véhicule.
 - Pour éviter une mise en marche accidentelle, enlever toutes les piles (et le module d'alimentation) quand le véhicule n'est pas utilisé.
 - Ne pas utiliser le bateau près de baigneurs. Se tenir loin du bord de l'eau. Ne pas exposer l'émetteur ou le chargeur à de l'eau.

CONSIGNES DE SÉCURITÉ CONCERNANT LES PILAS

- S'assurer de respecter le sens des polarités (+) et (-).
- Utiliser uniquement les piles recommandées (ou équivalentes).
- Ne pas mélanger des piles usées et des piles neuves.
- Ne pas mélanger des piles alcalines, standard (carbóno-zinc) ou recargables (níquel-cadmium).
- Retirer sans délai les piles usées. Retirer les piles quand le véhicule n'est pas utilisé pendant une longue période.
- Ne pas recharger des piles non recargables.
- Ne pas court-circuiter les bornes des piles.
- Retirer les piles recargables du produit avant de les charger (si elles sont conçues pour être retirées).
- La charge des piles doit être faite sous la surveillance d'un adulte (si elles sont conçues pour être retirées).
- Jeter les piles usées dans un conteneur réservé à cet usage.

Remarque sur le rendement des piles
Pour de meilleurs résultats, utiliser des piles alcalines ordinaires ou haute performance (si le produit fonctionne avec des piles jetables). Si des piles standard (carbóno-zinc) sont fournies avec le véhicule pour le mode de démonstration en magasin, il est recommandé de les remplacer par des piles alcalines quand elles devront être changées. La durée d'efficacité d'une pile varie selon les marques.

MISES EN GARDE :

- NE PAS RECHARGER UN MODULE D'ALIMENTATION CHAUD. LE LAISSER REFRIGÉRER AVANT DE LE RECHARGER.
- NE PAS CHARGER UN MODULE D'ALIMENTATION QUI FUIT OU QUI MONTRE DES SIGNES DE CORROSION.
- NE PAS DÉASSEMBLER UN MODULE D'ALIMENTATION. UN BLOC-PILES EST UNE PILE AU NIHM (HYDRURE MÉTALLIQUE DE NICKEL) SCÉLÉE.
- NE PAS JETER UN MODULE D'ALIMENTATION AU FEU.
- MANIPULER AVEC PRÉCAUTION UN MODULE D'ALIMENTATION CHAUD.
- SI UN MODULE D'ALIMENTATION OU UN CHARGEUR EST MOUILLÉ, L'ASSÉCHER COMPLÈTEMENT AVANT DE L'UTILISER.

Le module d'alimentation rechargeable tire sa puissance de la technologie de l'hydrure métallique de nickel, qui ne nécessite aucune précaution quant à sa mise au rebut, contrairement aux piles recargables NiCd (níquel-cadmium). Cependant, comme pour tous les produits, le bloc-piles doit être jeté de façon écologique.

MISE EN GARDE :
Utiliser uniquement le chargeur fourni avec ce jouet. Ne jamais utiliser d'autres sources de chargement.

CONSEILS

1. Quand le véhicule commence à perdre de la puissance, certaines fonctions peuvent ne plus être disponibles. Quand cela survient, il est temps de recharger le module d'alimentation. Quand le chargeur ne charge plus le module d'alimentation, il est temps de remplacer les piles du chargeur.
2. Le brouillage radioélectrique peut nuire au fonctionnement du véhicule. Le brouillage peut être provoqué par l'utilisation sur la même fréquence d'autres véhicules télécommandés, par la proximité de fils électriques, de grands immeubles ou de radios BP. Il est recommandé d'utiliser le véhicule loin de ces éléments.
3. L'antenne de l'émetteur doit pointer vers le haut, et non pas vers le bas, en direction du véhicule. Si le véhicule est trop éloigné, il ne fonctionnera pas correctement.
4. Ne pas faire rouler la voiture ou le camion dans le sable ou sur des surfaces mouillées ou enneigées.
5. Le bateau est conçu pour être utilisé en eau calme, douce et peu profonde (par exemple, dans une baignoire). NE PAS L'UTILISER DANS DE L'EAU SALÉE. L'émetteur et le bateau doivent être le plus près possible pendant l'utilisation. L'eau réduit la portée.
6. Ne ranger aucun élément près d'une source de chaleur ou en plein soleil. Toujours mettre les interrupteurs à OFF (arrêt) et enlever les piles (et le module d'alimentation) pour l'entreposage. Après chaque utilisation, enlever toute eau ou toute humidité sur le véhicule avec un linge propre et sec.