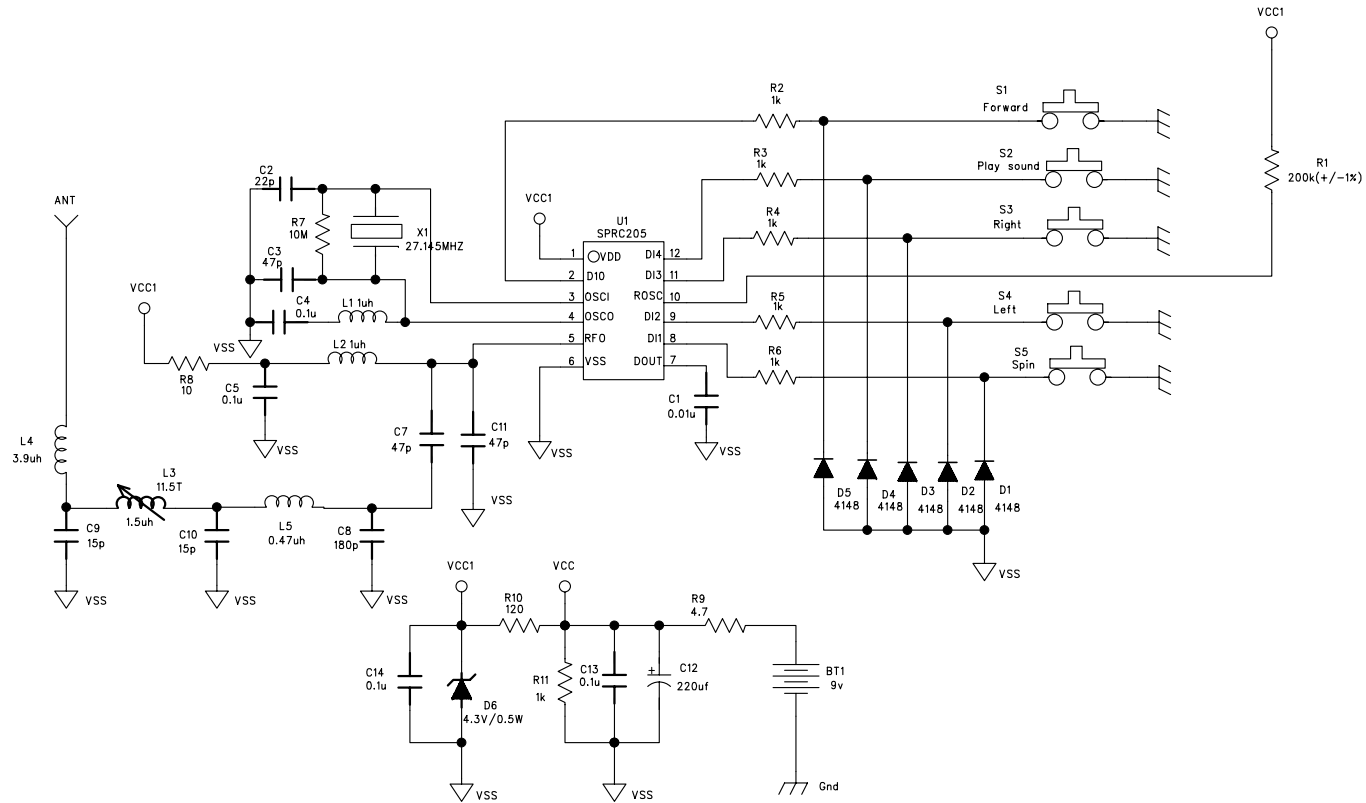


REV	DETAIL of CHANGES	DATE
	PRELIMINARY	



MODE: B3323	KIN YAT INDUSTRIAL CO.,LTD	
MODEL NO:	DESCRIPTION:	
PCB NO: 80TX149R0-94HB-1	Burger Mobile	
PCBA NO:	PAGE: 1	REV: R0
DICE NO:	ISSUED DATE: 2003.12.10	
DRAWN BY: Hong		