

OWER SYSTEMS

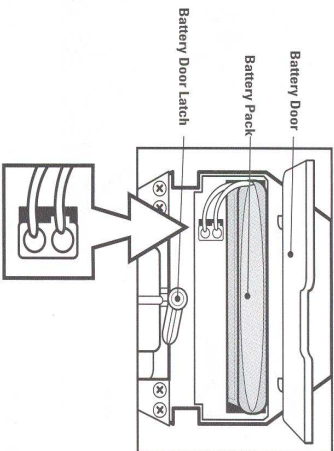
ur vehicle requires a 9.6V NiCd battery pack and charger. For detailed information regarding battery charging and safety, please follow the specific instructions in this manual.

VEHICLE BATTERY INSTALLATION

Rotate battery latch to open position. Open battery door. Insert battery pack into battery compartment as shown. Plug wire connector securely into battery compartment as shown. Close battery door. Rotate battery latch to locked position. To remove battery pack: turn latch, open battery door, unplug wire connector and lift battery out.

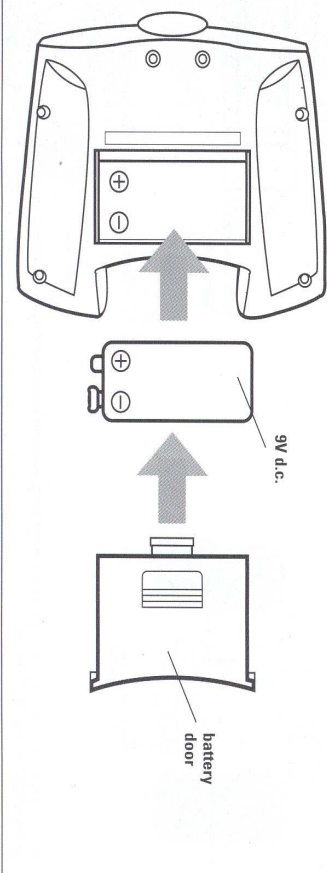
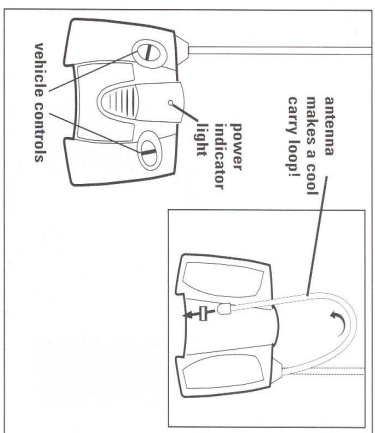


The battery door is designed to be removable. If it comes off the hinges, simply reattach it.



TRANSMITTER BATTERY INSTALLATION

To install transmitter battery, open battery door as shown. Install one 9V battery with polarity (+/-) as shown inside battery compartment. Push the battery door forward and snap shut.



CONSUMER INFORMATION:

IMPORTANT: Please read before operating your vehicle.

SAFETY INFORMATION

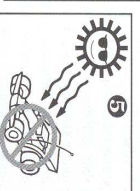
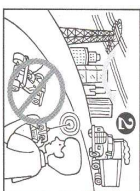
Note to Adults: To ensure that the child's play is both safe and fun, please review all operating instructions and safety rules with your child.

Safety Tips

- NEVER drive your vehicle on streets! They're for real cars!
- DO NOT pick up vehicle while in motion.
- Keep fingers, hair and loose clothing away from the tires and the wheel hubs while the vehicle is switched ON.
- Adult supervision is recommended when this vehicle is being operated.

QUICK TIPS

- 1 When your vehicle starts to lose power, it may lose functions or performance. It's time for fresh batteries (or a recharge). Your vehicle's running time may change depending on your driving style.
- 2 Radio interference can make your vehicle run badly. Interference can be caused by other RC vehicles running on the same frequency, electrical wires, large buildings, or CB radios. Try to stay away from these!



- 3 Part your transmitter antenna up - not down toward your vehicle. If your vehicle gets too far away, it won't work properly. If your transmitter has a carry-loop feature, make sure the antenna tips removed from the carry-loop holder and straightened before operating.
- 4 Don't drive your vehicle in sand or through water or snow.
- 5 Don't store your vehicle near heat or in direct sunlight. Always turn switches OFF and remove all batteries for storage.

TROUBLESHOOTING - PROBLEMS - SOLUTIONS

SYMPTOM

Vehicle runs slowly or will not run.

- Loose battery connection or vehicle switch not ON.
- Weak or uncharged/rechargeable NiCd battery.
- Weak transmitter battery.

CORRECTION

- Check battery connector and vehicle switch.
- Charge battery or replace.
- Replace with fresh alkaline battery.

Power indicator light on transmitter does not light.

- Transmitter battery weak or not connected.
- Radio interference likely.
- Antenna snapped into carry-loop holder (if equipped).

• Check connections and replace battery if required.

Erratic operation or only short range possible.

- Change location - see Point 2, "Quick Tips"
- Remove antenna tip from carry-loop holder and straighten.

• Vehicle will take several hours to dry. Allow to dry thoroughly overnight before trying again.

- Avoid driving in water or snow.

Vehicle doesn't work after going through water or snow.

- Water in the electronics area.

90-DAY LIMITED WARRANTY - TYCO® R/C PRODUCTS

Mattel, Inc. warrants to the original consumer purchaser that this product will be free of defects in material and workmanship for ninety (90) days (unless specified in alternate warranties) from the date of purchase. Mattel will replace the product in the event of such a defect within the warranty period. In the event of a defect covered under this warranty, first call the toll-free number listed below. Many problems can be solved in this manner. If necessary, you will be instructed to return the product, postage prepaid and insured, to the address below. Enclose your name, address, dated sales receipt, and a brief explanation of the defect. Replacement and return shipment will be free of charge. This warranty does not cover damage resulting from unauthorized modification, accident, misuse or abuse. If the product is returned without a dated sales receipt the product may be excluded from coverage under this warranty. Mattel's liability for defects in material and workmanship under this warranty shall be limited to replacement, and in no event shall we be responsible for incidental, consequential or contingent damages (except in those states that do not allow this exclusion or limitation). This warranty is exclusive and may have other rights, which vary from state to state. Some states do not allow the exclusion of incidental or consequential damages, so the above exclusions or limitations may not apply to you. TOLL-FREE NUMBERS: 1-888-527-7YCO (8926) (valid only in USA) Hours: 8:00 A.M. - 5:00 P.M. Eastern Time, Monday - Friday. Expect some delay in January following the holiday season. Please be patient and keep trying the toll-free number. ADDRESS FOR RETURNS: CONSUMER RELATIONS, 636 GIRARD AVENUE, EAST AURORA, NY 14052

© 2002 Mattel, Inc., Mt. Laurel, NJ 08054 U.S.A. PRINTED IN CHINA. All Rights Reserved. ® and ™ designate U.S. trademarks of Mattel, Inc.

Retain this address for future reference: Mattel U.K. Ltd., Vanwall Business Park, Maidenhead SL6 4UB, Maidenhead, Berkshire, SL6 4UB, U.K.

Mattel Australia Pty. Ltd., Richmond, Victoria 3121 - Consumer Advisory Service: 1800 800 812 Room 1106, South Tower, World Finance Centre, Harbour City, Tsimshatsui HK, China.

COMPLIANCE WITH FCC REGULATIONS

THIS DEVICE COMPLIES WITH PART 15 OF FCC RULES OPERATION OF THIS DEVICE IS SUBJECT TO THE FOLLOWING CONDITIONS:

- (1) THIS DEVICE MAY NOT CAUSE HARMFUL INTERFERENCE.
- (2) THIS DEVICE MUST ACCEPT ANY INTERFERENCE RECEIVED, INCLUDING INTERFERENCE from other radio devices.

This device generates and uses radio frequency energy and if not used properly may cause interference to radio and television reception. It has been tested and found to comply with the limits set by the FCC, which are designed to provide reasonable protection against such interference.



CAUTION: FCC Regulations state that changes or modifications to this product not expressly approved by the manufacturer responsible for compliance could void the user's authority to operate the equipment.

ase follow these instructions regarding
id vehicle battery charging and safety.
1 charger only under adult supervision.
**BATTERY CHARGING/CARE —
BY TURBO® BATTERY**

Plug wall pack charger into standard
10/120 volt outlet.
Connect the wires leading from the
battery pack to the wall pack charger
connector. Make certain the two con-
nectors are tightly strapped together.
To disconnect wires, push down on the
connector clip and pull apart.
Our battery pack consists of new parts
and materials; therefore, you should
charge the battery pack for 51/2 hours
the first two times you charge the bat-
tery. Subsequent charges will require
only 4 hours.

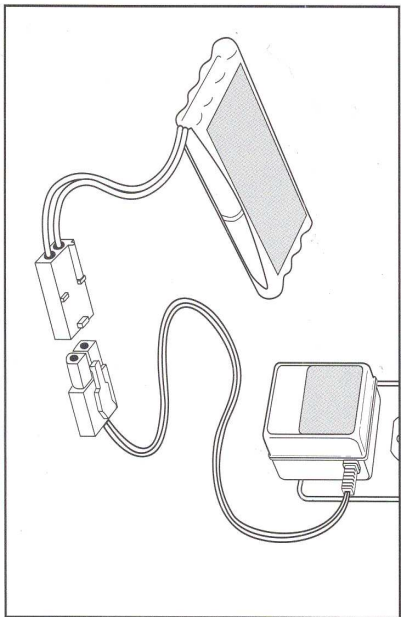
After charging for 4 hours, the battery
will feel warm. This condition is normal
for fully charged batteries.
Charging the battery pack for more
than 4 hours will not give you a longer
running time. 4 hours is all that is
required for a fully charged battery
pack.
Unlike alkaline batteries, where the
power loss is gradual, a NiCd (nickel-
cadmium) battery will run for its normal
running time, depending on your particu-
lar vehicle, and then lose most of its
power at once. It is time to recharge
the battery pack. Running time will
vary, depending upon which R/C vehi-
cle you have.
After use, the battery pack will be hot!
Wait at least 20 minutes until the bat-
tery pack cools before recharging.
Recharging a warm or hot battery pack
will greatly reduce the number of times
our battery pack can be recharged.

RECHARGEABLE BATTERY INFORMATION:

- ✦ DO NOT RECHARGE BATTERY PACK IF IT'S HOT. ALLOW IT TO COOL BEFORE RECHARGING.
- ✦ DO NOT RECHARGE A BATTERY PACK THAT SHOWS LEAKAGE OR CORROSION.
- ✦ DO NOT DISASSEMBLE THE BATTERY PACK. THE BATTERY PACK IS A SEALED RECHARGEABLE NICKEL-CADMIUM BATTERY.
- ✦ DO NOT DISPOSE OF THE BATTERY PACK IN FIRE.
- ✦ EXERCISE CAUTION IN HANDLING A HOT BATTERY PACK.
- ✦ IF BATTERY PACK AND/OR CHARGER ARE WET, THOROUGHLY DRY BEFORE CHARGING.
- ✦ DO NOT RECHARGE NON-RECHARGEABLE BATTERIES.

Note to Adults:

- Remove rechargeable batteries before recharging. Recharge batteries only under adult supervision.
- Regularly examine for damage to the plug, enclosure and other parts. In the event of any damage, the toy must not be used with the transformer until the damage has been repaired.
- This toy is not intended for children under 6 years old. The transformer is not a toy.



THIS PRODUCT USES A NICKEL-CADMIUM RECHARGEABLE BATTERY PACK. BATTERY MUST BE RECYCLED OR DISPOSED OF PROPERLY. FOR FURTHER INFORMATION REGARDING BATTERIES OR THEIR DISPOSAL PLEASE CALL 1-888-557-71CO.

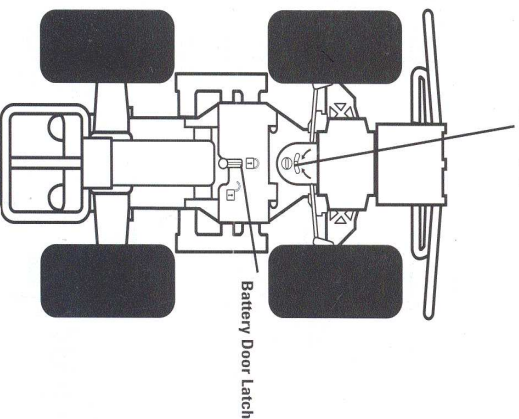


2.6V R/C

CONTENTS

- Vehicle
- Transmitter
- 9.6V NiCd Battery Pack
- 9.6V NiCd Charger
- 9V Battery

BOTTOM VIEW



Steering Adjuster
(adjust, if necessary, to keep
vehicle running straight)

Battery Door Latch

CAUTION-ELECTRIC TOY. NOT RECOMMENDED FOR CHILDREN UNDER 6 YEARS OF AGE. AS WITH ALL ELECTRIC PRODUCTS PREPARATIONS SHOULD BE OBSERVED DURING HANDLING AND USE TO PREVENT ELECTRICAL SHOCK. INPUT: 220VAC, 0.10A, 60Hz, CUSA OUTPUT: 11.500V, 1.500A

TYCO R/C SUPPORT REGISTER YOUR VEHICLE 2 WAYS!
Online...or toll-free!

1-888-557-71CO (8926)
tyco.com
If you have questions or problems with your vehicle, DON'T RETURN IT TO THE STORE... get help from the EXPERTS! Just click or call.

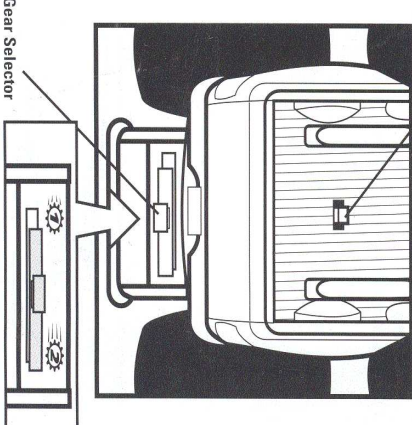
Keep these instructions for future reference; they contain important information. **WARNING:** Please read all "Consumer Information" (last page) before operating your vehicle.

CAUTION: Surfaces may become hot and cause burns if electronics get wet. Do not operate vehicle through water or snow.

VEHICLE OPERATION

- ▶ FORWARD
- ◀ REVERSE
- ◀ LEFT
- ▶ RIGHT

TOP VIEW



On/Off Switch

Gear Selector
(low/high)

Refer to label on transmitter and vehicle for frequency. Do not race vehicles with the same frequency.

MATTEL WHEELS®