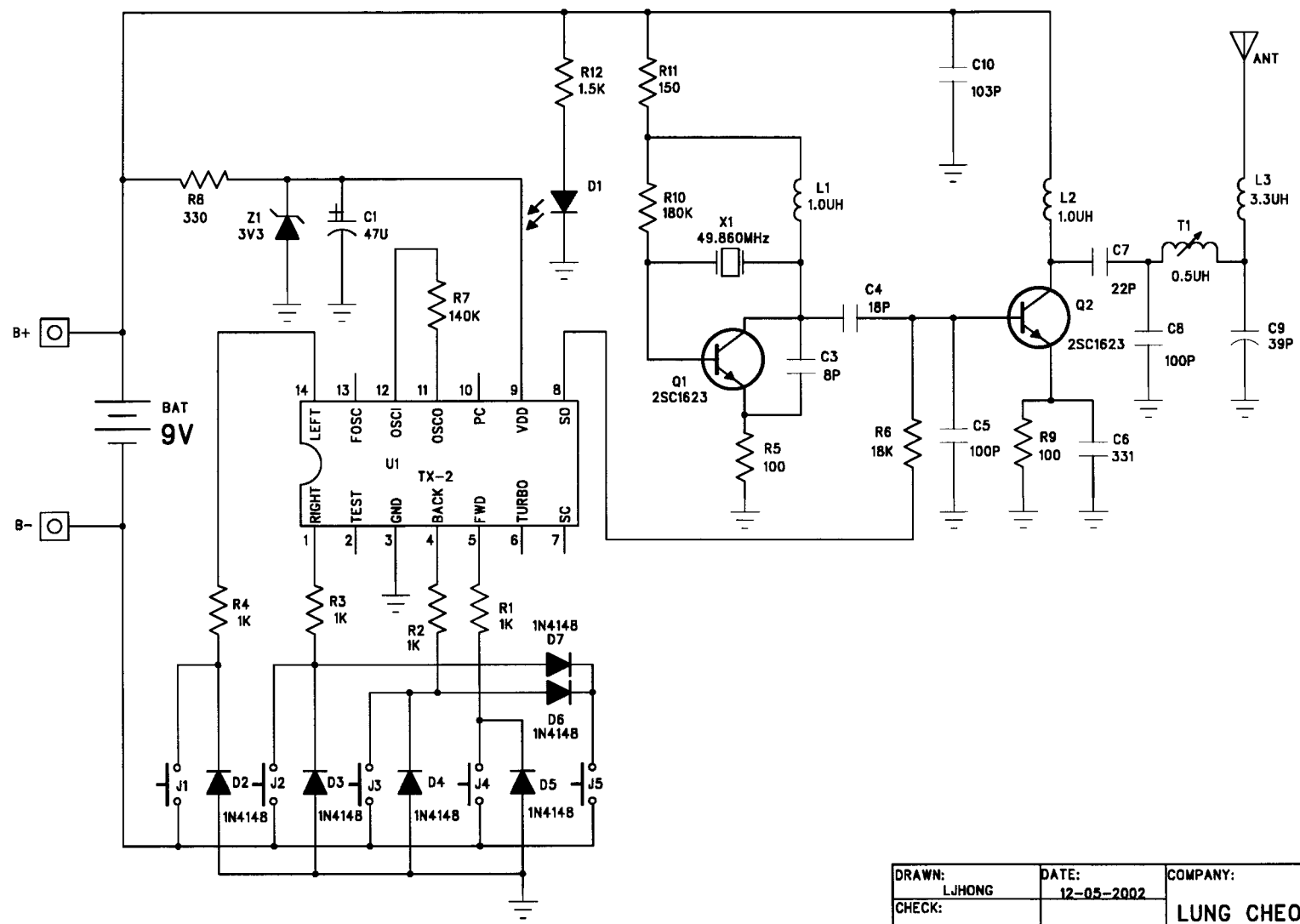


Updated circuit



DRAWN: LJHONG	DATE: 12-05-2002	COMPANY: LUNG CHEONG TOYS LIMITED	
CHECK:		TITLE: 80441-TX	REV: 1.0
APPROVED:		SCALE:	DWG NO. DZ02-080439-1
ENG:			
RELEASED:			