



# EUROPEAN ANTENNAS

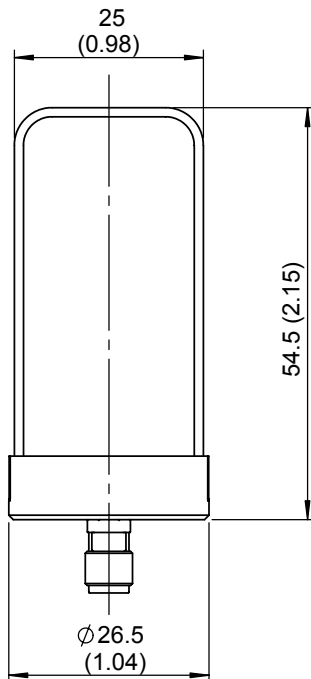
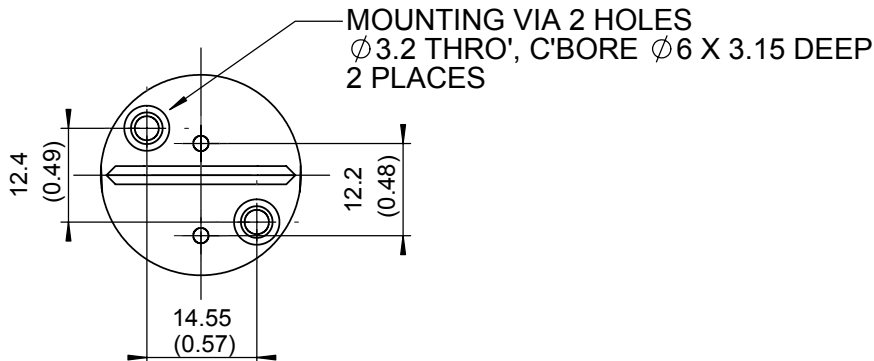
Excellence through design  
Creative in concept

## BLADE ANTENNA

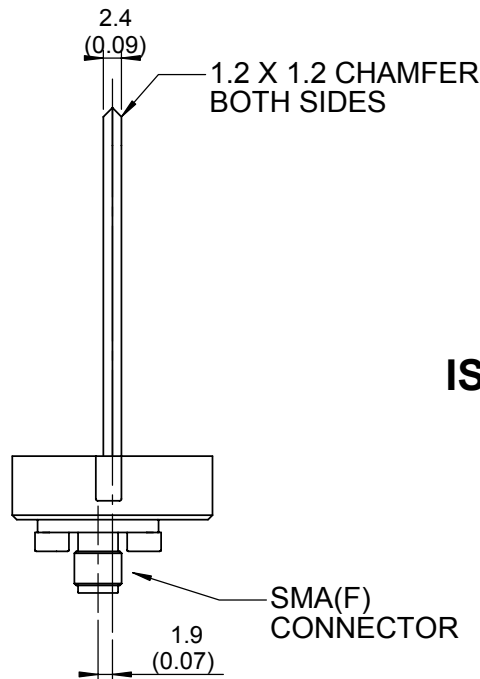
### MODEL: SBA-3800-D1/1040

<b>FREQUENCY:</b>	3.6 - 4.0 GHz	<b>GAIN:</b>	2 dBi
<b>POLARISATION:</b>	Linear (Vertical)	<b>BEAMWIDTH:</b>	360° (Az.) x 70 (El.) Approx.
<b>CROSS POLAR:</b>	20 dB Approx.	<b>VSWR:</b>	1.5:1 Typ, 2:1 Band Edges
<b>POWER RATING:</b>	4 W	<b>FRONT TO BACK:</b>	N/A
<b>TEMPERATURE:</b>	-20° to +50°C	<b>MASS:</b>	20g / 0.7 oz
<b>FINISH:</b>	Matt Black (Blade and top face only)	<b>WIND LOADING:</b>	0.22 Kg / 0.49 lbs @ 100 mph

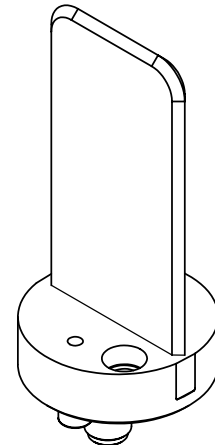
### TOP VIEW



**SIDE VIEW**



**FRONT VIEW**



**ISOMETRIC VIEW**

DIMENSIONS: mm (inches)	M
GA: 1040-1	Issued: 190203

EUROPEAN ANTENNAS LTD.

Tel: +44 (0)1638 731888  
Fax: +44 (0)1638 731999

LAMBDA HOUSE, CHEVELEY  
NEWMARKET, SUFFOLK, CB8 9RG,  
UNITED KINGDOM

E-Mail: [sales@european-antennas.co.uk](mailto:sales@european-antennas.co.uk)  
Website: [www.european-antennas.co.uk](http://www.european-antennas.co.uk)