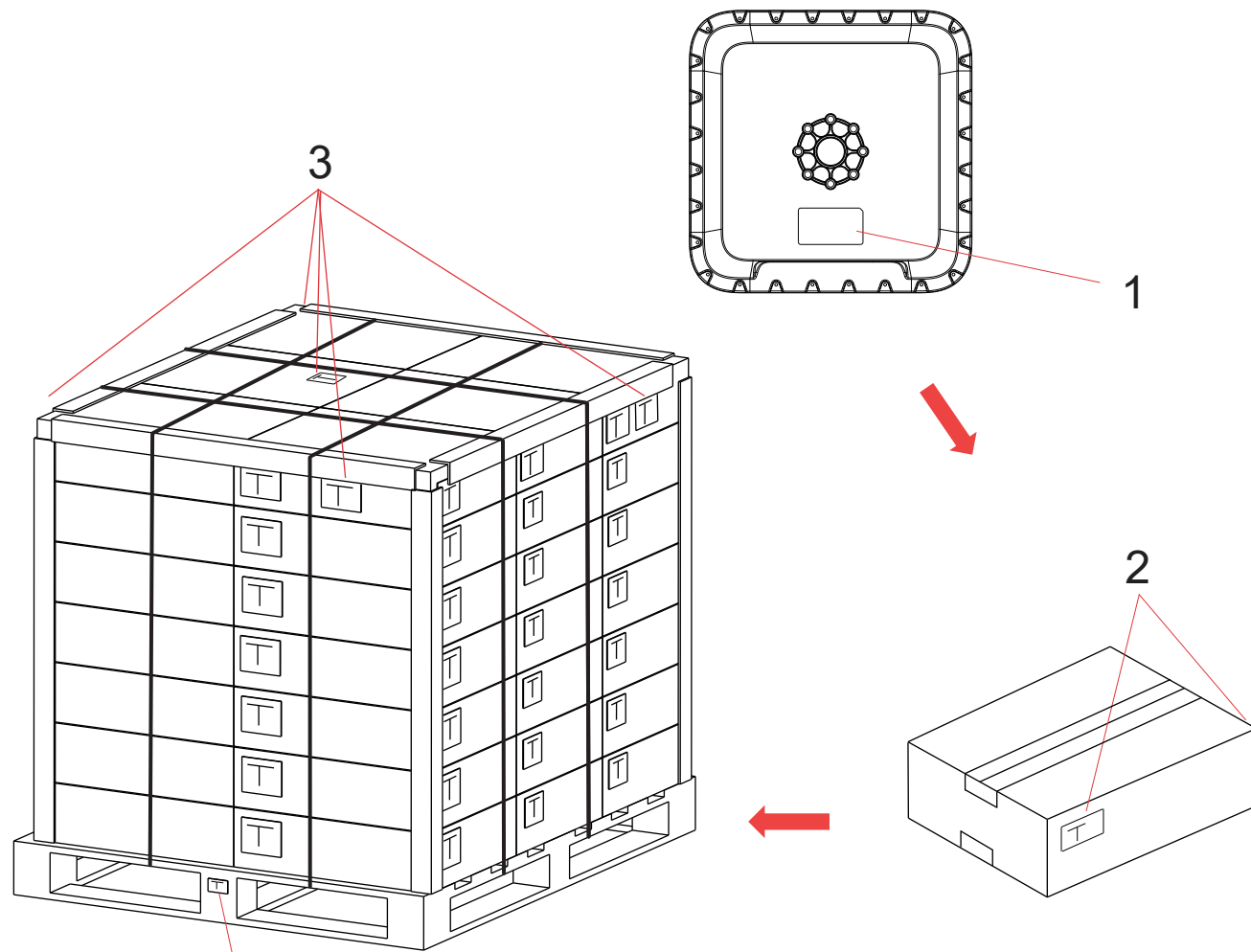


# label placement



4	Pallet label	503.00089.015	2/42
3	Shipping label	503.00672.005	5/42
2	Carton label	503.01644.005	2
1	Device label	504.01809.005	1
Item	Description	Foxconn PN	QTY

4 paste opposite

REV.	MARK.	ECN NO.	DATE	UPDATE DESCRIPTIONS	SIGNATURE
0	N/A	N/A	2020/06/03	First release	Joy Xu
1	N/A	N/A	2020/07/15	Add FCC and UL logo	Joy Xu
2	N/A	N/A	2020/07/16	Delete FCC and UL logo,change FCC ID position	Joy Xu
3	N/A	N/A	2020/07/25	Add UL logo	Joy Xu
4	N/A	N/A	2020/07/27	Add FCC statement	Joy Xu
5	N/A	N/A	2020/07/29	Delete UL logo	Joy Xu
6	N/A	N/A	2020/08/04	Update FCC ID number	Joy Xu
7	N/A	N/A	2020/08/06	Update FCC ID number	Joy Xu

一、 Device label (504.01809.005) on line print

**1.Model:**My-Pro-FC-B42H-43L-48-C12-CB ----Customer product Model  
Font: Arial Bold/Regular 6pt (fixed)

**2.P/N:**999-48-743-US---Customer product number  
Font: Arial Bold/Regular 6pt (fixed)

**3.Device IP:**192.168.1.1 Font: Arial Bold/Regular 6pt (fixed)

**4.SN:**ASXXXXXXXXXXYYWW Total 16 digits Font: Arial Regular 6pt

AS—> product name(fix)

XXXXXXXXXX—>serial number, 0000000001 to 9999999999

Y—> the last digits of year, such as 2020—> 0

WW—> week

Barcode content: ASXXXXXXXXXXYYWW

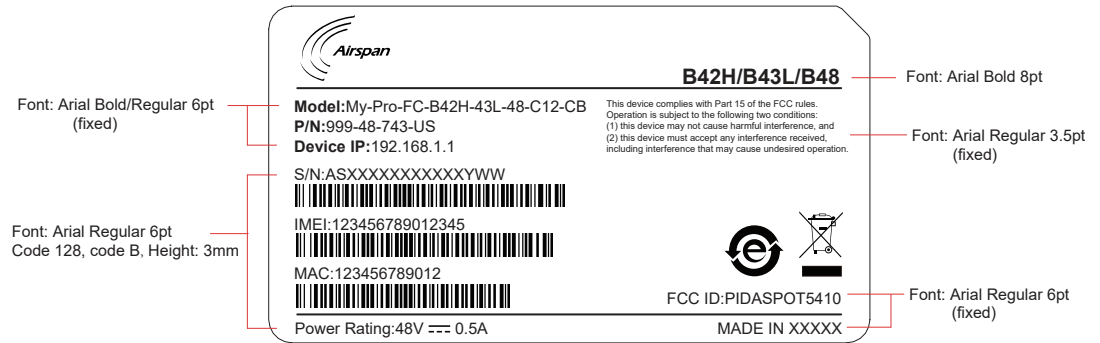
**5.IMEI:**123456789012345 Total 15 digits follow Foxconn rule.  
the last digit of Check digit

Barcode content: 123456789012345

**6.MAC:**123456789012 Total 12 digits follow Foxconn rule.  
Barcode content: 123456789012


**7.FCC ID:**PIDASPOT5410 (fixed) Font: Arial Regular 6pt

**8.MADE IN** XXXXX Font: Arial Regular 6pt  
XXXXX: Producer country



Label content

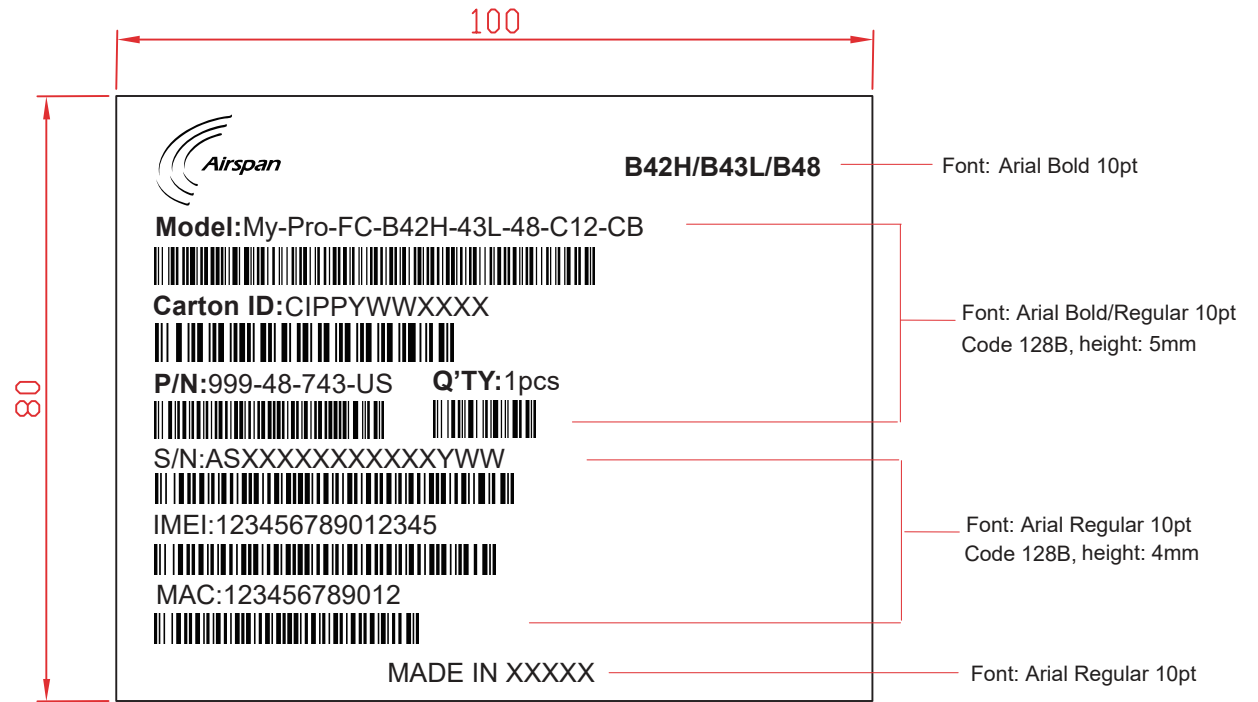
標籤制作粘貼方式/ T99W233.00/01/ 2 of 5

MATERIAL (SPEC.)										SCALE	 Foxconn Industrial Internet 富士康工业互联网				
FINISH										SHEET 1/1					
Select											UNIT	PART NAME			
Dim.	Qty.	A	B	C	EPS	EPE	BAG	CTN	Label	USR	MM	Device Label			
0~6		0.05	0.05	0.10								SIZE	MODEL	PART NO.	DESIGNED
6~30		0.10	0.15	0.20	0.50	0.50	3.00					A4	T99W233.00	504.01809.005	Joy Xu
30~120		0.15	0.20	0.30	0.50	0.50	5.00	2.00	0.25						
120~300		0.20	0.30	0.40	1.00	1.00	10.00	3.00	0.30						
300~450		0.25	0.40	0.50	2.00	2.00	15.00	5.00	0.50						
450~600		0.30	0.50	0.60	3.00	3.00	20.00	5.00	0.80						
DRAFT TOLERANCE													CUSTOMER MODEL	CUSTOMER PART NO.	APPROVED
															Bailey


D		C		B		A
REV.	MARK	ECR/ECN NO.	DATE	UPDATE	DESCRIPTION	SIGNATURE
0	N/A	N/A	2020/06/03	First Release		Joy Xu

二. Carton label (503.01644.005) on line print

- Model:** My-Pro-FC-B42H-43L-48-C12-CB ----Customer product Model (fixed)  
Barcode content: My-Pro-FC-B42H-43L-48-C12-CB
- Carton ID:** CIPPYWWXXXX, refer to Foxconn rule  
C: Carton  
I: location name  
PP: Product line  
Y: the last digit of year, such as 2020—> 0  
WW: Week Number from 01 to 52  
XXXX: serial carton number, 36 digit in the notation system (0~9,A~Z)  
reset from 0001 every one week  
Barcode content: CIPPYWWXXXX
- P/N:** 999-48-743-US---Customer product number (fixed)  
Barcode content: 999-48-743-US
- Q'TY:** 1pcs---the quantity of product in carton (fixed)  
Barcode content: 1
- S/N:** ASXXXXXXXXXXYYWW ==>(same as Device label)  
Barcode content: ASXXXXXXXXXXYYWW
- IMEI:** 123456789012345 ==>(same as Device label)  
Barcode content: 123456789012345
- MAC:** 123456789012 ==>(same as Device label)  
Barcode content: 123456789012
- MADE IN XXXXX**  
XXXXX: Producer country



標籤製作黏貼方式/ T99W233.00/01/ 3 of 5

MATERIAL (SPEC.)		Art Paper		SCALE	 <b>Foxconn Industrial Internet</b> <b>富士康工业互联网</b>							
FINISH				SHEET				1/1				
Select						PART NAME						
Dim. Tol.	A	B	C	EPS	EPE	BAG	CTN	V	UNIT	Carton label		
0~6	0.05	0.05	0.10	0.50	0.50	3.00	0.20	0.20	MM	MODEL		
6~30	0.10	0.15	0.20	0.50	0.50	5.00	2.00	0.25	SIZE	PART NO.		
30~120	0.15	0.20	0.30	0.50	0.50	10.00	3.00	0.30	A4	T99W233.00		
120~300	0.20	0.30	0.40	1.00	1.00	15.00	5.00	0.50		DESIGNED		
300~450	0.25	0.40	0.50	2.00	2.00	20.00	5.00	0.50		Joy Xu		
450~600	0.30	0.50	0.60	3.00	3.00	20.00	5.00	0.80		APPROVED		
										Bailey Tan		
DRAFT TOLERANCE		±0.2°		CRITICAL DIM. MARK		*						

REV.	MARK.	ECN NO.	DATE	UPDATE DESCRIPTIONS	SIGNATURE
0	N/A	N/A	2020/06/03	First release	Joy Xu
1	N/A	N/A	2020/08/04	Update label layout	Joy Xu



三. Shipping label

- Model:** My-Pro-FC-B42H-43L-48-C12-CB (fixed)  
---Customer product model  
Barcode content: My-Pro-FC-B42H-43L-48-C12-CB
- Pallet ID:** PIPPYWWXXXX, refer to Foxconn rule  
P: Pallet  
I: location name (refer to Foxconn location name)  
PP: Product line name  
Y: the last digit of year, such as 2020—> 0  
WW: Week Number from 01 to 52  
XXXX: serial carton number, 36 digit in the notation system (0~9, A~Z)  
reset from 0001 every one week  
Barcode content: PIPPYWWXXXX
- P/N:** 999-48-743-US---Customer product number (fixed)  
Barcode content: 999-48-743-US
- D/C:** YYWW  
**D/C:** ----fixed  
YY: the last two digit of year, such as 2020—> 20  
WW: Week, Number from 01 to 52  
Barcode content: YYWW
- Q'TY:** XXpcs  
XX: the quantity of product in pallet (數量會依實際出貨的棧板有所不同)  
Barcode content: XX
- Carton ID barcode: including all Carton ID
- MADE IN XXXXX  
XXXXX: Producer country

標籤制作粘貼方式/ T99W233.00/01/4 of 5

MATERIAL (SPEC.)										SCALE	Foxconn Industrial Internet 富士康工业互联网			
FINISH										SHEET	PART NAME			
Select										UNIT	Shipping label			
Dim.	Tol.	A	B	C	EPS	EPE	BAG	CTN	Label	USR	MM	MODEL	PART NO.	DESIGNED
0~6		0.05	0.05	0.10						0.20		T99W233.00	503.00672.005	Joy Xu
6~30		0.10	0.15	0.20	0.50	0.50	3.00			0.25	A4			
30~120		0.15	0.20	0.30	0.50	0.50	5.00			0.25				
120~300		0.20	0.30	0.40	1.00	1.00	10.00			0.30				
300~450		0.25	0.40	0.50	2.00	2.00	15.00			0.50				
450~600		0.30	0.50	0.60	3.00	3.00	20.00			0.80				
DRAFT TOLERANCE					± 0.2°		CRITICAL DIM. MARK		*					

REV.	MARK.	ECN NO.	DATE	UPDATE DESCRIPTIONS	SIGNATURE
0	N/A	N/A	2020/06/03	First release	Joy Xu

產地編號明細

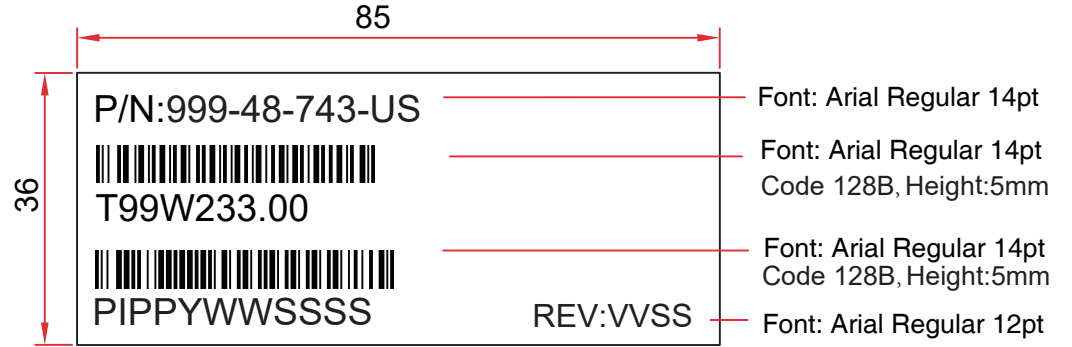
LOCATION	LOCATIONNAME
0	Hsinchu
1	Zhongshan
2	Futian
3	Tucheng
4	Taiyoung
5	Jingyang
6	Guangchuan
7	Taibiao
8	Hongju
9	Xinjin
A	Hongkong
B	Guolian
C	Chongqing CBT
D	Dummy Lable
E	Ambit
F	Longhua E5 database
G	Longhua E5A database
H	Longhua E6 database
I	RESERVE
J	RESERVE
K	Nanning
L	Huandian
M	EASTAR
N	Mexico
P	Longhua RMA
Q	Chongqing CPEI
R	Shanghai RMA
S	Shanghai CPEII
T	Yantai(S-customer)
U	Vietnam(Bac Ninh,CMB)
V	Yantai(RTT-customer)
Y	Vietnam(Bac Giang)
Z	Vietnam(Bac Ninh,CPEII)

**Pallet Label**


Pallet label P/N: 503.00089.015

label size : 85\*36mm

- P/N: Customer product number  
999-48-743-US (fixed)
- P/N: Foxconn product number  
T99W233.00 (fixed)
- PIPPYWWSSSS  
-P: Pallet;  
-I: Location name, refer to reference  
-PP: Package line;  
-Y: the last digit of year  
-WW: week  
-SSSS: Serial number, (base36, reset to 0001 every one weeks)
- REV: VVSS:Product manufacturing document revision  
VV:the engineering version(refer to Foxconn label Rev column in the cover of the MFG document)  
SS:the version of A300/A400 product(refer to Doc Rev in the cover of MFG document)



標籤制作粘貼方式/ T99W233.00/01/ 5 of 5

MATERIAL (SPEC.)										SCALE	 <b>Foxconn Industrial Internet</b> <b>富士康工业互联网</b>		
FINISH										SHEET 1/1			
Select											UNIT	PART NAME	
Dim. Tol.	A	B	C	EPS	EPE	BAG	CTN	Label	USR	MM	Pallet Label		
0~6	0.05	0.05	0.10								MODEL	PART NO.	DESIGNED
6~30	0.10	0.15	0.20	0.50	0.50	3.00				SIZE	T99W233.00	503.00089.015	Joy Xu
30~120	0.15	0.20	0.30	0.50	0.50	5.00				A4	CUSTOMER MODEL		APPROVED
120~300	0.20	0.30	0.40	1.00	1.00	10.00	3.00	0.30			CUSTOMER PART NO.		Bailey
300~450	0.25	0.40	0.50	2.00	2.00	15.00	5.00	0.50					
450~600	0.30	0.50	0.60	3.00	3.00	20.00	5.00	0.80					
DRAFT TOLERANCE				±0.2°		CRITICAL DIM. MARK		*					

Date	Version	Description
2020/07/16	V1	Delete FCC and UL logo,change FCC ID position
2020/07/25	V2	Add UL logo
2020/07/27	V3	Add FCC statement
2020/07/29	V4	Delete UL logo
2020/08/04	V5	Update FCC ID number
2020/08/06	V6	Update FCC ID number