

Directional 4-Sector Antenna for 5.0 GHz

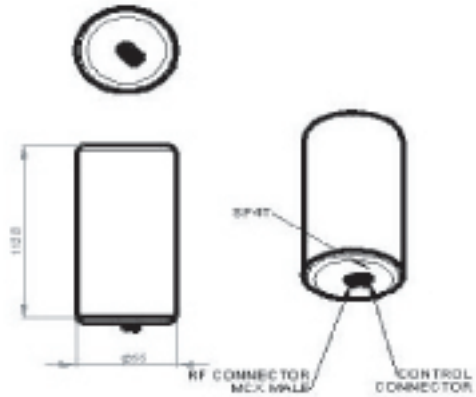
Preliminary

0.3

TBD

Electrical Specification

Frequency range	4900 MHz - 5000 MHz
Gain	9 dBi
VSWR	1.5 : 1 Max.
Polarization	Linear, vertical
HPBW / horizontal	90°
HPBW / vertical	25°
Front to back ratio	12 dB
Power handling	1 W (cw)
Impedance	50 ohms
Connector	MCX & Control

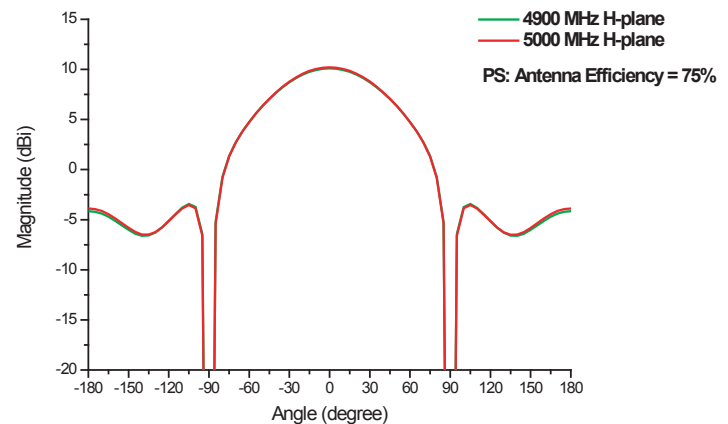


4x 90° SECTOR
4.9-5.0 GHz, 9 dBi, 90°

Environmental & Mechanical Characteristics

Temperature	- 30°C to +75°C
Humidity	95% @ 25°C
Radome color	TBD
Radome material	ABS, UV resistant
Weight	TBD
Dimensions	113 x 55 mm

H-Plane Co-polarization Pattern



V-Plane Co-polarization Pattern

