



IP-based
Broadband Wireless Access (BWA) System

605-0000-706 Rev I

ProST

Hardware Installation Guide

SR 6.5

Table Of Contents

Introduction	1
Purpose	1
Targeted Audience	1
Referenced Documentation	1
Conventions	1
Warnings and Cautions	2
Human Exposure to Radio Frequencies	2
Radio Interference	2
Avoiding Radio Interference	2
Modifications	2
General	2
Manufacturer's Disclaimer Statement	2
Declaration of Conformity	4
European Community, Switzerland, Norway, Iceland, and Liechtenstein	4
Declaration of Conformity with Regard to the R&TTE Directive 1999/5/EC.....	4
Fcc Interference Statement	6
Federal Communication Commission Interference Statement	6
Maximum Output TX Power	7
System Overview.....	8
ProST Frequency Ranges	9
Main Features.....	9
ProST-2 Frequency Ranges	10
Main Features.....	10
Architecture	11
ProST Models.....	12
ProST Block Diagram	13
ProST Protocol Stack	13
Theory of Operation	14
Physical Description	15
ProST Physical Description.....	15
Physical Dimensions.....	15
Port.....	15
SDA-1 Physical Description	16
Physical Dimensions.....	17
Ports	17
LED.....	17
SDA-4S Type II and SDA-4S/VL Type II (Optional).....	18

Physical Dimensions.....	18
Ports	19
LEDs	19
SDA-4SDC Type II (Optional DC power supply)	20
Physical Dimensions.....	20
Ports	21
LEDs	21
Mounting the ProST.....	23
Mounting the ProST	23
Wall Mounting.....	24
Pole Mounting.....	26
SDA-4S	31
Desktop Mounting	31
Wall Mounting.....	31
Network Cabling	33
Connecting to IDU.....	33
Using the SDA-1 Type II.....	33
Using the SDA-4S Type II, SDA-4S/VL Type II or SDA-4S/DC Type II	34
Connecting to LAN Network	36
Using SDA-1 Type II	36
Using the SDA-4S Type II, SDA-4S/VL Type II or SDA-4S/DC Type II	38
Using SDA-MSG	40
Using SDA-WiFi.....	41
Connecting to Power	43
DC Power Source	43
Connecting the SDA-4SDC Type II (Optional DC adapter).....	44
AC Power Source	45
Using SDA-1 Type II	45
Using SDA-4S Type II and SDA-4S/VL Type II	47
Connecting Power Cable for SDA-4SDC	49
Power Cable Connection.....	49
Housing the Connectors.....	49
Connecting to the SDA-4SDC	49
Connecting Lightning and Surge Protector	51
PolyPhaser Wiring Diagram.....	51
Lightning and Surge Protection Connection Scenarios	52
RSSI LED Plug Adapter	56
Antenna Alignment using RSSI LED Plug Adapter	56
LED Status.....	57
Connecting External Antenna.....	59

Troubleshooting.....	61
Trademarks and Copyrights.....	62
Contact Information	63
Revisions	64
Warnings.....	65
1. Disclaimer	65
1.1 Safety Warnings	65
1.2 Important Warning Symbols.....	65
1.3 Important Service Information.....	66
1.4 UL Information.....	66
1.5 CE Notice	66
1.6 European Community, Switzerland, Norway, Iceland, and Liechtenstein.....	67
Declaration of Conformity with Regard to the R&TTE Directive 1999/5/EC.....	67
1.7 CAUTION.....	68
1.8 Lightning Protection	68
Glossary	70
Index.....	73

INTRODUCTION

Thank you for purchasing Airspan's ProST wireless access device. The ProST customer premise equipment (CPE) is part of Airspan's AS.MAX family of WiMAX-based products. ProST also has a multimode model (ProST-2) based on the Rosedale chipset which supports both TDD and FDD.

 **Note:** ProST-2 is presently available for frequencies, 3.4–3.6 and 3.6–3.8 **only**.

 **Note:** For more information on the ProST-2 contact your supplier.

This section provides a preface by discussing the purpose, audience, organization, conventions, and customer support of this guide.

Purpose

This guide provides step-by-step instructions for setting up and installing the ProST.

Targeted Audience



This guide is intended for the technician who is qualified and authorized to install the ProST.

Referenced Documentation

For a detailed description of the Web-based configuration tool, refer to the *WiMAX Web-based Management User's Guide*.

Conventions

This guide uses the following typographical conventions:

Convention	Meaning	Example
Bold	Command, menu, icon, button, and field	Click the Next button.
"To" in bold face and at the beginning of a sentence	Introduces a numbered procedure	To download a SW file:
	Warning that provides information that can prevent and avoid bodily or mechanical harm	--
	Note that provides useful information	--

WARNINGS AND CAUTIONS

Human Exposure to Radio Frequencies

The ProST should be installed and operated from a minimum distance of 36 cm to your body.

Radio Interference

This equipment generates, uses, and can radiate radio frequency energy and, if not installed and used in accordance with the instructions, may cause harmful interference to radio communications. However, there is no guarantee that interference will not occur in a particular installation. If this equipment does cause harmful interference to radio or television reception, which can be determined by turning the equipment on and off, the user is encouraged to try to correct the interference by performing one or more of the following measures:

- ▶ Reorientate or relocate the receiving antenna
- ▶ Increase separation between the equipment and receiver
- ▶ Connect the equipment to an outlet on a circuit different from that to which the receiver is connected
- ▶ Consult the dealer or an experienced radio/TV technician for help

Avoiding Radio Interference

- ▶ This transmitter must not be co-located or operating in conjunction with any antenna or transmitter.
- ▶ Ensure a minimum of 1-meter separation between co-located ProST's.
- ▶ When using an external antenna, the external antenna must not be co-located or operating in conjunction with any other antenna or transmitter.

Modifications

Any changes and modifications to this device that are not expressly approved by Airspan may void the user's authority to operate the equipment.

General

- ▶ Only qualified personnel should be allowed to install, replace, and service the equipment.
- ▶ The device cannot be sold retail, to the general public or by mail order. It must be sold to dealers.
- ▶ Installation must be controlled.
- ▶ Installation must be performed by licensed professionals.
- ▶ Installation requires special training.
- ▶ The AS.MAX radios and antennas should be installed ONLY by experienced installation professionals who are familiar with local building and safety codes and, wherever applicable, are licensed by the appropriate government regulatory authorities. Failure to do so may void Airspan's AS.MAX product warranty and may expose the end user or the service provider to legal and financial liabilities. Airspan and its resellers or distributors are not liable for injury, damage or violation of regulations associated with the installation of outdoor units or antennas.
- ▶ Do not mount outdoor radios and external antennas in weather that may increase risk of electrocution such as rain or lightning.
- ▶ To prevent ESD damage to devices, always wear an ESD wrist strap when handling these devices or coming into contact with internal components.

Manufacturer's Disclaimer Statement

The information in this document is subject to change without notice and does not represent a commitment on the part of the vendor. No warranty or representation, either expressed or implied, is made with respect to the quality, accuracy or fitness for any particular purpose of this document. The manufacturer reserves the right to make changes to the content of this document and/or the products associated with it at any time without obligation to notify any person or organization of such changes. In no event will the manufacturer be liable for direct, indirect, special, incidental or consequential damages arising out of the use or inability to use this product or documentation, even if advised of the possibility of such damages. This document contains materials protected by copyright. All rights are reserved. No part of this manual may be reproduced or transmitted in any form, by any means or for any purpose without expressed written consent of its authors. Product names appearing in this document are mentioned for identification purposes only. All trademarks, product names or brand names appearing in this document are registered property of their respective owners.

DECLARATION OF CONFORMITY

European Community, Switzerland, Norway, Iceland, and Liechtenstein

Declaration of Conformity with Regard to the R&TTE Directive 1999/5/EC

English:

This equipment is in compliance with the essential requirements and other relevant provisions of Directive 1999/5/EC.

Deutsch:

Dieses Gerät entspricht den grundlegenden Anforderungen und den weiteren entsprechenden Vorgaben der Richtlinie 1999/5/EU.

Dansk:

Denne udstyr er i overensstemmelse med de væsentlige krav og andre relevante bestemmelser i Direktiv 1999/5/EF.

Español:

Este equipo cumple con los requisitos esenciales así como con otras disposiciones de la Directiva 1999/5/EC.

Greek:

ΜΕ ΤΗΝ ΠΑΡΟΥΣΑ Airspan ΔΗΛΩΝΕΙ ΟΤΙ Ο ΕΞΟΠΛΙΣΜΟΣ ΣΥΜΜΟΡΦΩΝΕΤΑΙ ΠΡΟΣ ΤΙΣ ΟΥΣΙΩΔΕΙΣ ΑΠΑΙΤΗΣΕΙΣ ΚΑΙ ΤΙΣ ΛΟΙΠΕΣ ΣΧΕΤΙΚΕΣ ΔΙΑΤΑΞΕΙΣ ΤΗΣ ΟΔΗΓΙΑΣ 1999/5/ΕΚ.

Français:

Cet appareil est conforme aux exigences essentielles et aux autres dispositions pertinentes de la Directive 1999/5/EC.

Íslenska:

Þessi búnaður samrýmist lögboðnum kröfum og öðrum ákvæðum tilskipunar 1999/5/ESB.

Italiano:

Questo apparato é conforme ai requisiti essenziali ed agli altri principi sanciti dalla Direttiva 1999/5/EC.

Nederlands:

Deze apparatuur voldoet aan de belangrijkste eisen en andere voorzieningen van richtlijn 1999/5/EC.

Norsk:

Denne utstyret er i samsvar med de grunnleggende krav og andre relevante bestemmelser i EU-direktiv 1999/5/EC.

Português:

Este equipamento satisfaz os requisitos essenciais e outras provisões da Directiva 1999/5/EC.

Suomalainen:

Tämä laite täyttää direktiivin 1999/5/EY oleelliset vaatimukset ja on siinä asetettujen muidenkin ehtojen mukainen.

Svenska:

Denna utrustning är i överensstämmelse med de väsentliga kraven och andra relevanta bestämmelser i Direktiv 1999/5/EC.

The Declaration of Conformity related to this product can be obtained from product_management@Airspan.com

FCC INTERFERENCE STATEMENT

Federal Communication Commission Interference Statement

This equipment has been tested and found to comply with the limits for a Class B digital device, pursuant to Part 15 of the FCC Rules. These limits are designed to provide reasonable protection against harmful interference in a residential installation. This equipment generates, uses and can radiate radio frequency energy and, if not installed and used in accordance with the instructions, may cause harmful interference to radio communications. However, there is no guarantee that interference will not occur in a particular installation. If this equipment does cause harmful interference to radio or television reception, which can be determined by turning the equipment off and on, the user is encouraged to try to correct the interference by one of the following measures:

- ▶ Reorient or relocate the receiving antenna.
- ▶ Increase the separation between the equipment and receiver.
- ▶ Connect the equipment into an outlet on a circuit different from that to which the receiver is connected.
- ▶ Consult the dealer or an experienced radio/TV technician for help.

This device complies with Part 15 of the FCC Rules. Operation is subject to the following two conditions: (1) This device may not cause harmful interference, and (2) this device must accept any interference received, including interference that may cause undesired operation.

FCC Caution: Any changes or modifications not expressly approved by the party responsible for compliance could void the user's authority to operate this equipment.

IMPORTANT NOTE:

FCC Radiation Exposure Statement:

This equipment complies with FCC radiation exposure limits set forth for an uncontrolled environment. This equipment should be installed and operated with minimum distance 36 cm between the radiator & your body.

This transmitter must not be co-located or operating in conjunction with any other antenna or transmitter.

Maximum Output TX Power

CPE Maximum Output TX Power

Frequency Band	ETSI		FCC		Rest of the World		Antenna Gain
	TX	EIRP	TX	EIRP	TX	EIRP	
3.3-3.5 GHz TDD	24dBm	40dBm	N/A	N/A	24dBm	40dBm	16 dBi
3.4-3.6 GHz FDD	24dBm	40dBm	N/A	N/A	24dBm	40dBm	16 dBi
3.6-3.8 GHz FDD	24dBm	40dBm	N/A	N/A	24dBm	40dBm	16 dBi
3.7GHz TDD	24dBm	40dBm	24.82	40.82	24dBm	40dBm	16 dBi
5.15-5.35 GHz TDD	6dBm	23dBm			19dBm	36dBm	17 dBi
5.15-5.25 GHz TDD			-0.5dBm	17dBm	19dBm	36dBm	17.5 dBi
5.25-5.35 GHz TDD			9.5dBm	27dBm	19dBm	36dBm	17.5 dBi
5.47-5.725 GHz TDD	12.5dBm	30dBm	9.1dBm	26.6dBm	19dBm	36dBm	17.5 dBi
5.725-5.850 GHz TDD	15.5dBm	33dBm	18.5dBm	36dBm	19dBm	36dBm	17.5 dBi



Caution: Do not set maximum output TX power to higher than local regulations.

SYSTEM OVERVIEW

The ProST is an outdoor WiMAX-based customer premises equipment (CPE). The ProST, which uses Intel Corporation's Pro/Wireless 5116 broadband interface, connects IP-enabled devices directly to WiMAX networks. Designed for the residential and small enterprise (SME) markets, the device supports high-speed broadband Internet through a Fast Ethernet connection.

The ProST ensures high service availability at enhanced ranges, operating in both LOS and NLOS propagation environments. ProST uses the OFDM signaling format, providing non line-of-sight (NLOS) performance. ProST utilizes QAM, QPSK, and BPSK modulation technologies by modulating transmitted signals and demodulating the received signals where the original digital message can be recovered. The use of adaptive modulation allows ProST to optimize throughput, yielding higher throughputs while also covering long distances.

ProST models support IP services at speeds of up to 37 Mbit/s over-the-air gross rates over channel bandwidths of up to 10 MHz in both uplink and downlink. ProST is available in numerous ETSI frequency bands, operating in FDD and TDD modes in numerous channels, see: [ProST Frequency Ranges](#) and [ProST-2 Frequency Ranges](#).

ProST is also available in a multi-mode model (ProST-2) based on the Intel ® Rosedale chipset which supports both TDD and FDD.

 **Note:** ProST-2 is presently available for frequencies, 3.4–3.6 and 3.6–3.8 only.

ProST can be deployed with a built-in, integral antenna or alternatively, with an external antenna to provide better radio coverage. Requiring professional installation, the ProST is installed outdoors on a pole or wall, enabling optimal positioning for best reception with the BS. Outdoor mounting of the ProST is made possible due to ProST's built-in lightning surge protection feature (complying with Surge Immunity standard EN 61000-4-5).

ProST is powered through the SDA-1 Type II (referred henceforth as SDA-1) adapter which interfaces with the subscriber's LAN. ProST connects to the SDA-1's 100BaseT interface port by a standard 100-meter CAT-5 cable. The SDA-1 also provides the ProST with 10 to 52 VDC power supply. However, as an alternative to these adapters, Airspan offers three optional integrated LAN switches:

- ❑ **SDA-4S Type II:** A standard integrated LAN switch, providing four 10/100BaseT interfaces with the subscriber's computers. This model is ideal for SOHO implementation.
- ❑ **SDA-4S/VL Type II:** Provides VLANs between ports and the ProST, ensuring privacy between LAN users of the different ports. For example, all users connected to Port 1 do not "see" users connected to Port 2. This model is ideal for multi-tenant (VLAN security) implementation.
- ❑ **SDA-4S/DC Type II:** integrated LAN switch, providing power and four 10/100BaseT interfaces and especially designed for implementation where available power supply is DC (10 to 52 VDC), e.g. from a solar panel. This model provides regulated –48 VDC power to the BSR.

All SDA types work in VLAN Pass-through mode. Tagged and Untagged packets are forwarded transparently by the SDA. The SDA has no VLAN ID configuration per port.

ProST can be managed by Airspan's Web-based management system using standard Web browsers or alternatively, by an SNMP-based network management system (Netspan) using standard and proprietary MIBs. In addition, external third-party management systems such as HP OpenView can also manage the ProST using these MIBs.

ProST Frequency Ranges

The table below lists the frequency range of ProST models currently available. This table will grow as more models become available.


Frequency Band	Channel Bandwidth
1.4265 – 1.524 in GHz TDD mode	<ul style="list-style-type: none"> ▶ 1.75 MHz ▶ 3.5 MHz ▶ 5 MHz
3.3 – 3.5 GHz in TDD mode	<ul style="list-style-type: none"> ▶ 1.75 MHz ▶ 2.75 MHz ▶ 3.5 MHz ▶ 5 MHz
3.4 – 3.6 GHz in FDD mode	<ul style="list-style-type: none"> ▶ 1.75 MHz ▶ 3.5 MHz
3.6 – 3.8 GHz in TDD mode	<ul style="list-style-type: none"> ▶ 1.75 MHz ▶ 3.5 MHz ▶ 5 MHz
4.9 – 5.0 GHz in TDD mode	<ul style="list-style-type: none"> ▶ 2.5 MHz ▶ 5 MHz ▶ 10 MHz
5.15 – 5.35 GHz in TDD mode	<ul style="list-style-type: none"> ▶ 2.5 MHz ▶ 5 MHz ▶ 10 MHz
5.47 – 5.725 GHz in TDD mode	<ul style="list-style-type: none"> ▶ 2.5 MHz ▶ 5 MHz ▶ 10 MHz
5.725 – 5.875 GHz in TDD mode	<ul style="list-style-type: none"> ▶ 2.5 MHz ▶ 5 MHz ▶ 10 MHz
5.850 – 5.950 GHz in TDD mode	<ul style="list-style-type: none"> ▶ 2.5 MHz ▶ 5 MHz ▶ 10 MHz

Main Features

The ProST provides the following main features:

- ▶ Full Outdoor Non-LOS Deployment: 256 OFDM
- ▶ Based on the latest wireless technology WiMAX IEEE 802.16 standard
- ▶ Integrated antenna gain of 15 dBi or 16 dBi (latest version)
- ▶ Indoor Ethernet adapter (SDA-1 Type II):

- o providing power and interface termination
- o up to 100-m Category 5 cable between ProST and SDA-1
- ▶ Indoor:
 - o SDA-4S Type II: small low cost IDU with built in LAN switch
 - o SDA-4SDC Type II: small low cost DC IDU with built in LAN Switch
 - o SDA-WiFi: enabling WiFi capability to the ProST CPE (optional)
 - o SDA-MSG (Multi-Service Gateway): enabling VoIP capability to the ProST CPE (optional)
- ▶ High throughput providing fast access at burst data rates up to 37 Mbps over-the-air (gross rate) over up to a 10 MHz channel
- ▶ Option of LAN switch with indoor adapter
- ▶ Up to 4 ports with VLAN port switching
- ▶ Supports multiple UL bursts per SS frame
- ▶ Signal information can be obtained via Web Management Performance tool
- ▶ Integral WiFi and LAN switch
- ▶ Optional VoIP module -- available SDA-MSG, an extension module allowing you to add VoIP functionality to your ProST unit(s).
- ▶ Optional WiFi module -- available SDA-WiFi, an extension module allowing you to add WiFi functionality to your ProST unit(s).

 **Note:** Contact your Airspan representative for more information on the SDA-MSG VoIP extension module or the SDA-WiFi extension module.

ProST-2 Frequency Ranges


The table below lists the frequency range of ProST-2, TDD/FDD Multimode models currently available. This table will grow as more models become available.

Frequency Band	Channel Bandwidth
3.4 – 3.6 GHz in TDD/FDD 50/100 mode	<ul style="list-style-type: none"> ▶ 1.75 MHz ▶ 2.75 MHz ▶ 3.5 MHz ▶ 5 MHz ▶ 7 MHz ▶ 10 MHz
3.6 – 3.8 GHz in TDD/FDD 50/100 mode	<ul style="list-style-type: none"> ▶ 1.75 MHz ▶ 2.75 MHz ▶ 3.5 MHz ▶ 5 MHz ▶ 7 MHz ▶ 10 MHz

Main Features

The ProST-2 provides the following main features:


- ▶ New CPE variants are equipped with Rosedale chipset enabling FDD/TDD multimode operation, supporting 5 MHz and 7 MHz in both TDD and HFDD modes.
- ▶ Full Outdoor Non-LOS Deployment: 256 OFDM
- ▶ Based on the latest wireless technology WiMAX IEEE 802.16 standard
- ▶ Integrated antenna gain of 16 dBi (latest version)
- ▶ Indoor Ethernet adapter (SDA-1 Type II):
 - providing power and interface termination
 - up to 100-m Category 5 cable between ProST and SDA-1
- ▶ Indoor:
 - SDA-4S Type II: small low cost IDU with built in LAN switch
 - SDA-4SDC Type II: small low cost DC IDU with built in LAN Switch
 - SDA-WiFi: enabling WiFi capability to the ProST CPE (optional)
 - SDA-MSG (Multi-Service Gateway): enabling VoIP capability to the ProST CPE (optional)
- ▶ High throughput providing fast access at burst data rates up to 37 Mbps over-the-air (gross rate) over up to a 10 MHz channel
- ▶ Option of LAN switch with indoor adapter
- ▶ Up to 4 ports with VLAN port switching
- ▶ Supports multiple UL bursts per SS frame
- ▶ Signal information can be obtained via Web Management Performance tool
- ▶ Integral WiFi and LAN switch
- ▶ Optional VoIP module -- available SDA-MSG, an extension module allowing you to add VoIP functionality to your ProST unit(s).
- ▶ Optional WiFi module -- available SDA-WiFi, an extension module allowing you to add WiFi functionality to your ProST unit(s).

 **Note:** Contact your Airspan representative for more information on the SDA-MSG VoIP extension module or the SDA-WiFi extension module.

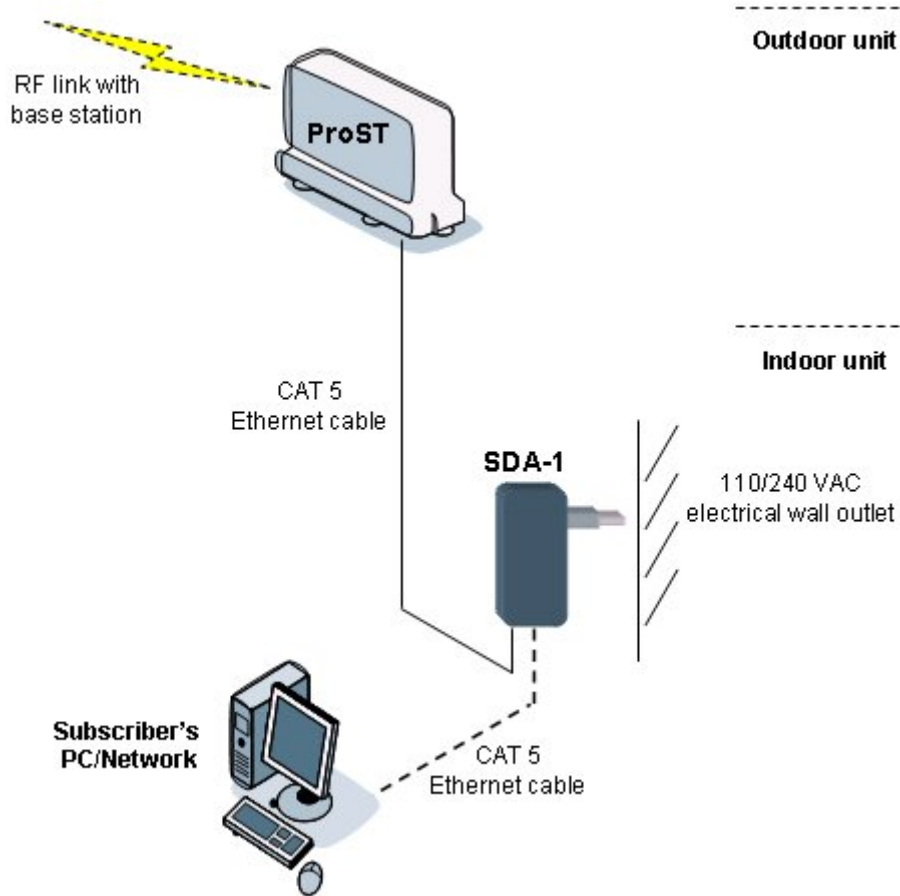
Architecture

The ProST installation consists of the following components:

- ▶ Encased ProST outdoor unit ([available in two variations](#))
- ▶ SDA-1 indoor adapter or optional SDA-4S Type II, SDA-4S/VL Type II, or SDA-4S/DC Type II
- ▶ Third-party external antenna (optional deployment)

 **Note:** The SDA-1 Type II adapter can also be implemented with other Airspan's ASWipLL radios (i.e. BSR, PPR, and SPR). For further information regarding these products, please contact your nearest Airspan dealer.

The figure below displays a typical architecture setup of the ProST with an integrated antenna.



ProST Models

The ProST is available in the following variations, differing in antenna configuration:

- ▶ ProST with built-in (integrated), flat-panel antenna
- ▶ ProST with N-type connector for attaching third-party external antenna (i.e. no integrated antenna)

The ProST model with the integrated antenna is shown below:

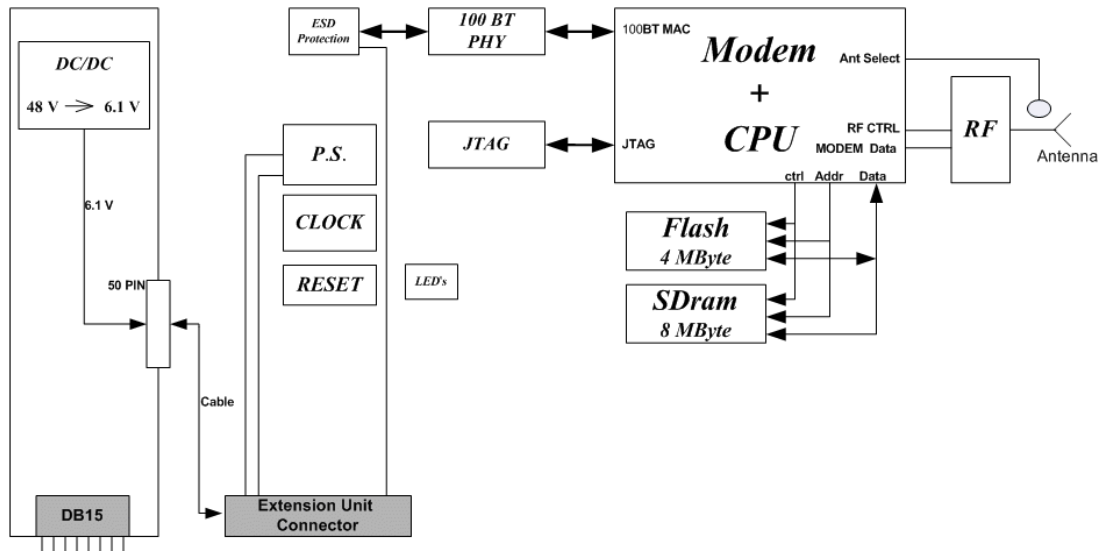


The ProST model with the N-type connector for connecting an external antenna is shown below:



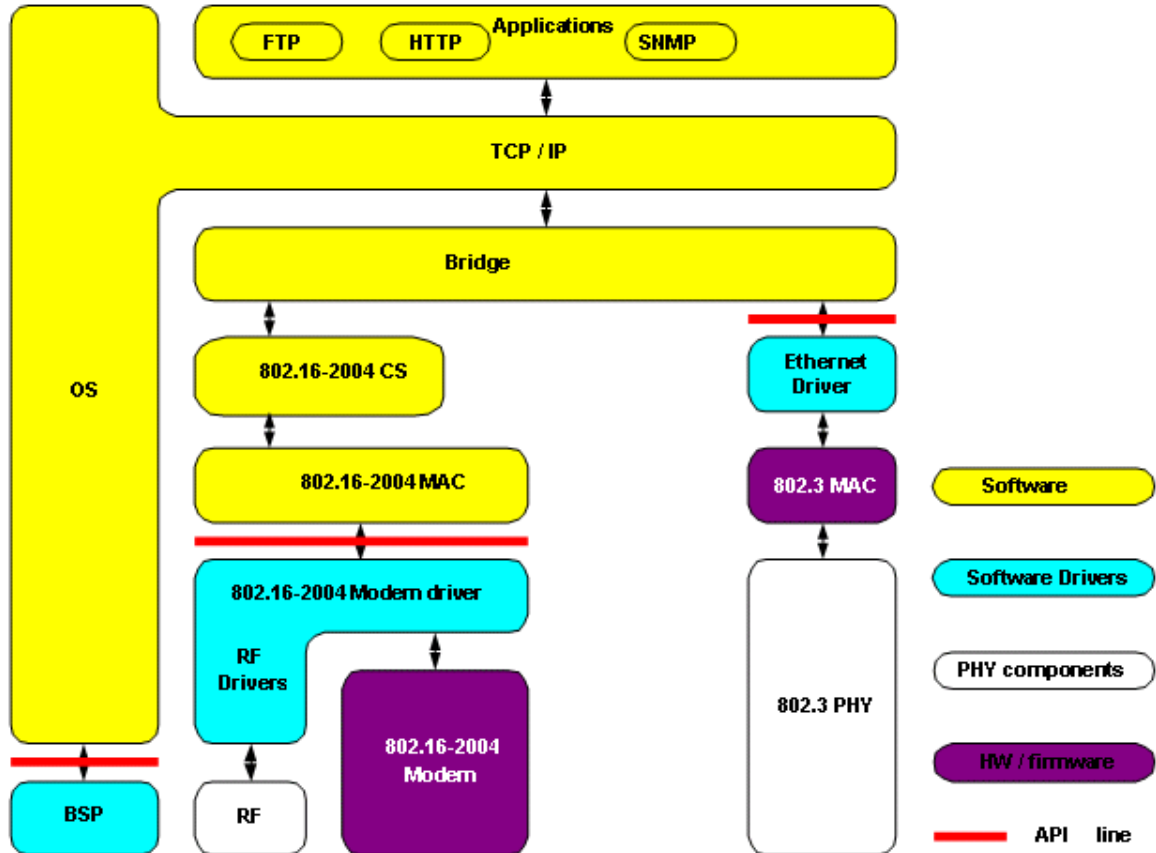
ProST Block Diagram

The figure below displays a block diagram of the ProST:



ProST Protocol Stack

The figure below displays a block diagram of the ProST's network architecture, designed as a hierarchy of protocols (i.e. protocol stack) implemented in the communication network.



Theory of Operation

For basic operation, the ProST requires no initial configuration--simply plug and play. Configuration is automatically performed over the air by the BS. The ProST is preconfigured by the operator at the BS (using Netspan) with service flow parameters such as the maximum information rate, the committed information rate, the maximum latency. These configuration parameters are stored in Netspan's database corresponding to the ProST's MAC address.

Before any communication between ProST and BS can occur, the ProST must be positioned in a location that provides sufficient RF reception.

To join a network, the ProST needs to perform a few tasks. First, the "Network Entry" process (defined in 802.16-2004) begins with the ProST scanning for a downlink (DL) signal from the base station, and then synchronizing to the DL channel. Thereafter the ProST can start the process of initial ranging, which alerts the BS to the presence of the ProST and establishment of management connections to obtain basic and primary management connection IDs (CID) from the BS. After the CIDs have been obtained, the ProST commences authorization and key exchange. In the final stage, the ProST registers at the base station before obtaining the IP address, time of day and the configuration file.

During Network entry, the ProST sends the BS its MAC address. The BS then accesses Netspan's database (via SNMP) and checks whether the ProST's MAC address appears in the DB. If it locates the MAC address, the BS retrieves all the ProST's configuration parameters (service flows) from the DB and downloads them to the ProST device.

PHYSICAL DESCRIPTION

This section provides a description of the components of the ProST installation:

- ▶ [ProST radio \(outdoor unit\)](#)
- ▶ [SDA-1 adapter \(indoor unit -- switch and power interface\)](#)
- ▶ [SDA-4S Type II and SDA-4S/VL Type II adapters](#) (optional)
- ▶ [SDA-4SDC Type II](#) (indoor DC unit) (optional)

ProST Physical Description

The ProST is an enclosed outdoor radio providing access to communication ports on its bottom panel. The ProST's back panel provides holes for ProST mounting.

This subsection provides the following ProST physical descriptions:

- ▶ [Dimensions](#)
- ▶ [Ports](#)

Physical Dimensions

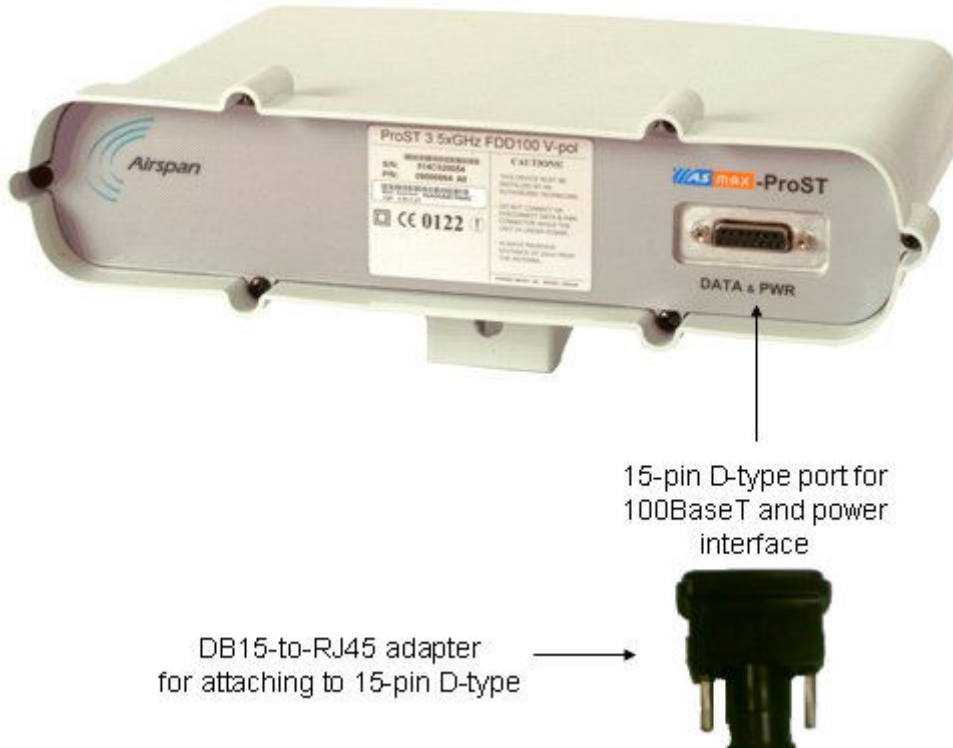
The table below lists the physical dimensions of the ProST.

Parameter	Value
Dimensions (H x W x D)	311 x 244 x 65.5 mm (12.24 x 9.6 x 2.57 inches)
Weight	1.94 kg (approximate)

Port

The ProST provides a 15-pin D-type port for interfacing with the SDA-1. For convenience, a DB15-to-RJ45 adapter is supplied for attaching to the 15-pin D-type port to allow the use of RJ-45 connectors for outdoor-to-indoor CAT 5 connectivity.

For ProST models implementing third-party external antennas, an [N-type port](#) is also provided on the bottom panel.



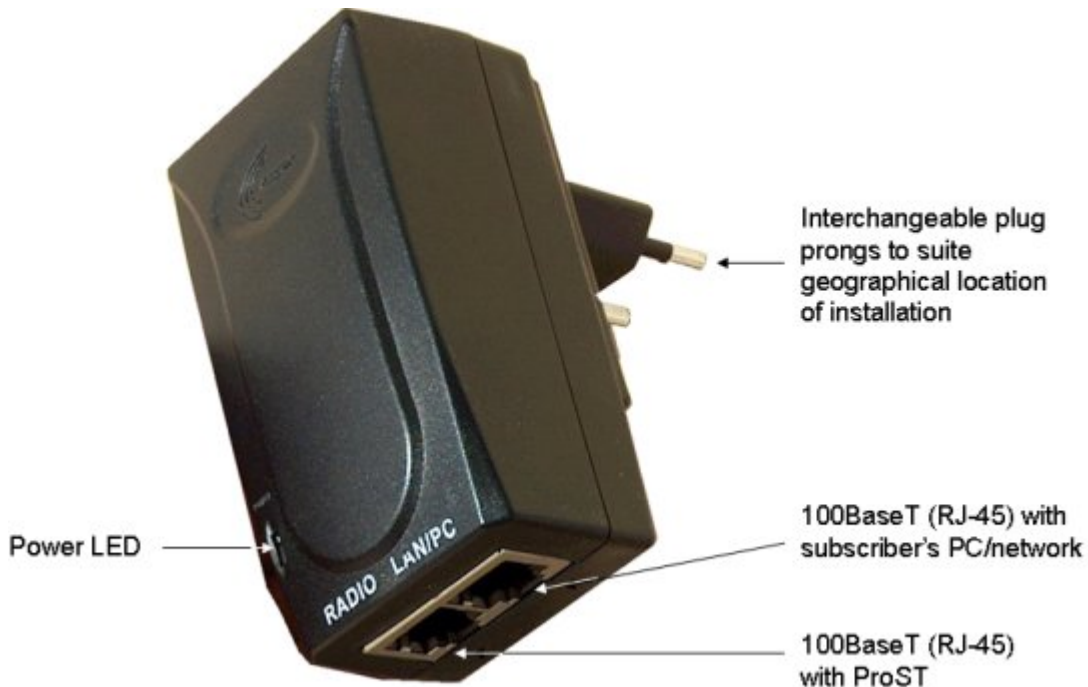
SDA-1 Physical Description

The SDA-1 is an integrated Ethernet and AC/DC power supply adapter that simply plugs into a standard electrical wall outlet (110/240 VAC). The SDA-1 enables easy plug prong replacement to suit geographical location of electrical outlet sockets (e.g. American vs. European).

The SDA-1 provides the ProST with the following interfaces:

- ▶ 10/100BaseT interface with subscriber's network/PC
- ▶ 10 to 52 VDC power supply

The SDA-1 physical description is shown in the figure below:



This section provides the following SDA-1 physical descriptions:

- ▶ [Dimensions](#)
- ▶ [Ports](#)
- ▶ [LED](#)

Physical Dimensions

The SDA-1 physical dimensions are described in the table below:

Parameter	Value
Dimensions (L x W x H)	72 x 42.5 x 26 mm (2.83 x 1.67 x 1.02 inches)
Weight	0.159 kg

Ports

The SDA-1 provides two ports, as described in the table below:

Port	Label	Interface
8-pin RJ-45	RADIO	10/100BaseT with ProST radio
8-pin RJ-45	LAN/PC	10/100BaseT with subscriber's network

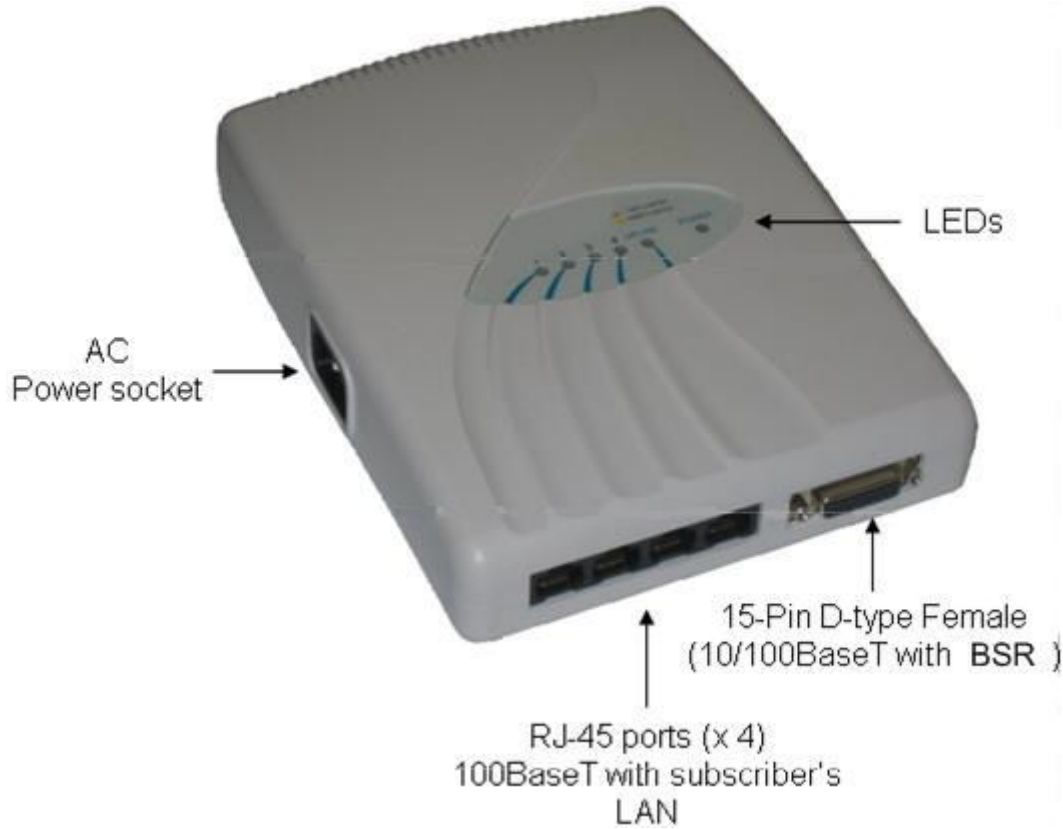
LED

The SDA-1 provides a green power LED (labeled **POWER**), located on its front panel. This LED light not only indicates the presence of power, but also can indicate incorrect SDA-1 port assignment for the network cables, i.e. from the ProST and computer. For a detailed description of the **POWER** LED, see [Troubleshooting](#).

 **Note:** The SDA-4S Type II and the SDA-4SDC are physically (externally) the same other than the power socket.

SDA-4S Type II and SDA-4S/VL Type II (Optional)

The SDA-4S Type II and SDA-4S/VL Type II indoor units (hereafter referred to as *SDA-4S*) are two optional integrated LAN switches that offer an alternative to the SDA-1 Type II unit. These two units have identical physical dimensions and design, as displayed in the figure below.



This subsection provides the following SDA-4S physical descriptions:

- ▶ [Dimensions](#)
- ▶ [Ports](#)
- ▶ [LEDs](#)

Physical Dimensions


The SDA-4S Type II and SDA-4S/VL Type II physical dimensions are described in the table below:

Parameter	Value
Dimensions (L x W x H)	200 x 150 x 40 mm (7.87 x 5.9 x 1.57 inches)
Weight	0.577 kg

Ports

The SDA-4S Type II and SDA-4S/VL Type II adapters provide ports on their bottom panels, which are described in the table below:

Port	Interface
4 x 8-pin RJ-45	10/100BaseT with subscriber's network (supports Auto Negotiation and MDI/MDI-X automatic crossover, allowing connection of straight-through or crossover cables)
15-pin D-type (female)	10/100BaseT with ProST
AC power socket	Subscriber's power outlet (110/240 VAC, 50/60 Hz)

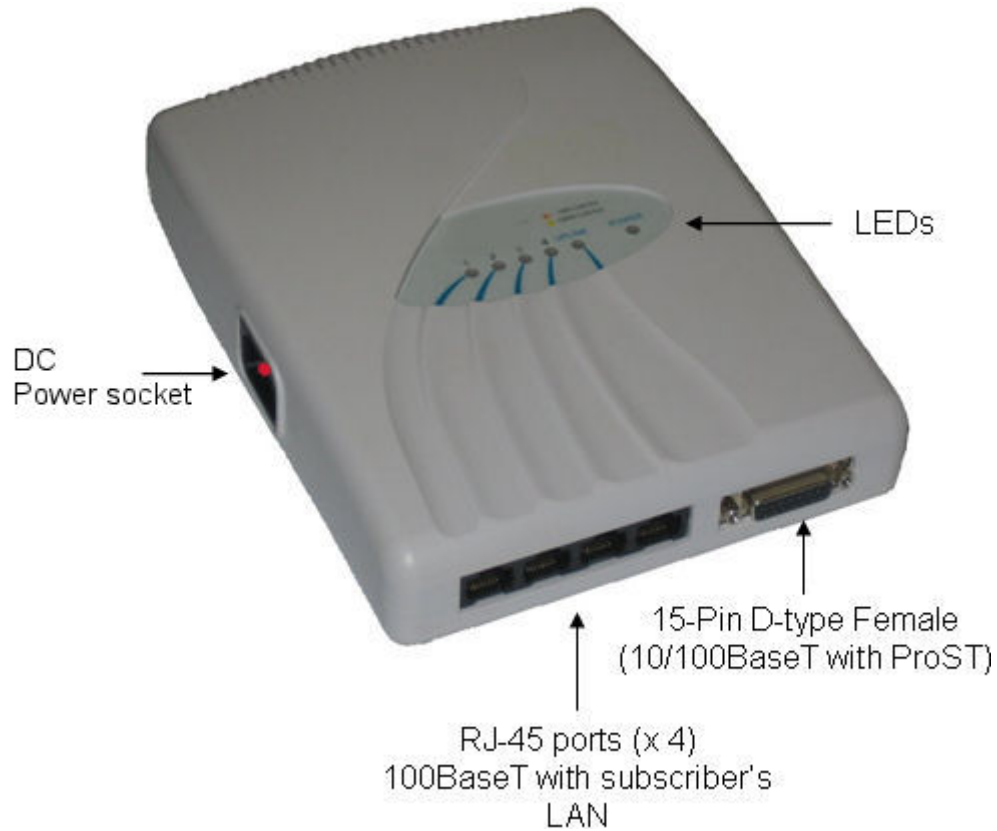
 **Note:** The ports of the SDA-4S models support Auto Negotiation, allowing automatic configuration for the highest possible speed link (10BaseT or 100BaseT), and Full Duplex or Half Duplex mode. In other words, the speed of the connected device (e.g. PC) determines the speed at which packets are transmitted through the specific SDA-4S port. For example, if the device to which the port is connected is running at 100 Mbps, the port connection will transmit packets at 100 Mbps. Conversely, if the device to which the port is connected is running at 10 Mbps, the port connection will transmit packets at 10 Mbps. In addition, the SDA-4S ports support MDI/MDI-X automatic crossover, allowing connection to straight-through or crossover cables.

LEDs

The LEDs description for all SDA-4S types is the same as for the SDA-4SDC below.

SDA-4SDC Type II (Optional DC power supply)

The SDA-4SDC Type II indoor unit is an integrated LAN switch, providing power and four 10/100BaseT ports for interfacing with the subscriber's network and especially designed for implementation where available power supply is DC. This model provides regulated -48 VDC power. The unit is displayed in the figure below.



This subsection provides the following SDA-4SDC physical descriptions:

- ▶ [Dimensions](#)
- ▶ [Ports](#)
- ▶ [LEDs](#)

Physical Dimensions

The SDA-4SDC physical dimensions are described in the table below:

Parameter	Value
Dimensions	Height - 200mm (7.87 inches) Width - 150mm (5.9 inches) Depth - 40mm (1.57 inches)
Weight	0.53 Kg

Ports

The SDA-4SDC adapter provides ports on the front panel, which are described in the table below:

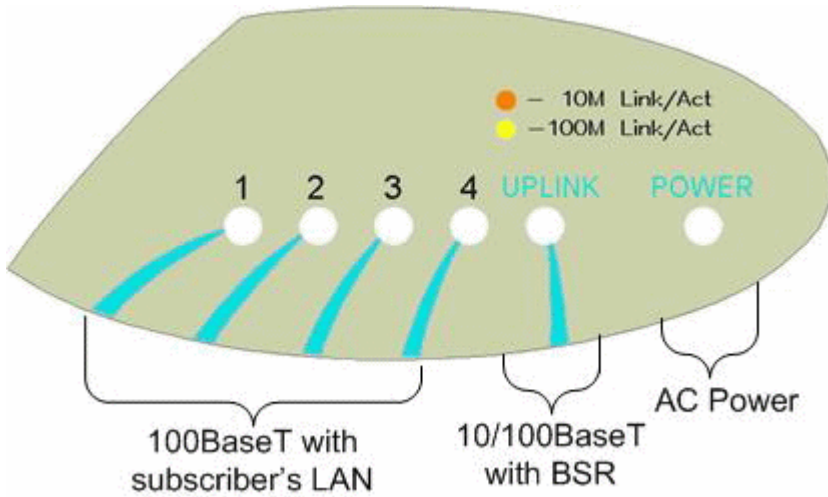
Port	Interface
4 x 8-pin RJ-45	10/100BaseT with subscriber's network (supports Auto Negotiation and MDI/MDI-X automatic crossover, allowing connection of straight-through or crossover cables)
15-pin D-type (female)	10/100BaseT with BSR
DC power socket	DC power outlet (10-52 VDC, 24W)

LEDs

The SDA-4S (all Types) adapters (referred conveniently as *SDA-4S*) provide LED indicators on their top panels, which are described in the table below:

LED	Color	Status	Meaning
UPLINK	Yellow (100BaseT) or Orange (10BaseT)	On	Physical link (10BaseT or 100BaseT) between SDA-4S adapter and ProST
		Blinking	Traffic currently flowing between SDA-4S and ProST
		Off	No link between SDA-4S and ProST
1, 2, 3, 4	Yellow (100BaseT) or Orange (10BaseT)	On	Physical link (10BaseT or 100BaseT) between SDA-4S and subscriber's Ethernet network
		Blinking	Traffic currently flowing between SDA-4S and subscriber's Ethernet network
		Off	No link between SDA-4S and subscriber's Ethernet network
POWER	Green	On	Power received by SDA-4S
		Off	No power received by SDA-4S

The figure below displays the LEDs which are located on the top panel of the SDA-4S Type II, SDA-4S/VL Type II, and SDA-4SDC Type II adapters:



MOUNTING THE PROST

This section describes the mounting procedures for the [ProST](#) and the optional [SDA-4S](#) adapters.

Mounting the ProST



Warning: ProST is an outdoor radio unit and therefore, must only be mounted outdoors.

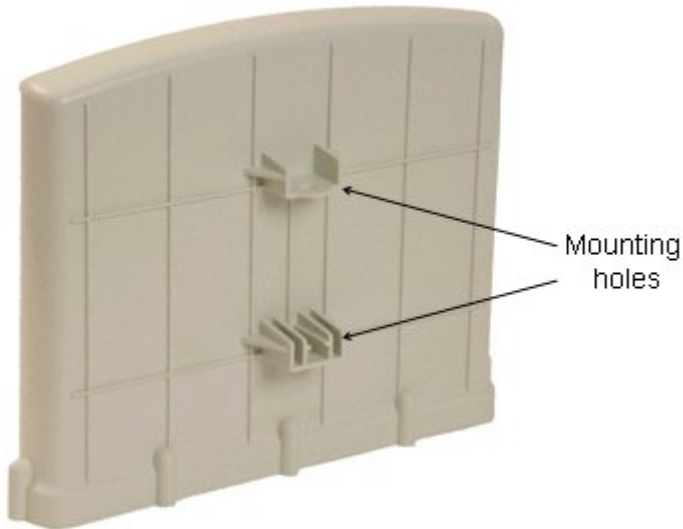


Warning: Mount the ProST in an orientation such that its 15-pin D-type port (located on the bottom panel) faces downwards. This prevents rain water from settling on the port, and thereby, avoiding damage to the unit such as corrosion and electrical short-circuiting.

The ProST offers two optional methods for outdoor mounting:

- ▶ [Wall mounting](#)
- ▶ [Pole mounting](#)

For either mounting methods, the ProST provides mounting holes molded into its back panel for attaching the wall or pole-mounting brackets, as displayed in the figure below.

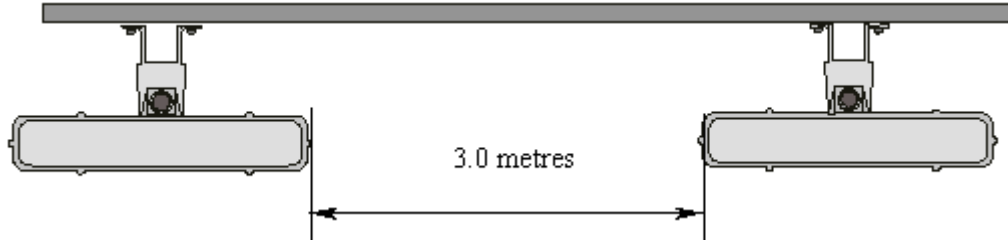


Note: The standard ProST kit provides wall-mounting brackets. To pole mount the ProST, contact your nearest Airspan distributor for pricing and ordering of pole-mounting brackets.



Note: A minimum of 3-meter separation is required between mounted ProSTs and existing customer radio equipment when transmitting on different sectors (see figure below). However, only a 1-meter separation is required between ProSTs when on the same sector and transmitting to the same base station radio without requiring shielding.

The figure below illustrates the minimum separation between mounted ProST's when transmitting on different sectors:



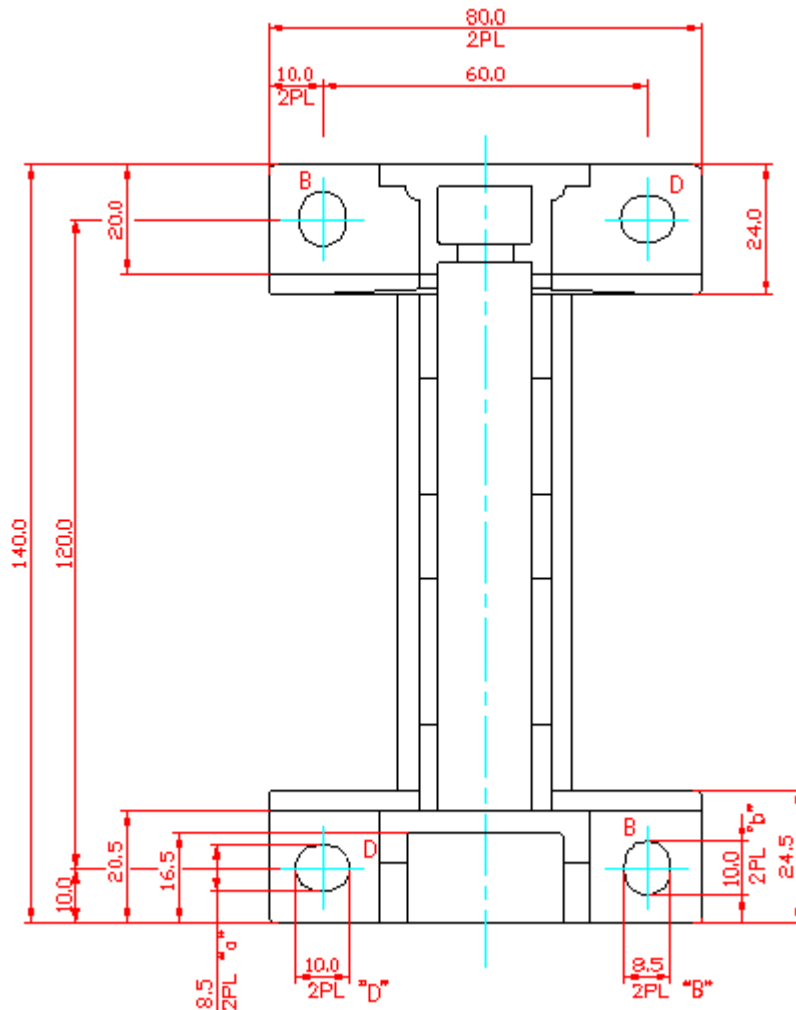
Wall Mounting

The ProST is wall mounted in two main stages:

- ▣ Attaching the mounting bracket to the ProST's mounting holes
- ▣ Attaching the mounting bracket (attached to the ProST) to the wall


To wall mount the ProST:

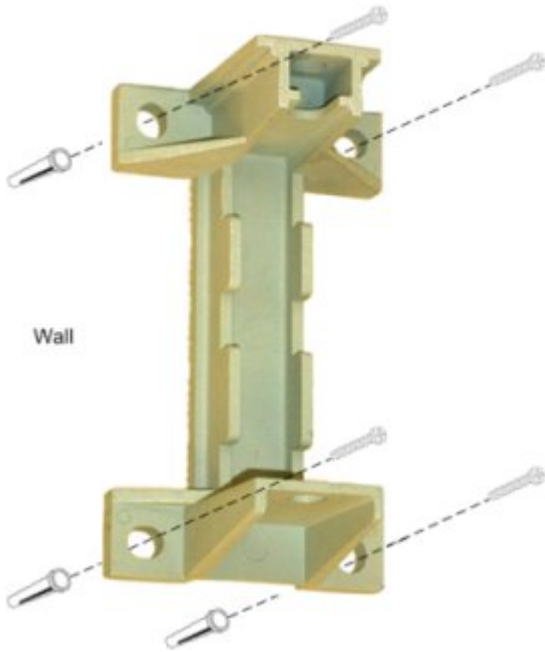
1. Position the unassembled mounting bracket on the mounting surface (e.g. wall), and then use a pencil to mark the position of the four mounting holes. Ensure that the distance between the hole centers are 120 mm (height) and 60 mm (width), as displayed in the figure below showing the ProST's fixing dimensions.



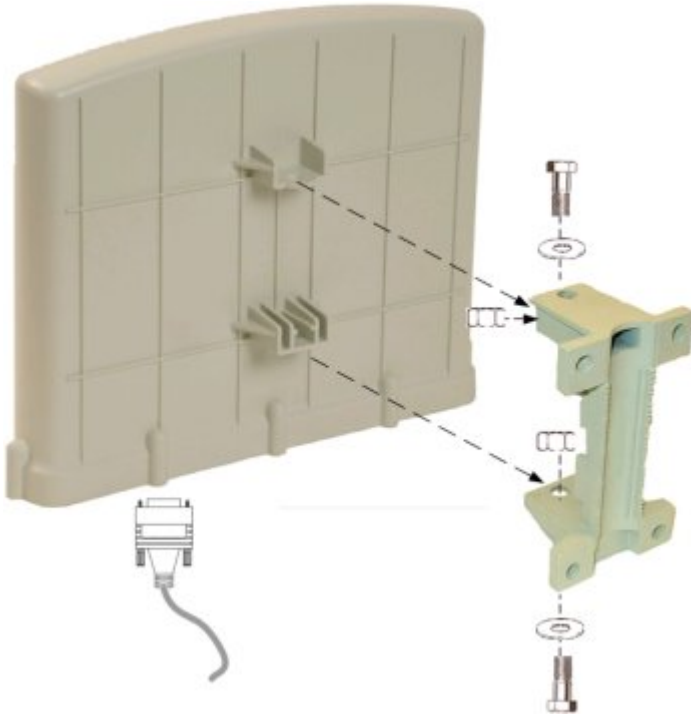
2. Drill holes for each hole that you marked in the step above.

3. Insert wall anchors (not supplied) into each of the drilled holes.
4. Align the mounting bracket's four holes with the wall anchors, and then insert a screw (not supplied) through the mounting bracket holes into each wall anchor, and tighten.

 **Note:** Airspan does not provide screws for attaching the mounting bracket to the wall. The screw size depends on the structure of the building to which the bracket is to be attached. When selecting screw sizes, consideration must be given to the weight of the ProST and load that may be induced in windy conditions.



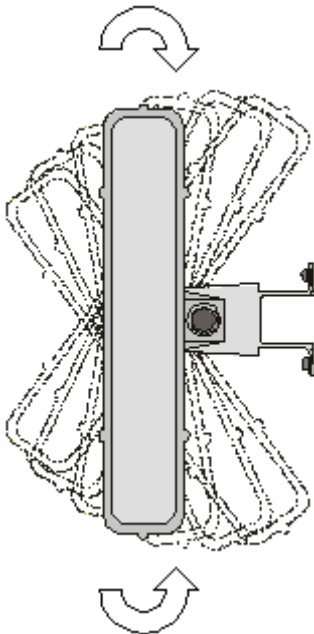
5. Attach the ProST to the mounting bracket by performing the following:
 - a. Slide an M10-spring lock washer and then an M10-plain washer onto each M10-hex head screw (ensure lock washer is nearest to head of screw bolt).
 - b. Align the mounting bracket's holes with the ProST's mounting holes as displayed below. (The mounting bracket side that provides a groove for inserting a nut must be aligned with the ProST's mounting hole that is nearest to the ProST's rear panel.)
 - c. From the external sides, insert the M10-hex head screws through the mounting bracket's holes and ProST's mounting holes. Loosely fasten with the M10-hex nuts.



6. Adjust the horizontal positioning of the ProST, and then tighten the two M10-hex head screws with the M10 hex nuts.

 **Note:** A third-party thread-locking compound must be applied to the M10-hex head screws to prevent the bolts from working loose.

Rotation is restricted in the horizontal plane only, as shown in the figure below:

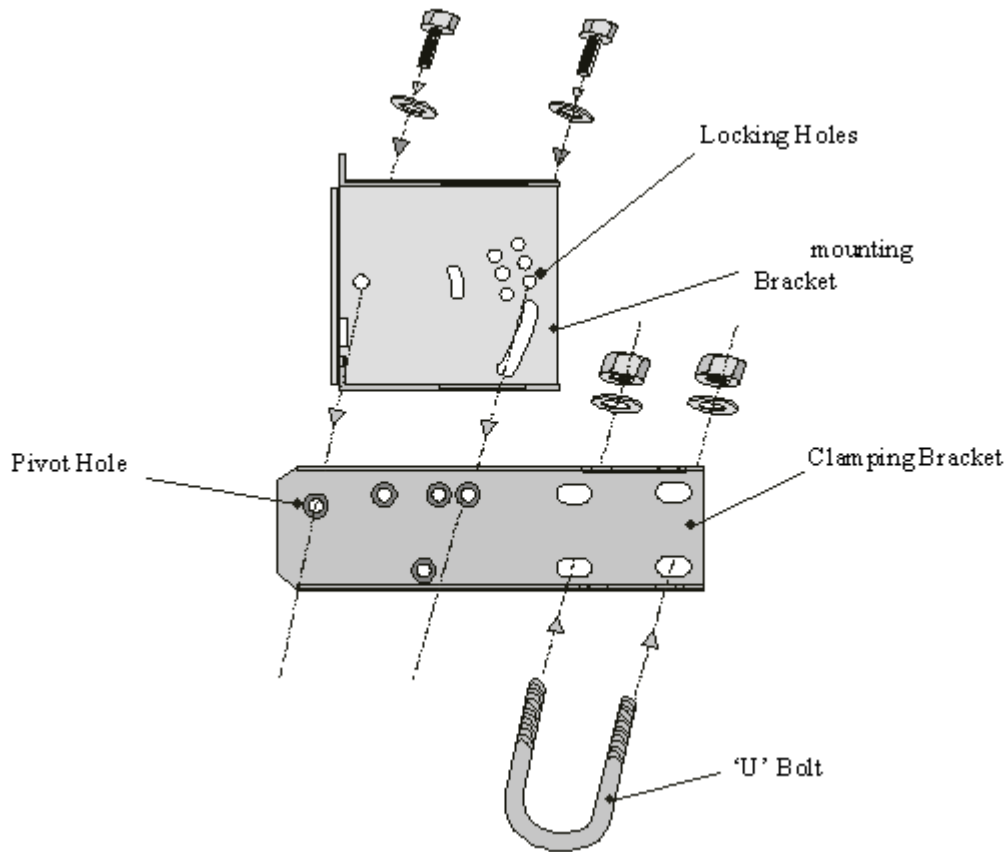


Pole Mounting

Pole mounting allows the ProST to be easily adjusted in the horizontal (azimuth) and vertical (elevation) planes for antenna alignment. The ProST is mounted using the mounting holes located

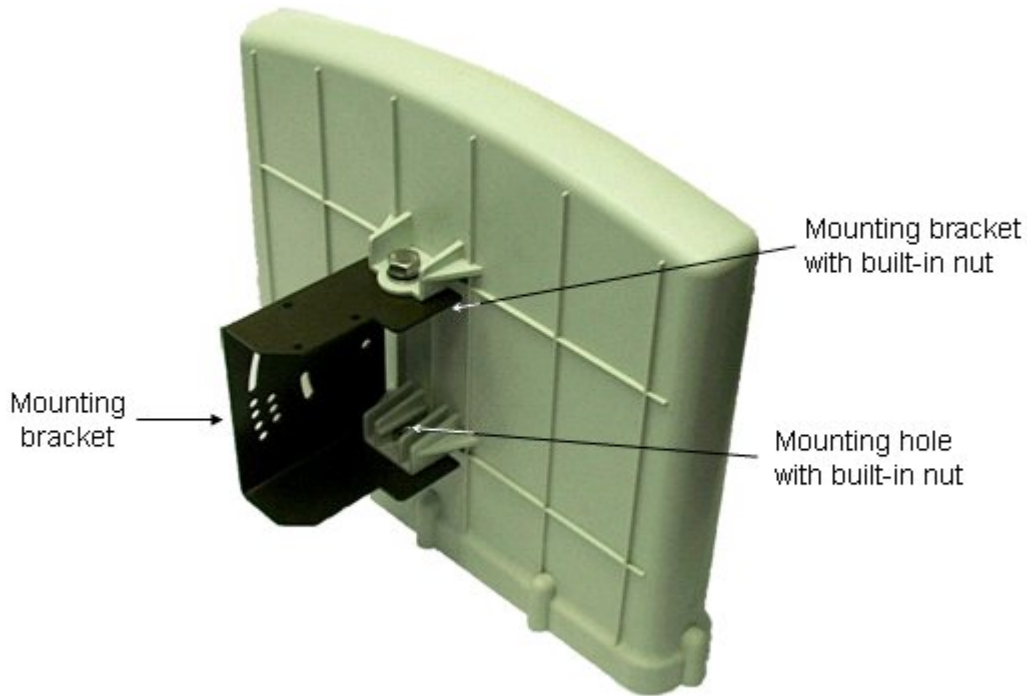
on the ProST's back panel and the supplied (when ordered) pole-mounting brackets. The pole-mounting bracket is designed to support the ProST on a round pole of 45 mm in diameter.

The figure below illustrates a summary of the ProST pole-mounting procedure.

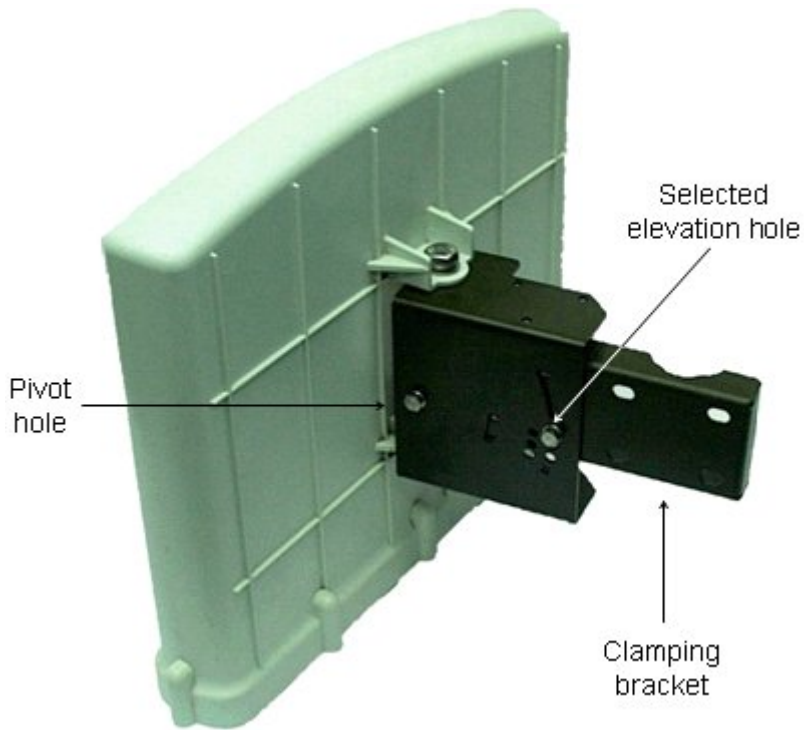


To pole mount the ProST:

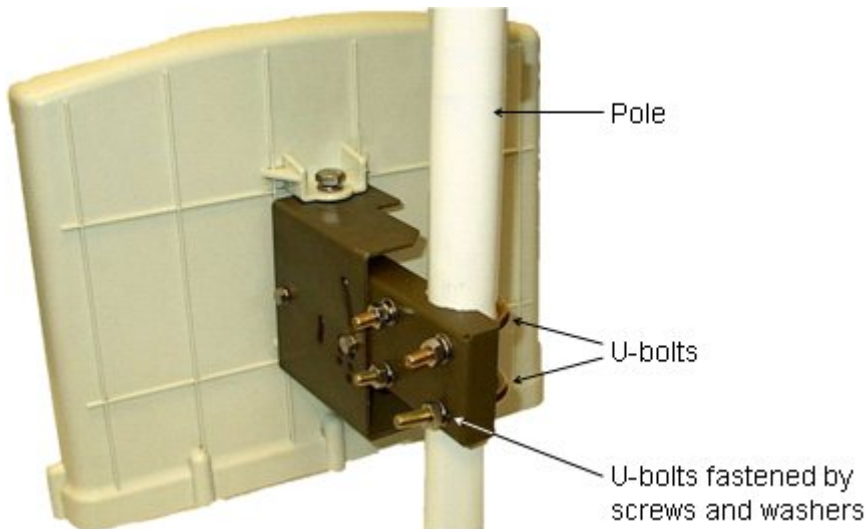
1. Attach the mounting bracket to the ProST:
 - a. Align the mounting bracket with the ProST's mounting holes so that the mounting bracket's side with the built-in nut is aligned with the ProST's mounting holes furthest from the ProST's bottom panel, as shown in the figure below.
 - b. Slide an M10-flat washer and M10-spring lock washer onto an M10-hex head screw (ensure spring lock washer is closest to the bolt's head). From the external side, insert the M10-hex head screw through the mounting bracket and ProST's mounting holes. Fasten the M10-hex head screw (one is provided with a built-in nut while the other requires you to insert an M10-hex nut into the ProST's mounting hole).



2. Attach the clamping bracket to the mounting bracket:
 - a. Slide an M6-spring lock washer onto an M6-hex head screw. Align the mounting bracket's and clamping bracket's pivot holes, such that the clamping bracket is aligned to the inside of the mounting bracket. From the external side of the mounting bracket, insert the M6-hex head screw into the pivot holes and then fasten, but not tightly. (The clamping bracket provides a built-in nut.)
 - b. Choose an elevation hole on the mounting bracket and then align it with the corresponding hole on the clamping bracket. Slide an M6-spring lock washer onto an M6-hex head screw, and then from the external side of the mounting bracket, insert the M6-hex head screw through the elevation hole on the mounting bracket and into the clamping bracket's corresponding hole. Fasten but not tightly the M6-hex head screw (the clamping bracket provides built-in nut). The elevation hole can later be changed according to desired antenna orientation in the elevation plane.



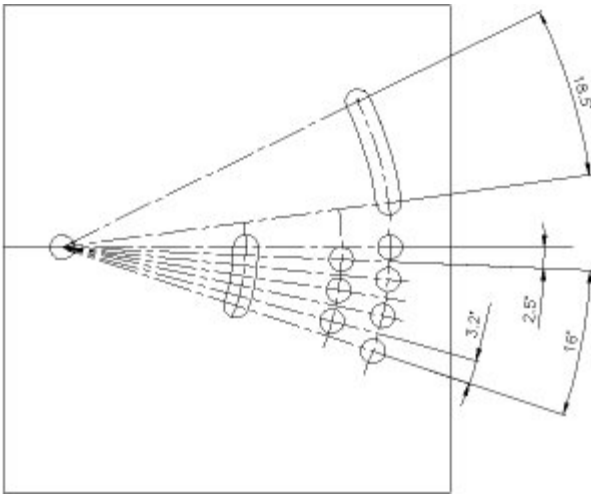
3. Attach the U-bolt to the pole:
 - a. Place one U-bolt around the pole, and then insert the U-bolt screw side through the two corresponding holes (horizontally parallel) on the clamping bracket. Slide an M8-flat washer and M8-spring lock washer onto each U-bolt screw side (ensure that the flat washer is adjacent to the clamping bracket). Fasten each U-bolt side with the two M8-hex nuts.
 - b. Attach the second U-bolt as described above.



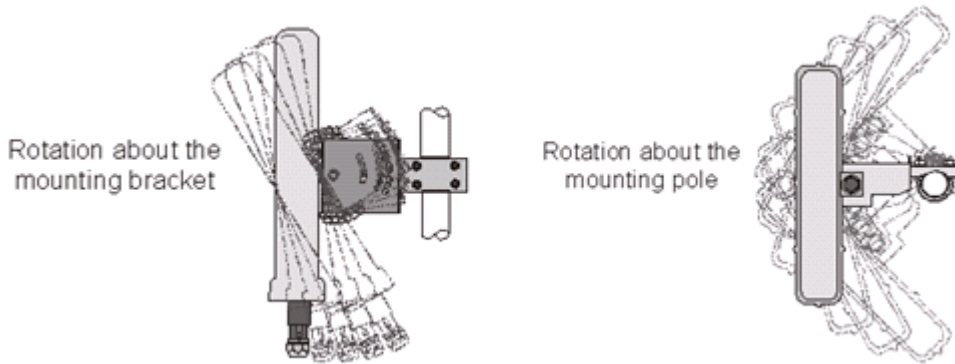
4. Perform final ProST orientation:
 - a. Adjust the vertical position of the ProST by choosing a final elevation hole as described in Step 2. Lock the ProST at the desired position by inserting the locking bolt in the desired position and fastening it tightly. Fasten tightly the bolt in the pivot hole. The figure below illustrates the angles (in degrees) of each elevation hole. As shown, the ProST pole-mounting bracket allows elevation between -18.5° and 26.3° .


- b. Adjust the horizontal position of the ProST by rotating it about the pole, and then tightening the nuts of the U-bolts.

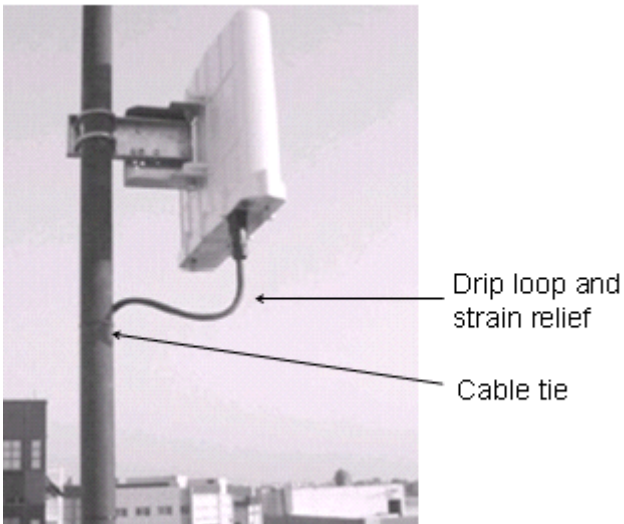
 **Note:** A thread-locking compound must be used to prevent the bolts from working loose.



ProST positioning is obtained in two planes by adjustment of the mounting bracket assembly as shown below:



 **Note:** It is important to provide strain relief and drip loop for Cat-5 cables. Create a drip loop and strain relief using cable tie, to tie cable to pole, as displayed in the figure below.



SDA-4S

The SDA-4S adapters (all types) can be mounted either horizontally on a desktop or vertically on a wall.

Desktop Mounting

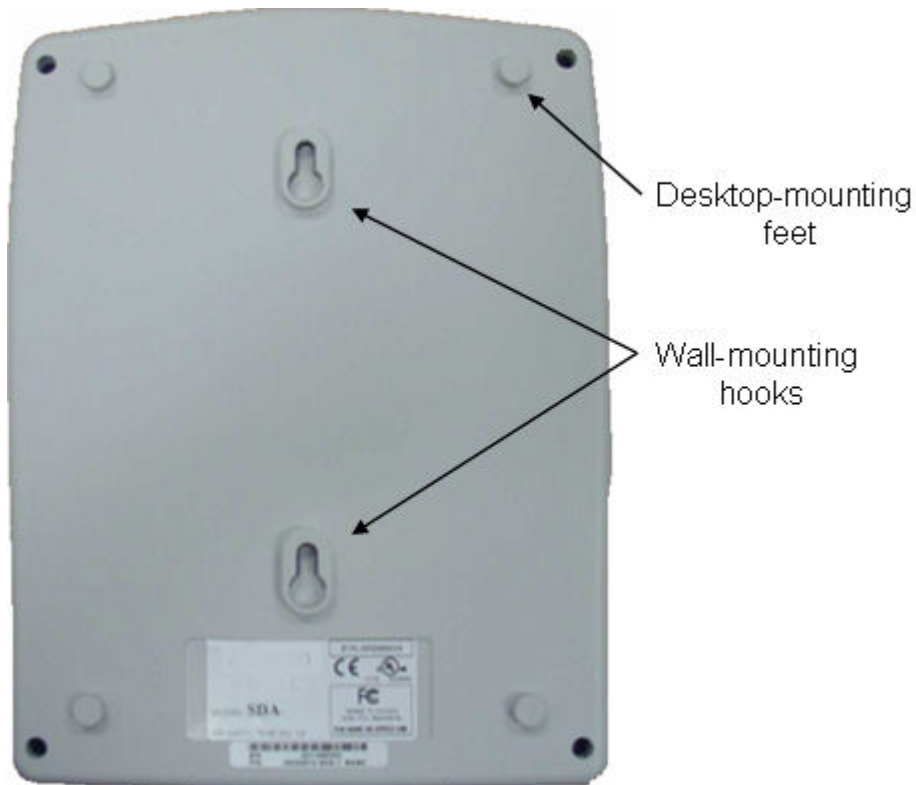
Desktop mounting is made possible by the existence of four feet, each located on the four corners of the SDA-4S bottom panel. Therefore, no installation is necessary for desktop mounting.



Warning: To prevent a fire hazard caused by overheating, do not place the SDA-4S on a carpeted surface where airflow is restricted.

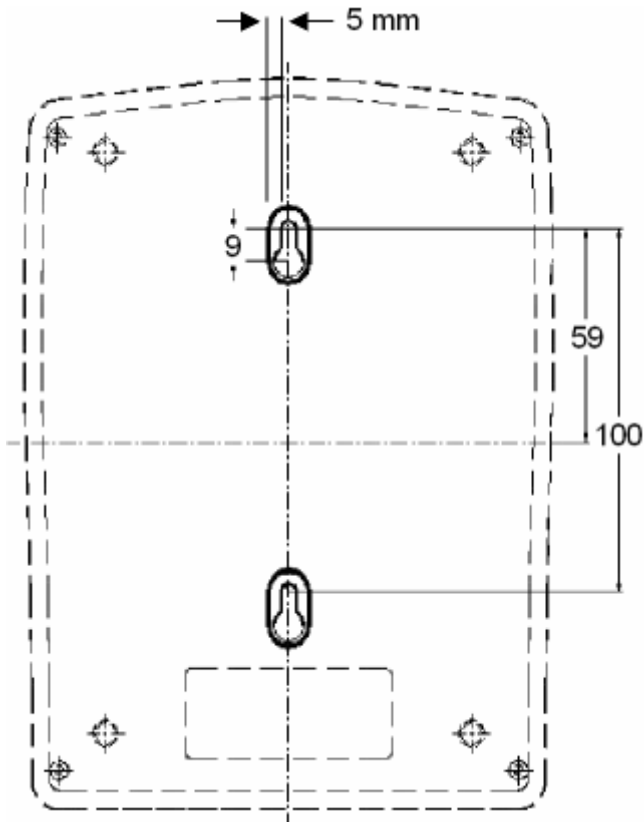
Wall Mounting

Wall mounting is made possible by the existence of two mounting hooks molded into the SDA-4S's bottom panel, as displayed in the figure below.




To wall mount the SDA:

1. On the wall, mark the position of the two mounting hooks. The dimensions of the wall-mounting hooks are displayed in the template below.



2. Drill holes for each hole that you marked in the step above.
3. Insert wall anchors (supplied) into each of the drilled holes.
4. Insert the 9-inch screws (supplied) into the wall anchors. Ensure at least 2 mm of the screw is exposed to allow insertion into the SDA-4S mounting holes.
5. Hold the SDA-4S with both hands, and align the entrance to the two mounting hooks with the screws. Slide the screws into the mounting hooks, by lowering the SDA-4S onto the screws.

 **Note:** For safety, use both mounting hooks to mount the unit.

 **Note:** The SDA-4S is supplied with a 1 meter AC power lead assembly. Ensure the unit is mounted within 1 meter of the main power outlet.

 **Note:** The maximum cable run between SDA-4S and ProST is 100 meters.

NETWORK CABLING

ProST interfaces with the subscriber's network through the IDU (i.e. typically the SDA-1 Type II, or optionally through the SDA-4S Type II, SDA-4S/VL Type II or SDA-4S/DC). The ProST also receives DC power from the IDU.

This section describes the ProST network cabling:

- ▶ [Connecting ProST to IDU](#)
- ▶ [Connecting IDU to a Computer](#)

 **Note:** Use CAT5 unshielded cable only.

Connecting to IDU

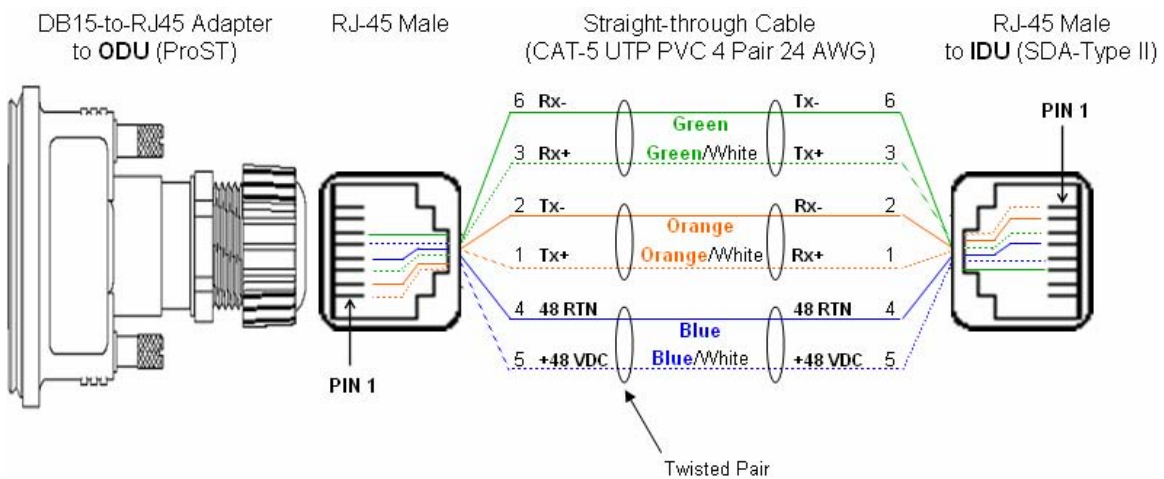
The ProST typically interfaces with the subscriber's network using the indoor SDA-1 Type II adapter. However, optional IDU adapters (SDA-4S Type II, SDA-4S/VL Type II or SDA-4S/DC) are offered that provide multiple LAN ports for interfacing with the subscriber's network.


Using the SDA-1 Type II


The ProST connects to the SDA-1 using a CAT 5 cable with 8-pin RJ-45 connectors on either end. The ProST provides a 15-pin D-type port for interfacing with the SDA-1. However, for allowing the use of RJ-45 connectors, your ProST kit includes a DB15-to-RJ45 adapter that can easily be attached to the ProST's 15-pin D-type port.

The cable setup for ProST-to-SDA-1 connectivity is as follows:

- ▶ **Cable:** Straight-through CAT 5 Ethernet cable
- ▶ **Connectors:**
 - ProST: DB15-to-RJ45 adapter
 - CAT 5 cable with 8-pin RJ-45 male connectors on either end
- ▶ **Connector pinouts:**



 **Note:** The SDA-1 Type II is protected in the event power is inadvertently inserted to the radio port so as not to damage the Ethernet card.

 **Note:** A DB15-to-RJ45 (gray colored) adapter for plugging into the ProST's 15-pin D-type port (pins 7 & 8 disconnected) is included, replacing previous (black colored) adapter.

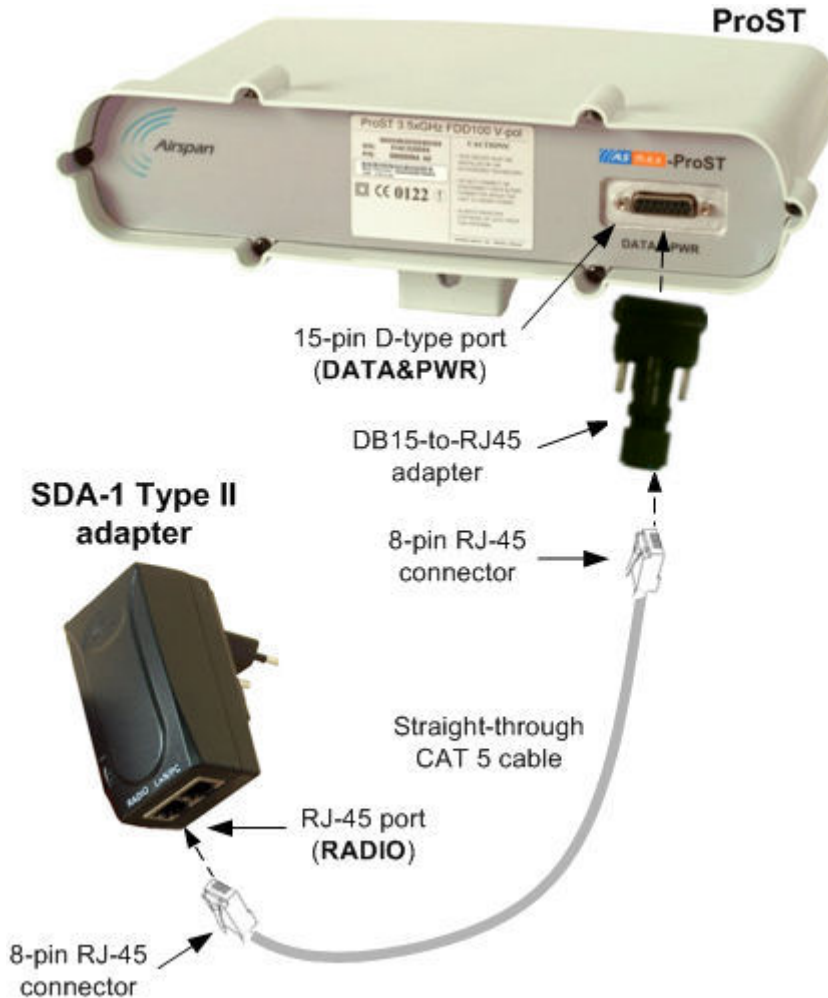


Notes:

- Only pins 1 to 6 are used.
- When using previous black adapter (outdoor DB15-to-RJ45) , pins 7 and 8 **must not** be wired to the ProST end.
- The wire color-coding described in the table is Airspan's standard for wire color-coding. However, if you implement your company's wire color-coding scheme, ensure that the wires are paired and twisted according to pin functions listed in the table above (e.g. Rx+ with Rx-).
- The maximum CAT 5 cable length for ODU/IDU connectivity is 100 meters.

To connect the ProST to the SDA-1:

1. Attach the DB15 side of the DB15-to-RJ45 adapter to the ProST's 15-pin D-type port (female), labeled **DATA & PWR**.
2. Plug the RJ-45 connector of the Category 5 Ethernet cable (not supplied) into the RJ-45 port of the DB15-to-RJ45 adapter.
3. Plug the RJ-45 connector, at the other end of the Category 5 Ethernet cable, into the SDA-1's RJ-45 port labeled **RADIO**.



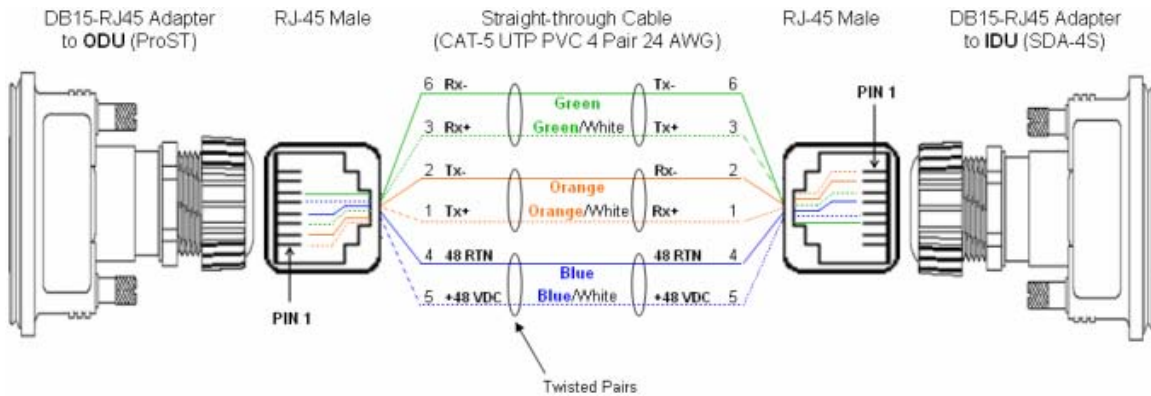
Using the SDA-4S Type II, SDA-4S/VL Type II or SDA-4S/DC Type II

The SDA-4S Type II, SDA-4S/VL Type II or SDA-4S/DC Type II adapters (referred hereafter as SDA-4S) provide one 15-pin D-type female port for interfacing with the ProST (which also provides a 15-pin D-type female port).

The ODU-to-IDU connectivity implements a CAT 5 cable with 8-pin RJ-45 connectors at either end. However, for allowing the use of RJ-45 connectors, your ProST kit includes two DB15-to-RJ45 adapters that can easily be attached to the 15-pin D-type ports of the ProST and SDA-4S.

The cable setup for ProST to SDA-4S connectivity is as follows:

- ▶ **Cable:** Straight-through CAT 5 Ethernet cable
- ▶ **Connectors:**
 - **ProST:** DB15-to-RJ45 adapter
 - **SDA-4S:** DB15-to-RJ45 adapter
 - CAT 5 cable with 8-pin RJ-45 male connectors on either end
- ▶ **Connector pinouts:**

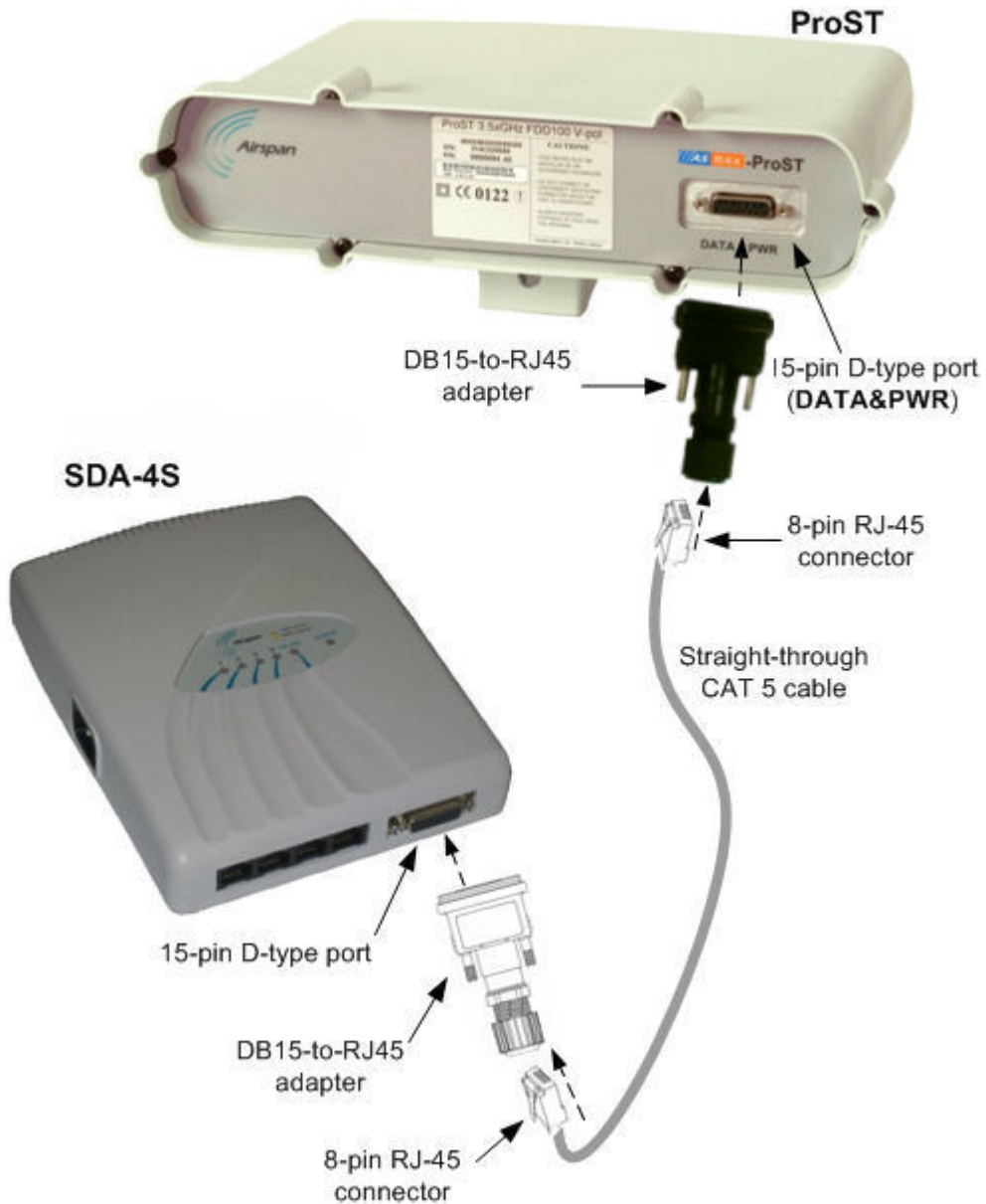


Note: The standard ProST/ProST-WiFi kit does not include the SDA-4S Type II, SDA-4S/VL Type II or SDA-4S/DC adapters. For pricing and ordering of either the SDA-4S Type II, SDA-4S/VL Type II or SDA-4S/DC adapter, please contact your nearest Airspan dealer.

- Notes:**
- The wire color-coding described in the table is Airspan's standard for wire color-coding. However, if you implement your company's wire color-coding scheme, ensure that the wires are paired and twisted according to pin functions listed in the table above (e.g. Rx+ with Rx-).
 - The maximum CAT 5 cable length for ODU/IDU connectivity is 100 meters.

To connect the ProST to the SDA-4S:

1. Attach the DB15 side of the DB15-to-RJ45 adapter to the ProST's 15-pin D-type port (female), labeled **DATA & PWR**.
2. Attach the DB15 side of the second DB15-to-RJ45 adapter to the SDA-4S's 15-pin D-type port (female).
3. Plug the RJ-45 connector, at one end of the CAT 5 cable (not supplied), into the RJ-45 port of the DB15-to-RJ45 adapter located at the ProST.
4. Plug the RJ-45 connector, at the other end of the CAT 5 cable, into the RJ-45 port of the DB15-to-RJ45 adapter located at the SDA-4S.



Connecting to LAN Network

The ProST typically interfaces with the subscriber's LAN network using the indoor SDA-1 Type II adapter. This adapter provides one 100BaseT interface. However, optional IDU adapters (SDA-4S Type II, SDA-4S/VL Type II or SDA-4S/DC Type II) are offered that provide four LAN ports for interfacing with the subscriber's LAN network.



Warning: Only subscriber terminal equipment (e.g. computer modem port) that is designed for full compliance with TNV-1 telecommunication network connectivity can be connected to the SDA-1. Warranty of Airspan's equipment shall be made void if the SDA-1 is connected to a computer that is not compliant with TNV-1.

Using SDA-1 Type II


The SDA-1 Type II provides a single 100BaseT interface with the subscriber's LAN network.

The cable setup for SDA-1 Type II connectivity is as follows:

- **Cable:** Straight-through CAT 5 Ethernet cable

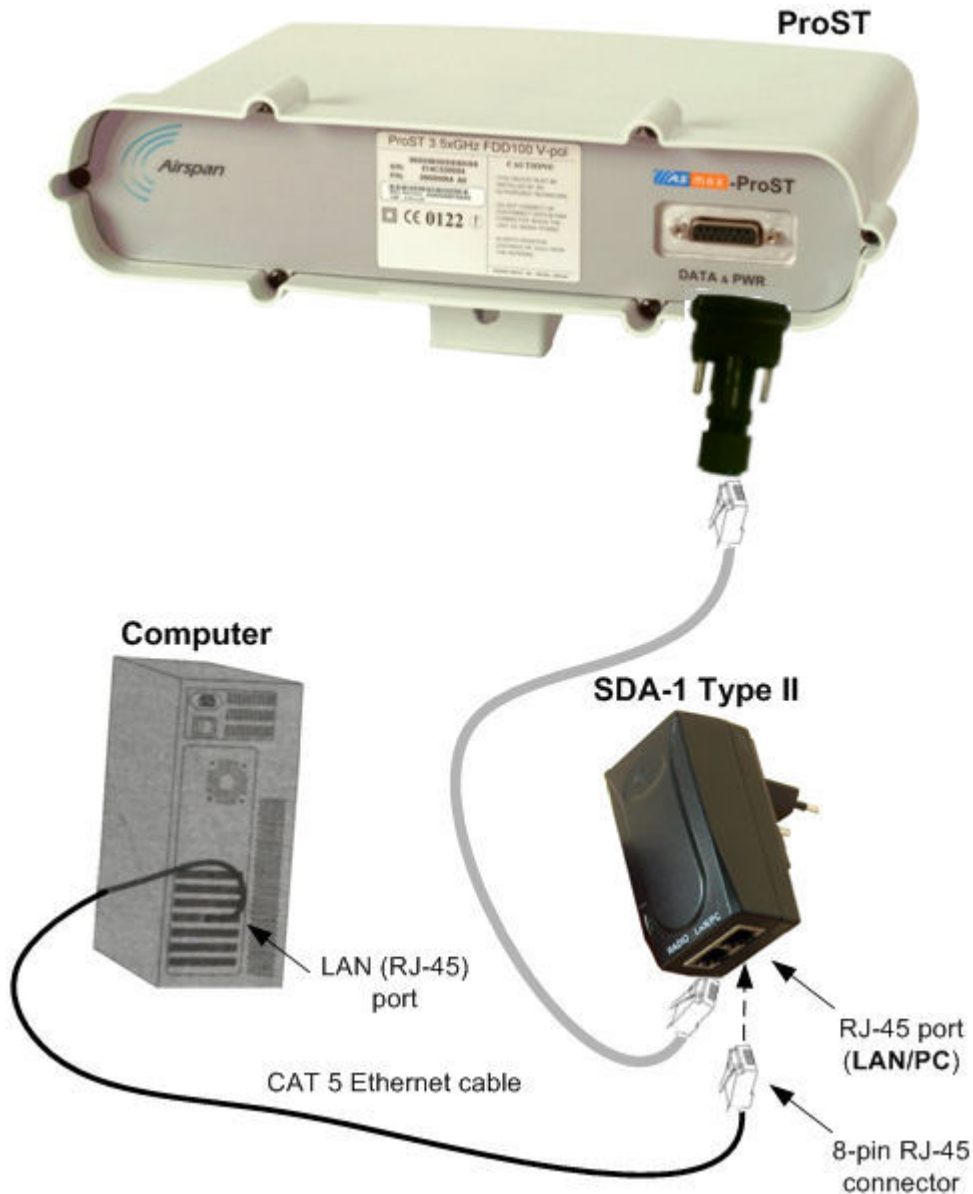
▣ **Connectors:** 8-pin RJ-45

▣ **Connector pinouts:**

Pin	Function	8-Pin RJ-45
1	Tx+	
2	Tx-	
3	Rx+	
6	Rx-	

To connect the ProST to the subscriber's network/PC (via SDA-1 Type II):

1. Plug the supplied Category 5 Ethernet cable into the SDA-1's RJ-45 port labeled **LAN/PC**.
2. Plug the loose end of the Category 5 Ethernet cable into the computer's LAN port.



Using the SDA-4S Type II, SDA-4S/VL Type II or SDA-4S/DC Type II


The SDA-4S Type II, SDA-4S/VL Type II or SDA-4S/DC adapters (referred hereafter as SDA-4S) provide four RJ-45 (100BaseT) ports for interfacing with the subscriber's LAN network. The difference between these adapters is that the SDA-4S/VL supports VLAN functionality at the ports.

The ports of the SDA-4S models support Auto Negotiation, allowing automatic configuration for the highest possible speed link (10BaseT or 100BaseT), and Full Duplex or Half Duplex mode. In other words, the speed of the connected device (e.g. PC) determines the speed at which packets are transmitted through the specific port. For example, if the device to which the port is connected is running at 100 Mbps, the port connection will transmit packets at 100 Mbps. Conversely, if the device to which the port is connected is running at 10 Mbps, the port connection will transmit packets at 10 Mbps.


In addition, the SDA-4S ports support MDI/MDI-X automatic crossover, allowing connection to straight-through or crossover CAT-5 cables. Therefore, these ports can be connected to either a hub (i.e. using crossover cables) or a PC (i.e. using straight-through cables).

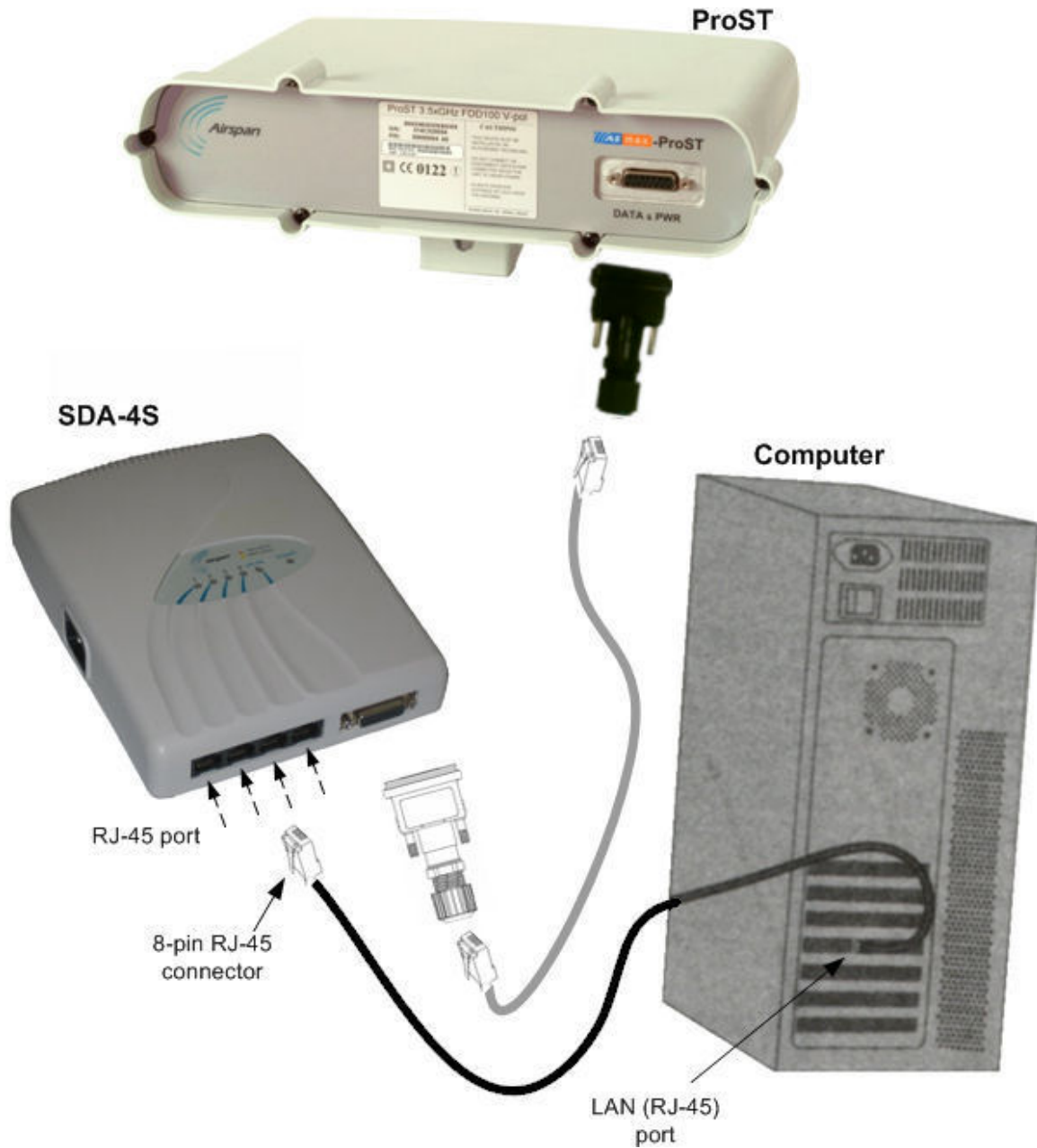
The cable setup for SDA-4S LAN connectivity is as follows:

- ▶ **Cable:** Straight-through (e.g. when connecting to PC) or crossover (i.e. when connecting to a hub) CAT 5 Ethernet cable
- ▶ **Connectors:** 8-pin RJ-45 at both ends
- ▶ **Connector pinouts:**
 - Straight-through cable (e.g. connecting to a PC)

Pin	Function	8-Pin RJ-45
1	Tx+	
2	Tx-	
3	Rx+	
6	Rx-	

- Crossover cable (e.g. connecting to a hub)

Pin	Function	Pin	Function	8-Pin RJ-45
1	Rx+	3	Tx+	
2	Rx-	6	Tx-	
3	Tx+	1	Rx+	
6	Tx-	2	Rx-	



Using SDA-MSG

Optional extension VoIP module enabling VoIP functionality to your ProST units.

 **Note:** For pin-out refer to SDA-1 Type 2 above.

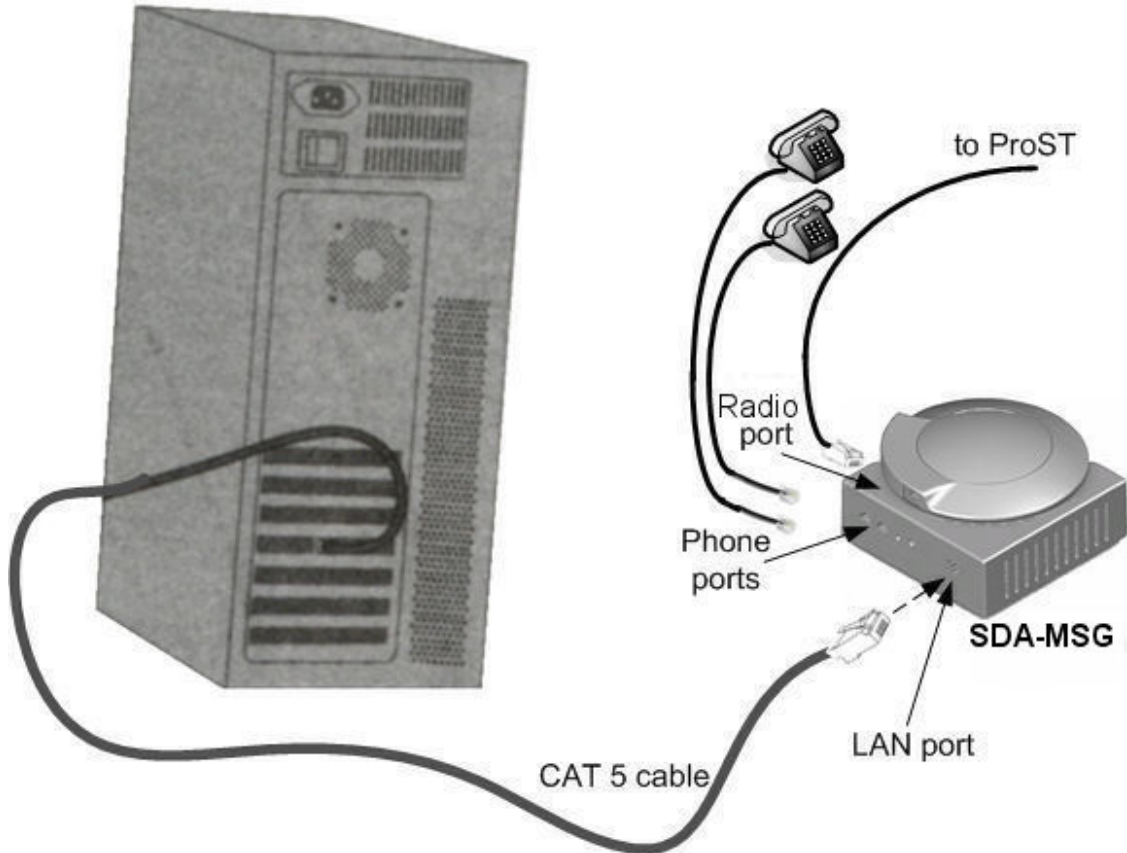
To connect the SDA-MSG's Radio port to Ethernet network and the RJ 45 port to ProST:

1. Plug the Category 5 Ethernet cable into the MSG unit 8-pin RJ-45 LAN port.
2. Plug the other end of the Category 5 Ethernet cable into your computer's LAN port located at the back of your computer.
3. Plug the additional Category 5 Ethernet cable into the other SDA unit 8-pin RJ-45 Radio port and then into the ProST.

4. Plug standard telephone cable(s) (with RJ 11 ends) into phone(s) and MSG jack(s).

The figures below illustrate the SDA-MSG-to-computer cable and SDA-MSG-to-ProST (or ProST-WiFi) cable connection:

Subscriber's computer



Using SDA-WiFi

Optional extension WiFi module enabling WiFi functionality to your ProST units.

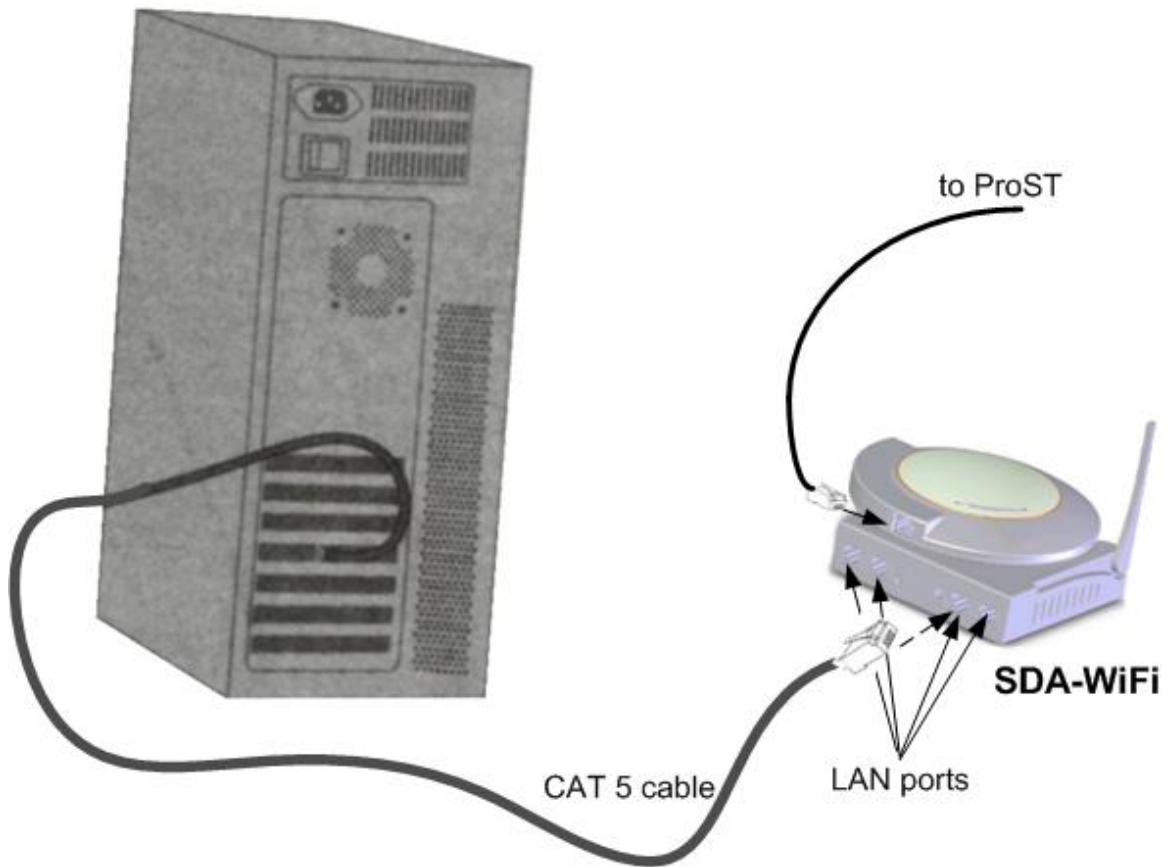
 **Note:** For pin-out refer to SDA-1 Type 2 above.

To connect the SDA-WiFi's LAN port(s) to Ethernet network and the RJ 45 port to ProST:

1. Plug a Category 5 Ethernet cable into one or more of the SDA-WiFi unit's 8-pin RJ-45 LAN ports.
2. Plug the other end of the Category 5 Ethernet cable into a computer's LAN port located at the back of the computer.
3. Plug the additional Category 5 Ethernet cable into the PSA unit 8-pin RJ-45 Radio port and then into the ProST.

The figures below illustrate the SDA-WiFi-to-computer cable and SDA-WiFi-to-ProST cable connection:

Subscriber's computer



CONNECTING TO POWER

The ProST is a DC-powered device requiring 48 VDC at 24W max. The ProSt is powered by the SDA-1 Type II or optionally by the SDA-4S Type II, SDA-4S/VL or the SDA-4S/DC internal integrated LAN switches connecting to the ProST through the ProST's 15-pin D-type port.

ProST can be powered from one of the following power sources:

- ▶ [DC power](#): connected directly to a 10 - 52 DC power source
- ▶ [AC power](#): connected to a standard electrical wall outlet (110/240 VAC) using an AC/DC power adapter

In addition, Airspan offers an optional [third-party outdoor, lightning and surge protector](#) that protects the ODU-to-IDU CAT 5 cable's power and data signals from any electrical surges due to lightning strikes.

 **Note:** ProST is designed with a built-in lightning surge protection that complies with the Surge Immunity standard EN 61000-4-5.

DC Power Source

ProST can be connected directly to a DC power supply unit that supplies 10 – 52 VDC (0.2 to 0.9 A; 15W maximum, assuming up to 100-m cable length between ProST and power source).

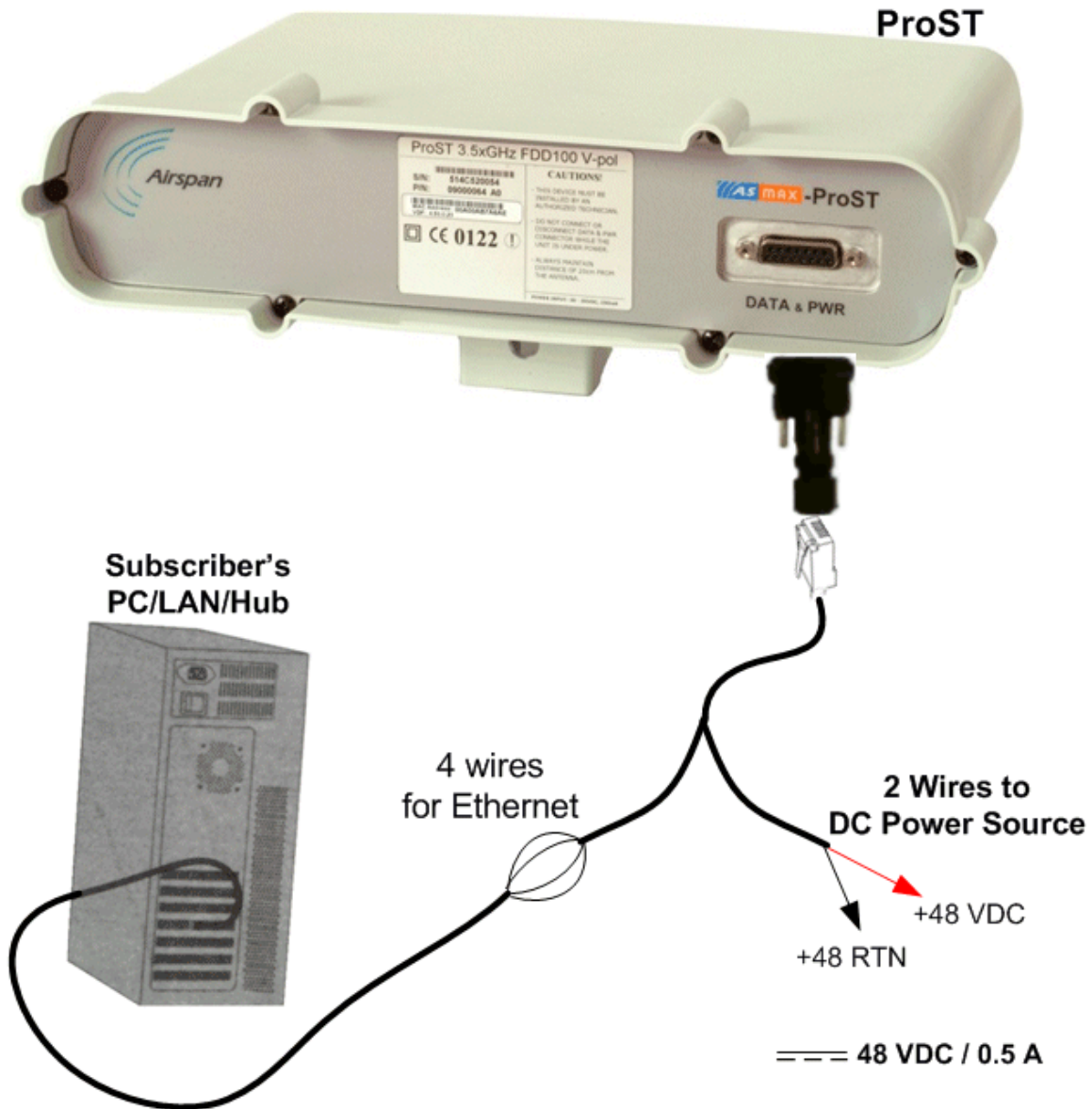
The ProST-to-DC power connectivity is supported by a splitter cable. One end of the splitter cable connects to the ProST (using the RJ45-to-DB15 adapter or connecting directly to the 15-pin D-type port); the other end of the cable splits into the following two wire groups:

- ▶ One group for the subscriber's Ethernet interface (four wires for the Tx and Rx signals)
- ▶ One group for the DC power source interface (two wires for +48 VDC and +48 RTN)



Warning: ProST should be powered by a safety approved Class II limited DC power source with maximum current of 1A.

The figure below displays the ProST-to-DC power supply cable setup:

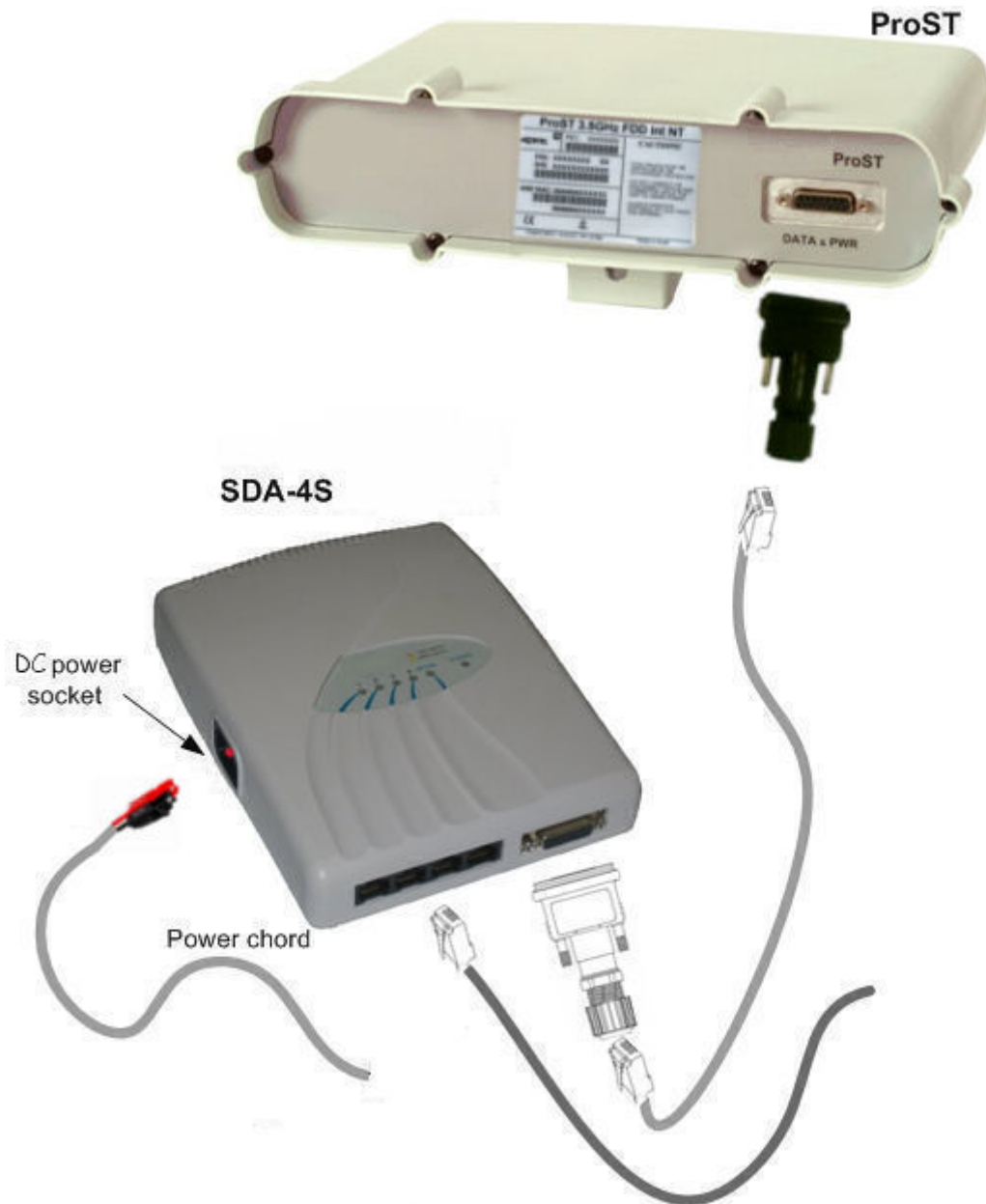


Connecting the SDA-4SDC Type II (Optional DC adapter)

The SDA-4S/DC adapter is connected to the DC power supply using a cable appropriate to the specific field conditions.

The setup between the SDA-4SDC and power connection includes the following:

- **Connector:** Anderson Connector Housings for connecting the cable to the SDA-4SDC DC power socket.
 - 1327 - Red Housing x 1
 - 1327G6 - Black Housing x 1



AC Power Source

ProST is powered from an AC power source when implementing the SDA-1 Type II, which is plugged directly into a standard electrical wall outlet (110/240 VAC). The optional IDU adapters (SDA-4S Type II and SDA-4S/VL Type II) also power ProST from the subscriber's AC electrical wall outlet. The difference between the SDA-1 Type II and SDA-4S Type II adapters is the method of connectivity to the power outlet, as discussed in the subsections below.

Using SDA-1 Type II

The SDA-1 Type II is plugged directly into a standard electrical wall outlet ((110/240 VAC). The SDA-1 Type II also allows easy plug prongs replacement to suit the electrical wall socket (e.g. American vs. European type) of the geographical location in which the ProST is being installed.

The AC power cabling consists of the following stages:

- 1 [Changing SDA-1 Type II plug prongs](#)

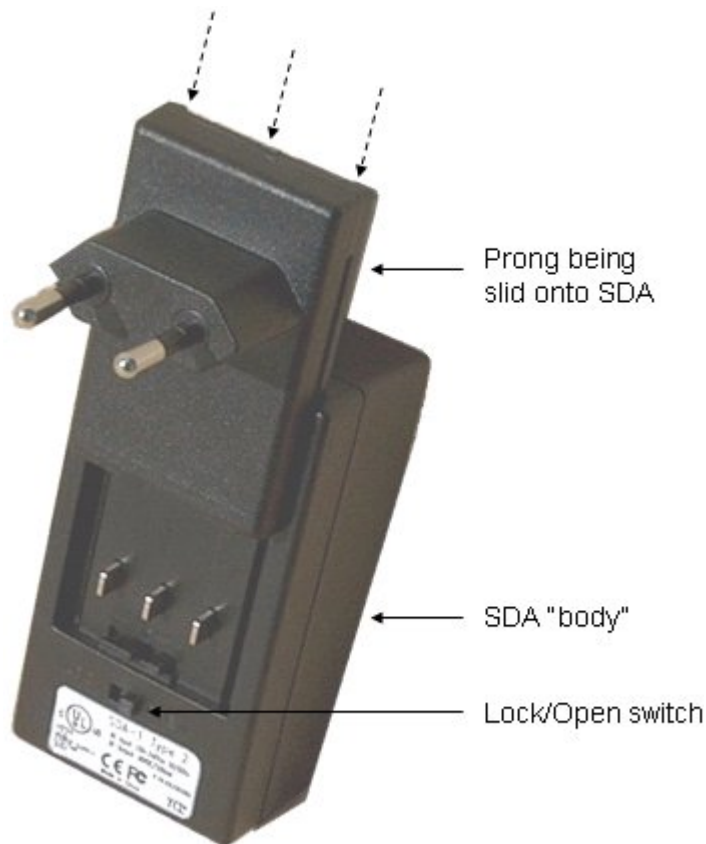
▶ [Plugging SDA-1 into wall outlet](#)

Changing the SDA-1 Type II Plug Prongs

The SDA-1 Type II allows you to attach plug prongs suited to the electrical wall socket of the country in which you are installing the equipment. Therefore, before plugging the SDA-1 Type II into the electrical outlet, ensure that the correct prongs are attached to the SDA-1 Type II.

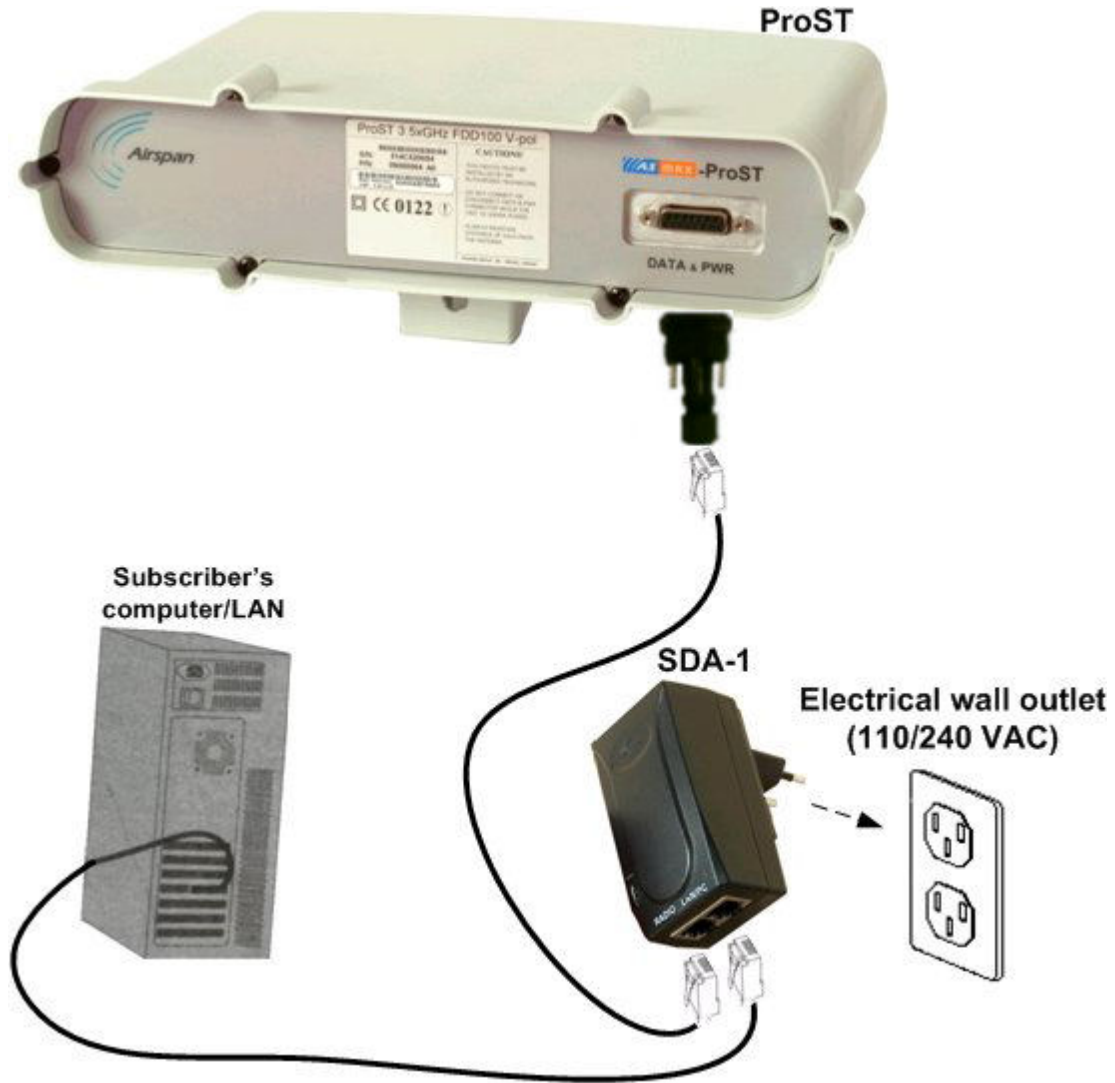
To change the SDA-1 Type II plug prongs:

1. On the rear of the SDA-1 Type II, slide the locking switch to **OPEN**.
2. Remove the prongs by sliding the prongs in the direction away from the switch.
3. Insert the desired prongs by aligning the prongs with the SDA-1 Type II's prong groove, and then sliding the prongs onto the SDA-1 Type II until it reaches the end of the groove.
4. Lock the prongs in place by moving the switch to **LOCK**.



Plugging the SDA-1 Type II into an Electrical Wall Outlet

After you have attached the suitable plug prongs onto the SDA-1 Type II , you can plug it into a standard electrical wall outlet (110/240 VAC), as illustrated below.



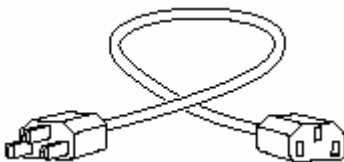
Verify that your SDA-1 Type II is on and receiving power by checking that the LED labeled **POWER** is lit (see [SDA-1 Type II LED description](#)). If it is not lit, see [Troubleshooting](#).

Using SDA-4S Type II and SDA-4S/VL Type II

The SDA-4S adapters are plugged into a standard electrical wall outlet (110/240 VAC) using an AC power cord. The appropriate AC power cord is supplied according to the country of use.

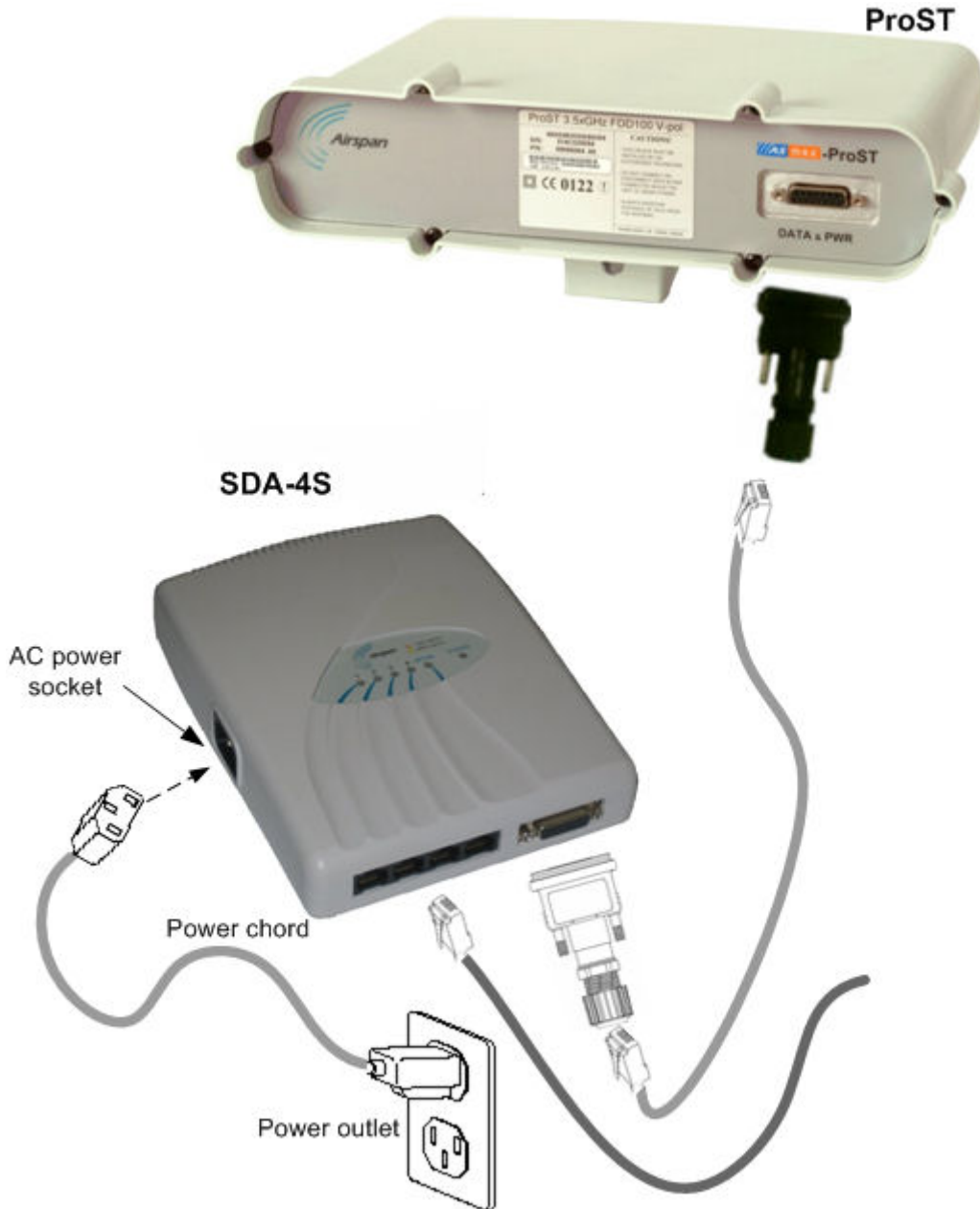
The cable setup between the SDA-4S and power outlet includes the following:

- ▶ **Connector:** AC IEC 60320 type (female)
- ▶ **Plug:** The appropriate plug type is supplied according to the country of use
- ▶ **Cable:** 3x1.20 mm, 10A / 250 VAC (maximum length is 180 cm)



To connect the SDA-4S to the AC power supply:

1. Connect the power plug female, at the end of the AC power chord, into the AC power socket located on the left panel of the SDA-4S.
2. Plug the power plug male, at the other end of the AC power chord, into the AC power outlet (110-240 VAC).
3. Verify that the power is received by the SDA-4S by checking that the **POWER** LED light is on.



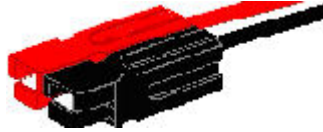
Verify that your SDA-4S is on and receiving power by checking that the LED labeled **POWER** is lit (see [SDA-4S LED description](#)). If it is not lit, see [Troubleshooting](#).

CONNECTING POWER CABLE FOR SDA-4SDC

Power Cable Connection

In the SDA-4SDC installation Kit there are two polarized and genderless unassembled Anderson Powerpole power connectors: **red** for positive connection and **black** for the negative connection.

Power connectors (Anderson Powerpole)



The power connectors consist of housing (hood and a contact pins). The contact pin is displayed below:



Housing the Connectors

The power connectors are supplied unassembled. Therefore, you need to crimp the power wires to the connector's contact pins, and then house them in the Powerpole hood.

Crimping the power wires to the connectors:

1. Insert the wire into the contact pin's barrel, and then, with a standard crimping tool crimp the barrel tightly onto the wire (recommended 16 AWG cable wire).




2. Insert the contact into the hood with the contact's **tongue pointing downwards** and snap into place. Ensure that the housing spring mates with the underside of the contact's tongue.



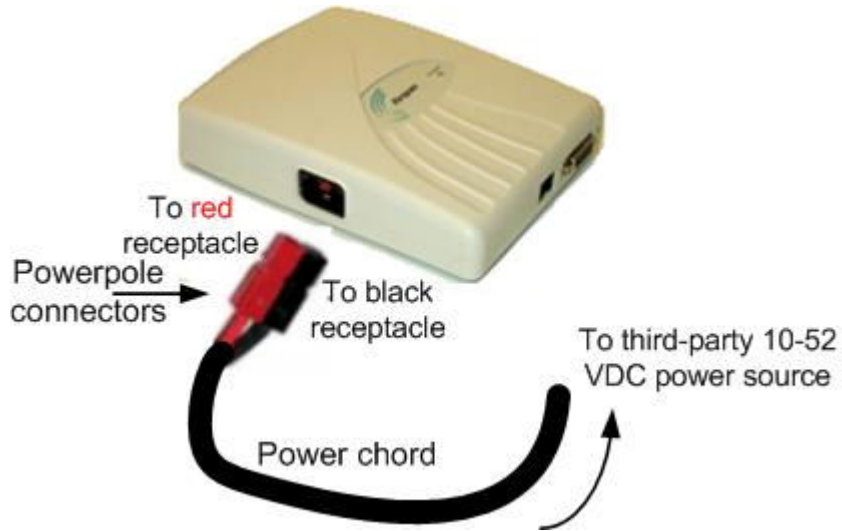
Connecting to the SDA-4SDC

Once you have crimped the power cord to the Powerpole connectors, connect the power connectors to the SDA-4SDC power receptacles.

To connect the power cord to the SDA-4SDC

 **Note:** The plastic housings are held together with dovetail joints. Always slide these joints together! They will be damaged if you try to snap them together or apart. They **ONLY** slide together in one direction. This should be obvious looking at them carefully.

1. Assemble the **red** and **black** plastic housings together. Mate both connectors, by sliding them along the dovetail joints. When looking at the connector side (not the wire side), the **red** connector should be on the left and the **black** on the right. The housing dovetails should be mated fully.
2. Connect the power connectors to the SDA-4SDC power receptacles so that the connectors' color matches the receptacle's color, red to red (**positive**), and black to black (**negative**).
3. Connect the other end of the power cord to the third-party DC power source. Ensure that the positive and negative sides are correct.



CONNECTING LIGHTNING AND SURGE PROTECTOR

The optional third-party lightning and surge protector (PolyPhaser) is implemented in the following deployment scenarios:

- ❑ ODU-to-IDU cable length of 40 meters or more (**optional to use surge protector unless required by local law**)
- ❑ Deployment of CPE in geographical areas that frequently experience severe lightning storms

The lightning and surge protector protects the ODU-to-IDU CAT 5e cable's six used wires (two -48 VDC wires and four Ethernet Tx and Rx wires) from any electrical surges due to lightning strikes.

The protector is installed outdoors on the CAT 5e cable that connects between the CPE and the SDA. In other words, two CAT 5e cables are required for the following connections:

- ❑ CPE-to-protector connection
- ❑ Protector-to-IDU connection



Warning: Do not install the lightning and surge protector during adverse weather conditions when the threat of lightning strike is possible.



Note: The protector unit must be grounded to a low-impedance (low R and low L) ground system to operate properly.



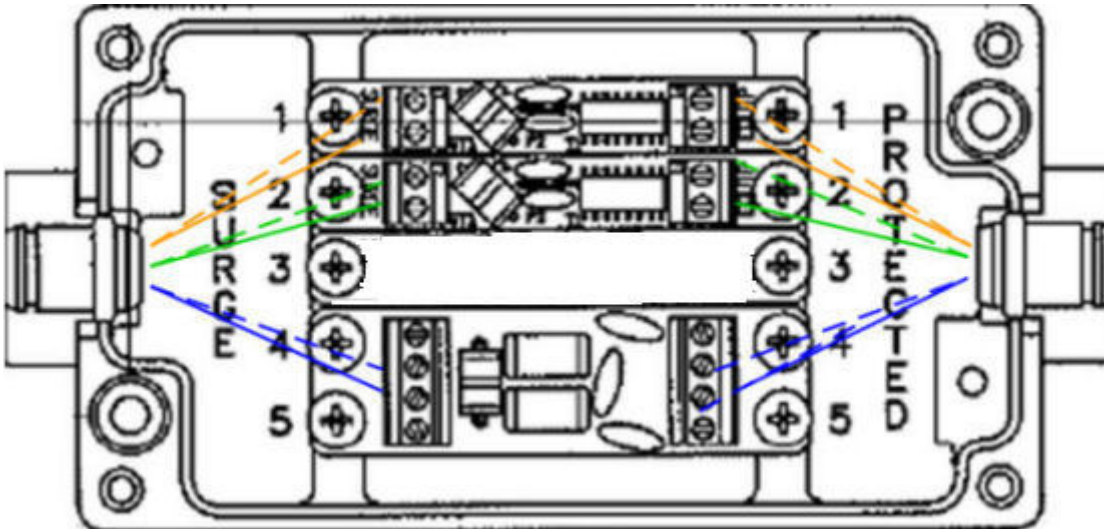
Note: For pricing and ordering of the PolyPhaser lightning and surge protector, contact your Airspan representative.

To install the lightning protector:

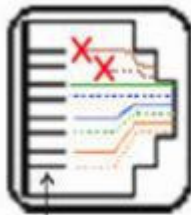
1. Connect the protector in the direction according to the labels. The end labeled SURGE accepts the cable from the ProST; the end labeled PROTECTED accepts the cable from the IDU.
2. Feed the CAT 5 cable through the grommet (for each side). If the RJ-45 connector is already crimped to the other end, ensure that you have fed the cable through the gland nut beforehand. The gland nut secures the cable to the grommet.
3. Strip about 0.25" (6.35 mm) of the cable sheath and expose about 0.03" (0.8 mm) of the strands/wires.
4. Secure the wires to the protector's terminal block using the two spot ties. Each side of the data and DC assembly has + or – markings to ensure lines entering (surge side) match lines exiting (protected side).

PolyPhaser Wiring Diagram

When working with SDA



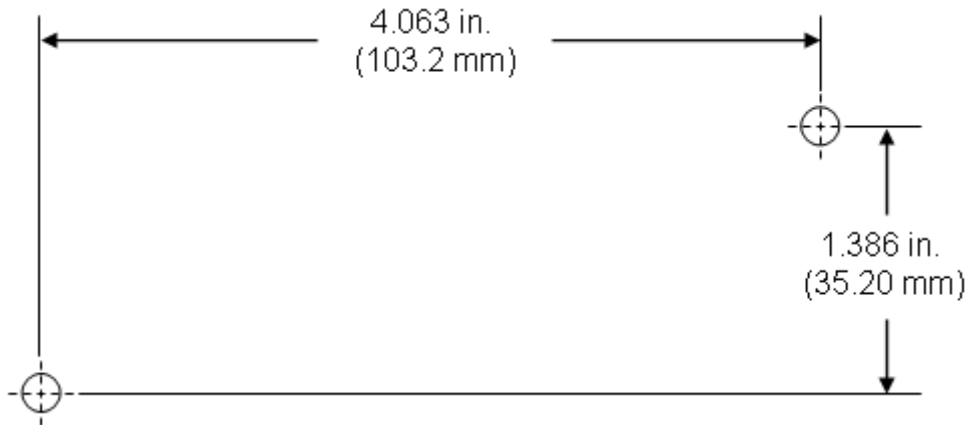
When working with SDA



Pin 1

- brown
- brown/white
- green
- blue/white
- blue
- green/white
- orange
- orange/white

5. Mount and ground the protector outdoors with the provided 2 x 8-32 screws according to the fixing template illustrated below (showing distances between centers of the two mounting holes). The unit may be mounted/grounded on a nearby plate or bulkhead panel that is bonded to an earth-ground system.

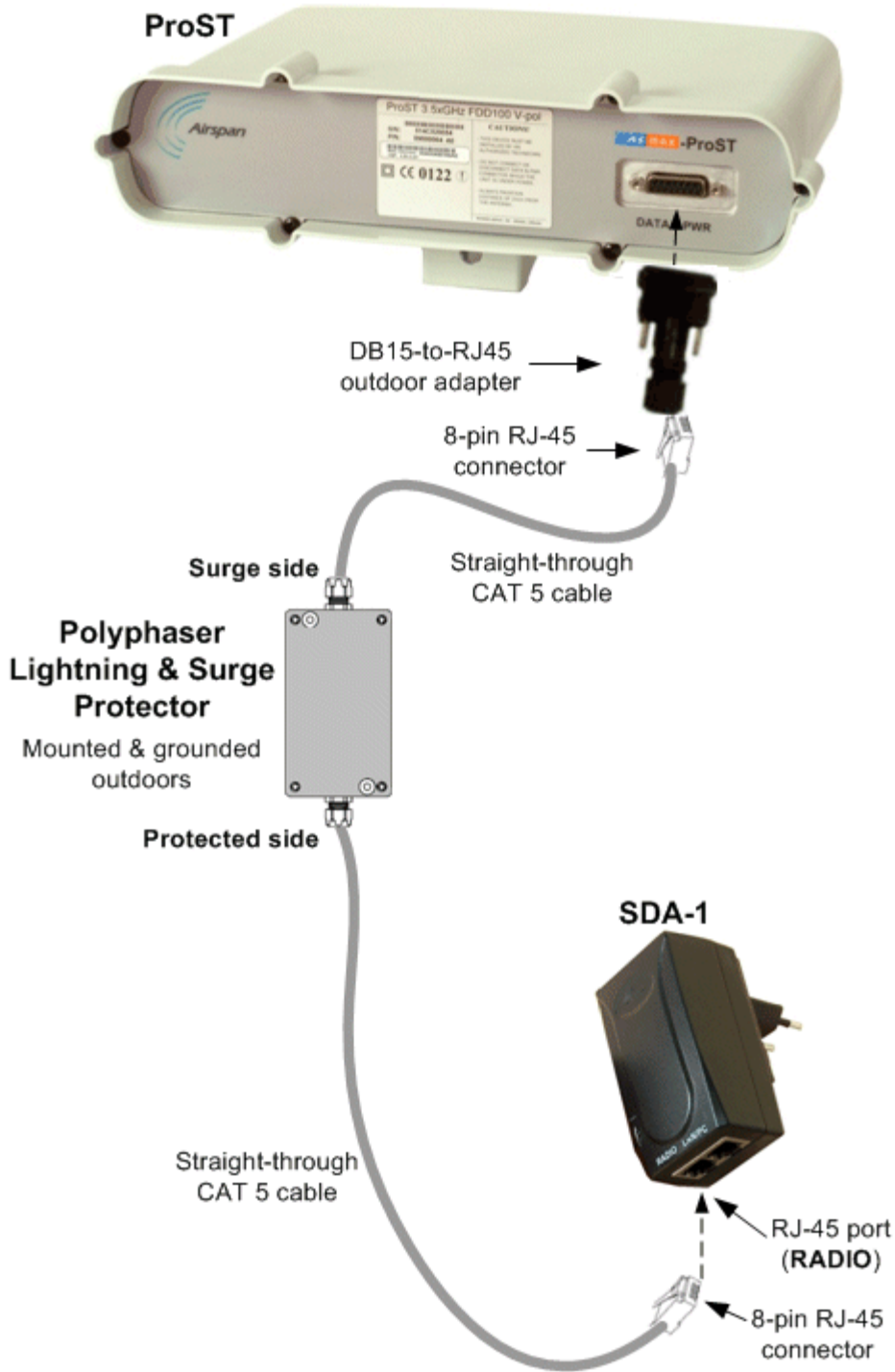


6. Attach the protector's lid by using the four M4 x 20-mm screws. Ensure that the neoprene gasket on the lid is not loose or out of the groove.
7. Secure the CAT 5e cable to the grommet by fastening the gland nut.

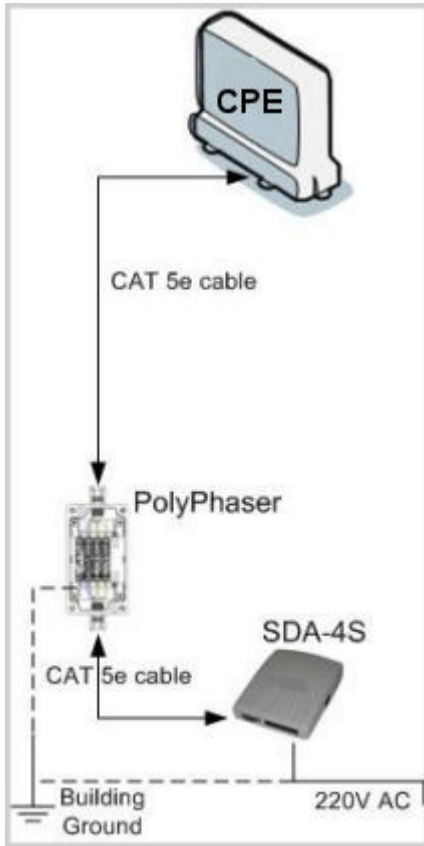
Lightning and Surge Protection Connection Scenarios

The figures below illustrate various lightning and surge protector connectivity scenarios.

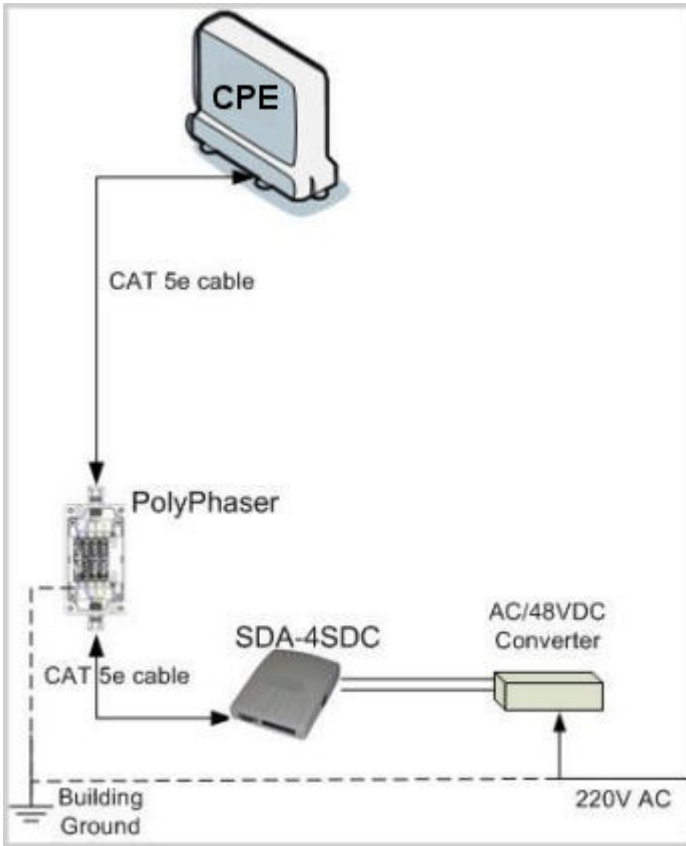
The figure below illustrates the connectivity of the lightning and surge protector using the SDA-1 Type II adapter.



SDA + PolyPhaser + CPE



SDA-4SDC + PolyPhaser + CPE



RSSI LED PLUG ADAPTER

Antenna Alignment using RSSI LED Plug Adapter

The RSSI LED Plug is a small adapter that allows you to accurately position (align) the ProST for optimal radio frequency signal reception with the Base Station. The RSSI LED Plug adapter provides LEDs that indicate the ProST's received signal strength (RSS) with the Base Station.

Once the RSSI LED Plug adapter is connected, you need to orientate the ProST (or third-party external antenna) to the position where the RSSI LEDs display the highest RSS measurements.

The RSSI LED Plug adapter connects between the ProST and SDA by a CAT 5 cable(s). The RSSI LED Plug adapter provides two 15-pin D-type ports: one for the ProST side, and the other for the SDA side.

The RSSI LED Plug adapter can be connected in one of the following manners:

- ▶ One end connects directly to the ProST's 15-pin D-type port, and the other end connects to the SDA (IDU adapters) by a CAT 5 cable.
- ▶ Both ends connect to the ProST and SDA by a CAT 5 cable.

The following describes the RSS LED Plug adapter's cable setup:

- ▶ Cables: two straight-through cables for connecting the RSSI LED adapter to both the SDA and ProST
- ▶ Connectors:
 - ProST side: 15-pin D-type male (only 6 pins used)
 - RSSI LED Plug adapter:
 - ProST side: 15-pin D-type female
 - SDA side: 15-pin D-type male
 - SDA side: 15-pin D-type male

LED Status

The RED Power LED functions as follows:

Status	Description
ON	ProST receiving power from SDA
OFF	No power being received
Blinking	Data transmission via Ethernet LAN


The LED status for each RSSI level is defined in the following table:

RSSI Level dB	LED 0	LED 1	LED 2	LED 3	LED 4	LED 5	LED 6	LED 7
97dB-	0	0	0	0	0	0	0	0
93 - 96	1	0	0	0	0	0	0	0
89 - 92	1	1	0	0	0	0	0	0
83 - 88	1	1	1	0	0	0	0	0
79 - 82	1	1	1	1	0	0	0	0
75 - 78	1	1	1	1	1	0	0	0
71 - 74	1	1	1	1	1	1	0	0
67 - 70	1	1	1	1	1	1	1	0
66 dB+	1	1	1	1	1	1	1	1

Before connecting the power adapter to the ProST, you need to connect the AC power cable (that connects to the subscriber's power outlet) to the adapter, as described in the following procedure.

To connect the RSSI LED Plug Adapter:

1. Connect the 15-pin D-type male connector, at one end of the straight-through cable, to the ProST.
2. Connect the 15-pin D-type female connector, at the other end of the straight-through cable from the ProST, to the RSSI LED adapter.
3. Connect the 15-pin D-type male connector, at one end of the straight-through cable, to the SDA.
4. Connect the 15-pin D-type male connector, at the other end of the straight-through cable from the SDA, to the RSSI LED adapter.

 **Note:** You can connect the RSSI LED Plug adapter's 15-pin male port directly to the ProSt's 15-pin female port, instead of using a cable.

The following diagram illustrates the RSSI LED plug connections:

ProST/ProST-WiFi 15-pin port



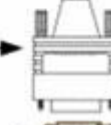
15-pin D-type male connector



Straight-through serial cable



15-pin D-type female connector



RSSI LED Plug adapter



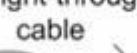
SDA (or AC/DC Adapter)

15-pin D-type male connector

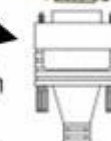


15-pin port

Straight-through cable



15-pin D-type male connector



 **Note:** RSSI response time has been proportionally increased to enable longer alignment.

CONNECTING EXTERNAL ANTENNA

The ProST model without a built-in antenna provides an N-type port for connecting a third-party external antenna. The addition of an external antenna allows greater RF sector coverage than the standard ProST built-in antenna model. The external antenna is typically implemented in scenarios where the ProST is deployed at relatively far distances from the base station.



Warning: Before connecting the external antenna, ensure that the ProST is not connected to the power source.



Warning: Before powering on the ProST, ensure that some type of equipment such as an antenna or an RF attenuator is connected to the N-type receptacle. This eliminates the risk of irreversibly damaging the ProST device.



Warning: It is the responsibility of the person installing the ProST to ensure that only those antennas certified with the product are used. The use of any antenna other than those certified with the product is expressly forbidden.



Warning: The external antenna must **not** be co-located or operating in conjunction with any other antenna or transmitter.



Warning: The ProST and external antenna should be installed **ONLY** by experienced installation professionals who are familiar with the local building and safety codes and are licensed by the appropriate government authorities.



Note: The ProST model that provides an N-type connector for attaching a third-party external antenna does not contain an internal, built-in antenna.



Note: It is recommended that the same antenna polarization (i.e. horizontal or vertical) exists at both ends of the link (i.e. base station and subscriber site).

The following lists the cable setup for attaching the external antenna:

- ▣ **Cable:** RF coaxial
- ▣ **Connector:** N-type male

To connect a third-party external antenna to the ProST:

- ▣ Connect the N-type male connector of the third-party antenna to the N-type receptacle located on the ProST's bottom panel (labeled **ANTENNA**), as displayed below.



TROUBLESHOOTING

The table below provides some possible solutions to problems that may arise if the ProST is incorrectly installed:

Problem	Possible Cause	Solution
SDA-1 (and therefore, ProST) not receiving power -- POWER LED is off	No electricity at wall outlet	Ensure household provides electricity to the specific wall outlet (professional electrician required)
	SDA-1 prongs not plugged entirely into wall outlet socket	Ensure SDA-1 plug prongs are completely inserted into wall outlet
	SDA-1 plug prongs attached incorrectly to SDA-1	Remove the SDA-1 plug prongs and reinsert them, ensuring the following: <ul style="list-style-type: none"> ▶ Prongs are inserted into the SDA-1's prong grooves ▶ Prongs slid to the end ▶ Switch is in LOCK position
	Network cables (radio and LAN) inserted into incorrect RJ-45 ports of the SDA-1	Ensure that the cables are plugged into the correct SDA-1 ports: <ul style="list-style-type: none"> ▶ Port labeled RADIO: for ProST-to-SDA-1 connectivity ▶ Port labeled LAN/PC: for computer-to-SDA-1 connectivity

TRADEMARKS AND COPYRIGHTS

1. © Airspan Networks Inc 2007
2. The information in this document is proprietary to Airspan Networks Inc. This document may not in whole or in part be copied, reproduced, or reduced to any medium without prior consent, in writing, from Airspan Networks Incorporated.
3. This manual is subject to revision.
4. All rights reserved.
5. Right of modification reserved.
6. This manual is supplied without liability for errors or omissions.
7. No part of this manual may be reproduced or used except as authorised by contract or other written permission.
8. This equipment is conditioned by the requirement that no modifications are made to the equipment unless the changes or modifications are expressly approved by Airspan.
9. Prerequisite skills: Personnel installing, commissioning, and maintaining the Airspan products must have a basic knowledge of telephony and radio communications, and have experience in installing, commissioning and maintaining telecommunications products. Airspan provides a range of comprehensive training courses specifically aimed at providing operators/users of Airspan products with the prerequisite skills to install, commission and or maintain the product. The courses are tailored to provide the level of training required by the operator/user.
10. AS.MAX, MacroMAX, MicroMAX, HiperMAX Netspan, EasyST and ProST are brands of Airspan Networks Inc.

CONTACT INFORMATION

UK Office for sales and general enquiries

Airspan Communications Ltd
Cambridge House
Oxford Road
Uxbridge
Middlesex
UB8 1UN

Call +44 (0) 1895 467100

Fax +44 (0) 1895 467101

email sales@airspan.com

Internet: Airspan.com

Customer Service Help-Desk for customer service emergency

Airspan Communications Limited
Cambridge House
Oxford Road
Uxbridge
Middlesex
UB8 1UN

Int. Tel: +44 (0) 1895 467 467

Int. Fax: +44 (0) 1895 467 472

Airspan Networks have introduced the [Airspan Tracker](#) application to enable prompt and efficient Customer Support services.

In order for Airspan to assist you promptly, please quote the Tracker Issue number which was assigned when you registered your initial Tech Support request.

If you do not have a Tracker Issue number, please enter your technical support query on the Airspan web site at <http://tracker.airspan.com/>; this will automatically generate an email to Technical Support if urgent support is required.

Please refer to the user manual for further information:

http://ftp.releases.airspan.com/TrackerManual/Airspan-Issue_Tracker_Manual_V4a.pdf

REVISIONS

Revision Level	Date	Main Changes
A	24-11-2005	Initial Document
B	28-3-2006	Warning Removed Additions
C	23-4-2006	RSSI LED Plug
D	20-06-2006	Standardize document + additions
E	17-06-2006	Corrections
F	21-09-2006	SDA-4SVL & DC, removed PSU, corrections
G	11-02-2007	additional ranges + additions
H	08-2007	additional ranges, polyphaser info
I	12-2007	Ranges

WARNINGS

1. Disclaimer

Every effort has been made to ensure the accuracy of the material provided herein; however, Airspan assumes no responsibility regarding the use of the material. Additionally, Airspan makes no representations or warranties, either expressed or implied, regarding the contents of this product. Airspan Networks Inc. shall not be liable for any misuse regarding this product.

Any product performance limits stated within this document are for information purposes only and should be considered as indicative.

1.1 Safety Warnings

1. Read this User Manual and follow all operating and safety instructions.
2. Keep all product information for future reference.
3. This product is supplied with a grounding power plug. Do not defeat this important safety feature.
4. **Warning:** High voltages exist inside the product - do not remove the lid or base: No user serviceable parts inside.
5. **CAUTION: DOUBLE POLE/NEUTRAL FUSING** - Always replace the fuse with the correct type and current rating.
6. Position the power cord to avoid possible damage; do not overload wall outlets.
7. Do not place this product on or near a direct heat source, and avoid placing objects on the terminal.
8. Do not operate this device near water or in a wet location.
9. Use only a damp cloth for cleaning. Do not use liquid or aerosol cleaners. Disconnect the power before cleaning.
10. Protect the terminal by disconnecting the power if not used for long periods.
11. Mount the terminal in a Telco rack on a stable horizontal surface.
12. The radio antenna units must not be located near power lines or other electrical power circuits.
13. The radio transceiver must be properly grounded to protect against power surges and accumulated static electricity. It is the user's responsibility to install this device in accordance with the local electrical codes: correct installation procedures for grounding of the transceiver unit, mast, lead-in wire and discharge unit, location of discharge unit, size of grounding conductors and connection requirements for grounding electrodes.
14. Installation of the transceiver must be contracted to a professional installer.
15. Disconnect Device. The socket outlet shall be installed near the equipment, easily accessible and will act as the disconnect for the device.
16. When installed in the final configuration, the product must comply with the applicable Safety Standards and regulatory requirements of the country in which it is installed. If necessary, consult with the appropriate regulatory agencies and inspection authorities to ensure compliance.

1.2 Important Warning Symbols

The following symbols may be encountered during installation or troubleshooting. These warning symbols mean danger. Bodily injury may result if you are not aware of the safety hazards involved in working with electrical equipment and radio transmitters. Familiarize yourself with standard safety practices before continuing.



Electro-Magnetic Radiation



High Voltage

1.3 Important Service Information

1. Refer all repairs to qualified service personnel. Do not remove the covers or modify any part of this device, as this will void the warranty.
2. Disconnect the power to this product and return it for service if the following conditions apply:
 - a. The terminal does not function after following the operating instructions outlined in this manual.
 - b. Liquid has been spilled, a foreign object is inside, or the terminal has been exposed to rain.
 - c. The product has been dropped or the housing is damaged.
3. Locate the serial number of the terminal, antenna, and transceiver and record these on your registration card for future reference. Use the space below to affix serial number stickers. Also record the MAC address, located on the back of the terminal.

1.4 UL Information

- The equipment must be properly grounded according with NEC and other local safety code requirements
- Reminder to all the BWA system installers: Attention to Section 820-40 of the NEC which provides guidelines for proper grounding and, in particular, specifies that the cable ground shall be connected to the grounding system of the building, as close to the point of cable entry as is practical.

1.5 CE Notice

The MacroMAX shelf carries the CE mark to demonstrate conformity with the Radio Equipment and Telecommunications Terminal Equipment and the Mutual recognition of their conformity (R&TTE) directive 1999/5/EC.

WARNING: This is a class A product. In a domestic environment this product may cause radio interference in which case the user may be required to take adequate measures.

Installation

The transceiver and antenna equipment must be installed by a qualified professional installer and must be installed in compliance with regional, national, and local regulations. It is the responsibility of the system installer and/or system operator to ensure the installed system does not exceed any operational constraints identified by local regulations.

Refer to the sections in this product User Guide for detailed information about the correct installation steps to ensure power and frequency settings are set correctly before connecting the antenna.

Antenna Selection

Refer to the product User Guide for a list of Airspan Networks approved antennas. Antennas not listed in the User Guide are outside the scope of this Declaration.

CAUTION: European Directive 1999/519/EC details basic restrictions and reference levels on human exposure to electromagnetic fields as advised by the ICNIRP. The directive states that adherence to these recommended restrictions and reference levels should provide a high level of protection as regards the established health effects that may result from exposure to such fields.

By the very nature of the system design and installation users will not find them selves within close proximity of the subscriber terminals.

Standards EN50383 and EN50385 are the applicable harmonised standards for EM fields generated by fixed wireless equipment.

The Electromagnetic fields generated by the Central Terminal antenna are below the recommended safe levels at all distances greater than 65 cm from an approved Airspan antenna.

The safe distance from a non-approved antenna of length D and Sector Angle δ may be calculated using the formula:

Safe distance, $r = 36 / (n * D * \delta)$

1.6 European Community, Switzerland, Norway, Iceland, and Liechtenstein

Declaration of Conformity with Regard to the R&TTE Directive 1999/5/EC

English:

This equipment is in compliance with the essential requirements and other relevant provisions of Directive 1999/5/EC.

Deutsch:

Dieses Gerät entspricht den grundlegenden Anforderungen und den weiteren entsprochenen Vorgaben der Richtlinie 1999/5/EU.

Dansk:

Denne udstyr er i overensstemmelse med de væsentlige krav og andre relevante bestemmelser i Directiv 1999/5/EF.

Español:

Este equipo cumple con los requisitos esenciales así como con otras disposiciones de la Directiva 1999/5/EC.

Ελληνικά:

Αυτό το εξοπλισμός συμμορφώνεται με τις ουσιαστικές απαιτήσεις και τις λοιπές διατάξεις της Οδηγίας 1999/5/EK.

Français:

Cet appareil est conforme aux exigences essentielles et aux autres dispositions pertinentes de la Directive 1999/5/EC.

Íslenska:

Þessi búnaður samrýmist lögboðnum kröfum og öðrum ákvæðum tilskipunar 1999/5/ESB.

Italiano:

Questo apparato é conforme ai requisiti essenziali ed agli altri principi sanciti dalla Direttiva 1999/5/EC.

Nederlands:

Deze apparatuur voldoet aan de belangrijkste eisen en andere voorzieningen van richtlijn 1999/5/EC.

Norsk:

Denne utstyret er i samsvar med de grunnleggende krav og andre relevante bestemmelser i EU-directiv 1999/5/EC.

Português:

Este equipamento satisfaz os requisitos essenciais e outras provisões da Directiva 1999/5/EC.

Suomalainen:

Tämä laite täyttää direktiivin 1999/5/EY oleelliset vaatimukset ja on siinä asetettujen muidenkin ehtojen mukainen.

Svenska:

Denna utrustning är i överensstämmelse med de väsentliga kraven och andra relevanta bestämmelser i Direktiv 1999/5/EC.

The Declaration of Conformity related to this product can be obtained from product_management@Airspan.com

1.7 CAUTION

Any modifications to this device not expressly authorised by the manufacturer could void the user's authority to operate this device.

Responsible party for compliance is:

David Mann, Airspan Networks Inc., Cambridge House, Oxford Rd, Uxbridge, Middlesex, England, UB8 1UN. Telephone (44) 1 895 467450.

1.8 Lightning Protection

WARNING: The following notes are general recommendations for the system. The wireless equipment should be installed by a qualified professional installer and must follow local and national codes for electrical grounding and safety. Failure to meet safety requirements and/or use of non-standard practices and procedures could result in personal injury and damage to equipment. A direct lightning strike may cause serious damage even if these guidelines are followed.

All outdoor wireless equipment is susceptible to lightning damage from a direct hit or induced current from a near strike. Lightning protection and grounding practices in local and national electrical codes serve to minimize equipment damage, service outages, and serious injury. Reasons for lightning damage are summarized as:

- Poorly grounded tower/antenna sites that can conduct high lightning strike energy into equipment.
- Lack of properly installed lightning protection equipment that can cause equipment failures from lightning induced currents.

A lightning protection system provides a means by which the energy may enter earth without passing through and damaging parts of a structure. A lightning protection system does not prevent lightning from striking; it provides a means for controlling it and preventing damage by providing a low resistance path for the discharge of energy to travel safely to ground. Improperly grounded connections are also a source of noise that can cause sensitive equipment to malfunction.

A good tower grounding system disperses most of the surge energy from a tower strike away from the building and equipment. The remaining energy on the RF cable shield and center conductor can be directed safely to ground by using a lightning arrester in series with the RF cable.

To limit the equipment damage due to a lightning strike, the following practices are recommended for the wireless system:

- Provide direct grounding from the antenna mounting bracket, the radio and antenna and the lightning arrestors to the same ground point at the base of the tower or a ground bus on the building. Use the grounding screws on the antenna bracket and the radio and antenna for terminating the ground wires.

- Install one RF lightning protector between the radio and antenna in series with the RF cable.
- A lightning arrestor in series with the RF cable at the point of entry to the building.
- Install a lightning arrestor in series with the IF cable at the transceiver on the tower/mast.
- The AC wall outlet ground for the MacroMAX terminal must be connected to the same grounding system as the radio and antenna lightning protectors.

GLOSSARY

B

BPSK: Binary Phase Shift Keying

BS: Base Station

BWA: Broadband Wireless Access

C

CID: Connection Identifier Number

CPE: Customer Premises Equipment (interchangeable with ST)

D

dB: Decibel

dBm: Power ratio in dB (decibel) of the measured power referenced to one milliwatt

DL: Downlink

F

FDD: Frequency Division Duplex

FEC: Forward Error Correction

FTP: File Transfer Protocol

G

GHz: Gigahertz. One GHz represents 1 billion cycles per second

H

HFDD: Half-Duplex FDD

Hz: Hertz

I

IAD: Integrated Access Device

IDU: Indoor Unit (i.e. SDA-1 Type II, SDA-4S Type II, or SDA-4S/VL Type II)

IP: Internet Protocol

ISP: Internet Service Provider

L

LAN: Local-Area Network

M

MAC: Media Access Controller. The next layer up from the PHY.

Mbit/s: Megabits per second

MHz: Megahertz (one million cycles per second)

MIB: Management Information Base

N

NLOS: Non Line-of-Sight radio propagation path

O

ODU: Outdoor Unit (i.e. ProST)

OFDM: Orthogonal Frequency Division Multiplexing

Q

QAM: Quadrature Amplitude Modulation

QoS: Quality of Service, which is used to specify level of data throughput

QPSK: Quadrature Phase Shift Keying

R

RF: Radio Frequency

Rx: Receive

S

SDA-4S: Convenient term for either the SDA-4S Type II or SDA-4S/VL adapters

SF: Service Flow

SME: Small and Medium-sized Enterprise

SNMP: Simple Network Management Protocol

SNR: Signal-to-Noise Ratio

ST: Subscriber Terminal (interchangeable with CPE or SS)

T

TDMA: Time Division Multiple Access. Technology for delivering digital wireless service using time-division multiplexing (TDM)

TNV: Telecommunications Network Voltage

Tx: Transmit

U

UGS: Unsolicited Grant Service. Used to provide fixed bandwidth slots on the uplink for an ST to transmit data at regular intervals. The bandwidth should be used by the UGS SF, however the final decision of which SF (if any) uses the bandwidth slot is made by the ST.

V

VoIP: Voice over Internet Protocol

W

WiMAX: WiMAX is a wireless industry coalition whose members are organized to advance IEEE 802.16 standards for broadband wireless access (BWA) networks.

INDEX

A

Antenna Alignments	
Orientating when Pole Mounted	23
Orientating when Wal Mounted)	23
Architecture	8

B

Bandwidth Speed	8
Benefits	8
Block Diagram	8
BPSK	8

C

Cabling ProST	
Connecting to AC Power	43
Connecting to DC Power	43
Connecting to External Antenna	59
Connecting to PC	33
Connecting to SDA-1	33
Changing SDA-1 Plug Prongs	43
Components	8
Computer, Connecting to ProST	33

D

Dimensions	
ProST	15
SDA-1	15

F

Features	8
----------------	---

L

LEDs of SDA-1, Descriptions	15
-----------------------------------	----

Lightning Protector

Connecting to ProST	43
---------------------------	----

M

Mounting

Pole Mounting	23
Wall Mounting	23

O

Overview	8
----------------	---

P

Pole Mounting	23
---------------------	----

Ports

ProST Port Description	15
SDA-1 Port Descriptions	15

Power

Changing SDA-1 Plug Prongs	43
Connecting Lightning Protector	43
Connecting to AC Power	43
Connecting to DC Power	43

ProST

Connecting Lightning Protector	43
Connecting to AC Power	43
Connecting to DC Power	43
Connecting to PC	33
Connecting to SDA-1	33
Models	8
Physical Dimensions	15
Pole Mounting	23
Port Description	15
Wall Mounting	23

Protocol Stack	8
----------------------	---

Q

QAM	8
QPSK	8

S

SDA-1

Changing Plug Prongs	43
Connecting to ProST	43
LED Description	15
Physical Dimenisons	15
Port Descriptions	15

T

Theory of Operation	8
Troubleshooting	61

W

Wall Mounting	23
---------------------	----



How to find out
more about
Airspan products
and solutions

For more information about Airspan, its products and solutions, please visit our Web site:

www.airspan.com

Or write to us at one of the addresses below.

We will be delighted to send you additional information on any of our products and their applications around the world.

Airspan has offices in the following countries:

Europe

Czech Republic
Poland
Russia
United Kingdom

Africa

South Africa

Americas

United States

Asia Pacific

Australia
China
Indonesia
Japan
New Zealand



Worldwide Headquarters:
Airspan Networks Inc.
777 Yamato Road, Suite 105
Boca Raton, Florida 33431-4408
USA

Tel: +1 561 893 8670
Fax: +1 561 893 8671

Main Operations:
Airspan Communications Ltd.

Cambridge House, Oxford Road,
Uxbridge, Middlesex UB8 1UN
UK

Tel: +44 (0) 1895 467 100