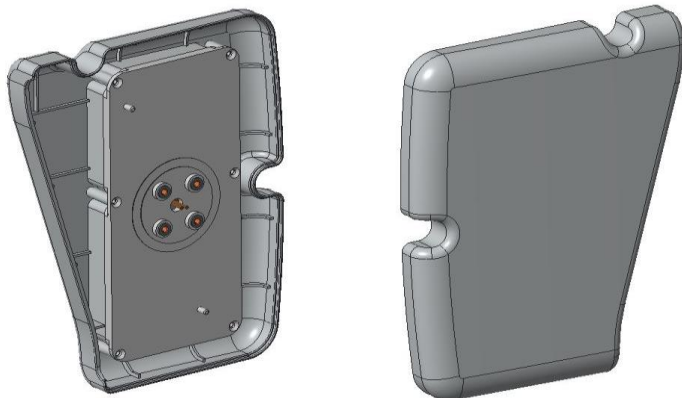


2496 -2690MHz, Sector Antenna, FT

The parameters in this specification follow the definitions and recommendations per NGMN P-Basta, Release 9.6

LTE band	41
Frequency range	2496– 2690 MHz
Average gain to RF connector	9.5 ± 1.0dBi
Azimuth HPBW	72° ± 10°
Elevation HPBW	35° ± 5°
Polarisation discrimination	18 dB
Front to back ratio	≥ 25 dB
Polarisation	Dual Slant ±45°
Electrical Down-tilt	0°
Impedance	50 ohms
First side-lobe level	≤ -15 dB
VSWR	≤ 1.5:1
Isolation between RF Ports	≥ 18 dB
Average transmission power per polarisation	26 dBm
Peak transmission power per polarisation	36 dBm
Recommended maximum dimensions (mm)	TBC
Connector type	2 x MMCX Straight
Cable Type	TBC
Cable Length & Connector Orientation	430mm
Connector to Cable Spec	TBC
Labelling	TBC
DC Grounding	All Antenna ports to be DC grounded



© Alpha Wireless Limited 2014. Last modified October, 03, 2017

Web: www.alphaantennas.com Email: info@alphaantennas.com

* Alpha Wireless are always improving products; specification subject to change without notice.