



AirSpeed 1000A Installation Guide

Part Number: DUG01289

Revision: A12

Published: May 2023

© Copyright by **Airspan Networks Ltd.**, 2023. All rights reserved worldwide.

Legal Notices

The information contained within this document is proprietary, privileged and intended only for the recipient. As such, the information is subject to all relevant copyright, patent and other laws protecting intellectual property, as well as any specific agreements protecting Airspan Networks Ltd. rights in the aforesaid information. Neither this document nor the information contained herein may be published, reproduced, transmitted or disclosed to third parties, in whole or in part, without the express, prior, written permission of Airspan Networks Ltd. In addition, any use of this document or the information contained herein for the purposes other than those for which it is disclosed is strictly forbidden.

Airspan Networks Ltd. reserves the right, without prior notice or liability, to make changes in equipment design or specifications.

Information supplied by Airspan Networks Ltd. is believed in good faith to be accurate and reliable, while every care has been taken in preparing these documents. However, Airspan Networks Ltd. does not make any representations and gives no warranties of whatever nature in respect of these documents, including without limitation, the accuracy or completeness of any information, facts and/or opinions contained therein. No responsibility is assumed by Airspan Networks Ltd. for the use of the documents nor for the rights of third parties which may be effected in any way by the use thereof. The provision of these documents (and the documents themselves) does not constitute professional advice of any kind. Any representation(s) in these documents concerning performance of Airspan Networks Ltd. product(s) are for informational purposes only and are not warranties of future performance, either expressed or implied. Airspan Networks Ltd., its affiliates, directors, employees and agents shall not be held liable for any damages or losses, of any nature whatsoever, arising from any use of and/or reliance on the documents.

These documents may contain flaws, omissions or typesetting errors; no warranty is granted nor liability assumed in relation thereto unless specifically undertaken in Airspan Networks Ltd. sales contract or order confirmation. Information contained herein is periodically updated and changes will be incorporated into subsequent editions. If you have encountered an error, please notify Airspan Networks Ltd.

Product performance figures quoted within this document are indicative and for information purposes only.

Acknowledgements



© Intel Corporation <http://www.intel.com/>



© Microsoft Corporation <http://www.microsoft.com>

Table of Contents

Document Information	2
Abstract	2
Revision History	2
Warnings and Cautions	3
Human Exposure to Radio Frequencies	3
Avertissement et Precautions d'Utilisation	3
Exposition des personnes aux fréquences radioélectriques	3
Radio Interference	3
Modifications	3
General	3
Général	3
⚠ Important Safety Instructions	4
Safety	4
Securite	4
Warning of Hazardous Voltages	5
Attention aux Voltages Hasardeux	5
Adherence to European Directive 2014/53/EU	5
Warning Symbols	5
Service Information	5
UL Information	6
DECLARATION OF CONFORMITY	6
Maximum Output TX Power	8
Product Variants	8
Power Consumption	8
External Antennas	9
About This Document	10
Purpose	10
Intended Audience	10
Document Conventions	10

Related Reading	11
Customer Care Help Desk	12
Airspan Encourages Comments	12
1 Introduction.....	13
1.1 AirSpeed 1000A	13
2 Getting Started	14
2.1 Workflow of Installation	14
2.2 AirSpeed 1000A Installation Checklist.....	14
3 Verifying Prerequisites	15
3.1 Verifying Site Requirements.....	15
3.2 Verify Installation Requirements.....	15
3.2.1 Verify the Tools.....	15
3.2.2 Verify the Parts and Kits	16
3.2.3 Power Supply.....	17
3.2.4 Connections.....	17
3.2.5 Physical Dimensions.....	18
3.2.6 Environmental.....	18
4 AirSpeed 1000A Installation	20
4.1 Connecting the GPS Antenna	20
4.2 Pole Mounting Assembly.....	21
4.2.1 Pole Mounting (Larger Poles).....	21
4.3 Wall Mount Assembly	23
4.4 LED Display	24
5 Connect and Manage Cables	25
5.1 Grounding	25
5.2 Remote Antenna Assembly	25
5.3 Weather-proofing Antenna Connections	25
5.4 Ethernet Cable Installation	26
5.5 Connecting the DC Power Cable	26
A Job Sheet	28
B Checklist.....	29

C Abbreviations.....	30
----------------------	----

Figures

Figure 1: AirSpeed 1000A.....	9
Figure 2: AirSpeed 1000A Front View	13
Figure 3: Workflow	14
Figure 4: AirSpeed 1000A Top Ports	17
Figure 5: AirSpeed 1000A Bottom Ports.....	18
Figure 6: Attaching GPS Antenna.....	20
Figure 7: Pole Mounting Assembly	22
Figure 8: Mounted on Pole.....	22
Figure 9: AirSpeed on Wall	23
Figure 10: Connecting Antenna RF Cable	25
Figure 11: Weather-proof the Connection.....	25
Figure 12: Gland Connected	26
Figure 13: Ethernet Cable through Connector	26
Figure 14: Power Cable Attached	27

Tables

Table 1: AirSpeed 1000A ETSI Maximum Output TX Power	8
Table 2: AirSpeed 1000A FCC Maximum Output TX Power	8
Table 3: Supported Frequency Bands	8
Table 4: Power Consumption.....	8
Table 5: Typographic Conventions	10
Table 6. Minimum Hardware Requirements	15
Table 7. Parts & Kits	16
Table 8. AirSpeed 1000A Physical Dimensions.....	18
Table 9. AirSpeed 1000A Environment Compliance	19
Table 10. AirSpeed 1000A LED Behavior “During Startup”	24
Table 11. Wiring Table.....	26
Table 12: ABBREVIATIONS & DEFINITIONS.....	30

Document Information

Abstract

This document details procedures for installing the Airspan's AirSpeed 1000A Pico-class LTE eNodeB variant.

Revision History

Revision Details	Date	Summary of Changes
Rev 0.1 – 0.2	August 2017	<ul style="list-style-type: none"> Initial document – draft(s) comments
Rev A	August 2017	<ul style="list-style-type: none"> comments Published
Rev A1	January 2019	<ul style="list-style-type: none"> Updates
Rev A2	February 2019	<ul style="list-style-type: none"> Corrections Updates
Rev A3	March 2019	<ul style="list-style-type: none"> Update EU Directive
Rev A4	March 2019	<ul style="list-style-type: none"> Added power cable
Rev A5	March 2019	<ul style="list-style-type: none"> Relabeled antenna ports
Rev A6	June 2019	<ul style="list-style-type: none"> Update product antenna port pictures
Rev A7	December 2019	<ul style="list-style-type: none"> Update power cable data
Rev A8	May 2020	<ul style="list-style-type: none"> Added LED display table
Rev A9	September 2020	<ul style="list-style-type: none"> EiRP update
Rev A10	January 2021	<ul style="list-style-type: none"> WEEE reference - removal
Rev A11	April 2023	<ul style="list-style-type: none"> Safety distance update Antenna Gain correction
Rev A12	May 2023	<ul style="list-style-type: none"> Product name change

Warnings and Cautions

Human Exposure to Radio Frequencies

To comply with FCC RF exposure compliance requirements, the device should be located at a distance of at least 20 cm (7.87 in.) from all persons during normal operation. The antennas used for this product must not be co-located or operated in conjunction with any other antenna or transmitter.

Avertissement et Precautions d'Utilisation

Exposition des personnes aux fréquences radioélectriques

Les AirSpeed 1000A doivent être installée et utilisée de façon à garantir la distance minimale de sécurité de 20 cm (7.87 in.).

Radio Interference

This AirSpeed 1000A generates, uses, and can radiate radio frequency energy and, if not installed and used in accordance with the instructions, may cause harmful interference to radio communications. However, there is no guarantee that interference will not occur in a particular installation. If this equipment does cause harmful interference to radio, television reception or WiFi AP, which can be determined by turning the equipment on and off, the technician is encouraged to try to correct the interference by performing one or more of the following measures:

- Re-orientate or relocate the unit
- Increase separation between the units and/or End Devices
- Connect the equipment to an outlet on a circuit different from that to which the power source is connected

Modifications

Any changes and modifications to this device that are not expressly approved by Airspan Networks may void the user's authority to operate the equipment.

General

- Only qualified personnel should be allowed to install, replace, and service the equipment.
- The device cannot be sold retail, to the general public or by mail order. It must be sold to operators.
- Installation must be controlled.
- Installation must be performed by licensed professionals.
- Installation requires special training. The AirSpeed 1000A should be installed **ONLY** by experienced installation professionals who are familiar with local building and safety codes and, wherever applicable, are licensed by the appropriate government regulatory authorities. Failure to do so may void Airspan's product warranty and may expose the end user or the service provider to legal and financial liabilities.
- Airspan and its resellers or distributors are not liable for injury, damage or violation of regulations associated with the installation of units or antennas.

Général

- Seul le personnel qualifié peut être autorisé pour installer ou remplacer l'équipement ainsi qu'effectuer les opérations de maintenance pour cet équipement.
- L'équipement ne peut pas être vendu en grande distribution ou par commande via email à destination du public. Il doit être vendu aux opérateurs de télécommunications.
- Son installation doit être contrôlée
- Son Installation doit être effectuée par des professionnels autorisés.

- Son installation requiert une formation spécifique du personnel. L'AirSpeed 1000A, radio et antenne doit être installée UNIQUEMENT par des installateurs professionnels expérimentés et ayant une connaissance des constructions locales et règles de sécurité, ainsi que, dès que nécessaire, disposant d'un accord des autorités gouvernementales de régulation. Toute infraction à ces obligations peut annuler la garantie délivrée par Airspan pour ces produits et peut exposer l'utilisateur final ou le fournisseur de services à des dommages légaux et financiers.
- Airspan et ses revendeurs ou ses distributeurs ne sont pas responsables des blessures, dommages ou violations de la réglementation en vigueur liées à l'installation du système ou des antennes.

Important Safety Instructions

- Read and Save these instructions
- This Installation Guide contains instructions and warnings that should be followed during installation, and operation.
- Failure to follow these instructions could cause bodily injury and/or product failure

Safety

1. Read this guide and follow all operating and safety instructions.
2. No user serviceable parts inside.
3. Position the power cord to avoid possible damage; do not overload circuits.
4. Do not place this product on or near a direct heat source and avoid placing objects on the terminal.
5. Use only a damp cloth for cleaning. Do not use liquid or aerosol cleaners. Disconnect the power before cleaning.
6. The units should not be located near power lines or other electrical power circuits.
7. It is the user's responsibility to install this device in accordance with the local electrical codes.
8. Installation of the AirSpeed 1000A must be contracted to a professional installer.
9. The circuit breaker should be easily accessible in case you have to disconnect the device.
10. When installed in the final configuration, the product must comply with the applicable Safety Standards and regulatory requirements of the country in which it is installed. If necessary, consult with the appropriate regulatory agencies and inspection authorities to ensure compliance.

Securite

1. Lire attentivement ce guide et suivre les instructions d'utilisation et de sécurité.
2. Aucune pièce à l'intérieur est d'utilité pour l'utilisateur.
3. Positionner le cordon d'alimentation de façon à éviter des dommages potentiels. Ne pas surcharger les circuits.
4. Ne pas placer ce produit sur ou à proximité d'une source directe de chaleur et éviter de placer des objets sur le terminal.
5. Utiliser uniquement chiffon de coton pour nettoyage. Ne pas utiliser de produits liquides ou d'aérosols. Déconnecter le produit de la source d'alimentation avant nettoyage.
6. L'unité ne doit pas être située trop près de lignes électriques ou autres circuits de puissance, avec lesquels il pourrait entrer en contact.
7. L'utilisateur est tenu responsable de l'installation du produit conformément aux règles électriques en vigueur localement.

8. L'installation de AirSpeed 1000A doit être contractualisée avec un installateur professionnel.
9. L'interrupteur de circuit électrique doit être facilement accessible afin de pouvoir déconnecter l'équipement.
10. Lors de l'installation de la configuration finale, le produit doit être conforme aux Standards de Sécurité en vigueur ainsi qu'aux exigences réglementaires du pays dans lequel il est installé. Si nécessaire, consulter les agences réglementaires appropriées, ainsi que les autorités chargées de l'inspection afin de garantir la conformité.

Warning of Hazardous Voltages

On AC installations, hazardous voltages exist. Use caution when verifying or working with AC power. Remove metal jewellery that could come into contact with AC power.

On DC sections, short-circuiting the low voltage, low impedance circuits can cause severe arcing that may result in burns or eye damage. Remove rings, watches etc. to avoid shorting DC circuits.

Note: Airspan products do not contain hazardous substances (as defined in UK Control of Substances Hazardous to Health Regulations 1989 and the Dangerous Substances Regulations 1990). At the end of any Airspan products life cycle, the customer should consult with Airspan to ensure that the product is disposed of in conformance with the relevant regulatory requirements.

Attention aux Voltages Hasardeux

Sur les installations de réseau électrique de type courant alternatif (CA), des voltages hasardeux peuvent survenir. Garder une Attention particulière lors d'une vérification ou de travaux sur réseau électrique CA. Retirer tous bijoux en métal qui pourraient entrer en contact avec l'alimentation ou le réseau CA.

Sur les portions de réseau électrique de type courant continu (CC), un circuit basse impédance peut causer de sérieux arcs électriques qui pourraient brûler ou endommager les yeux. Retirer bagues, anneaux, montres etc... afin d'éviter les court-circuit sur le réseau CC.

Adherence to European Directive 2014/53/EU

European Council Recommendation 2014/53/EU details basic restrictions and reference levels on human exposure to electromagnetic fields as advised by the ICNIRP. Adherence to these recommended restrictions and reference levels should provide a high level of protection as regards the established health effects that may result from exposure to electromagnetic fields.

Warning Symbols

The following symbols may be encountered during installation or troubleshooting. These warning symbols mean danger. Bodily injury may result if you are not aware of the safety hazards involved in working with electrical equipment and radio transmitters. Familiarize yourself with standard safety practices before continuing.



Caution, hot surface



Caution



Electro-Magnetic
Radiation



DC

Service Information

Refer all repairs to qualified service personnel. Do not modify any part of this device, as this will void the warranty.

Disconnect the power to this product and return it for service if the following conditions apply:

- a. The terminal does not function after following the operating instructions outlined in this manual.

- b. Liquid has been spilled, a foreign object is inside, or the terminal has been exposed to rain.
- c. The product has been dropped or the housing is damaged.

Locate the serial number of the terminal and record this on your registration card for future reference. Also record the MAC address, located on the product sticker.

UL Information

- The electrical source must be properly grounded according with NEC and other local safety code requirements.
- AirSpeed 1000A is designed to operate in environmental conditions complying with IP40 and relevant standards.

DECLARATION OF CONFORMITY

Declaration of Conformity with Regard to the R&TTE Directive 2014/53/EU

Czech:

Airspan tímto prohlašuje, že tento přístroj je ve shodě se základními požadavky a dalšími příslušnými ustanoveními směrnice 2014/53 / EU.

Danish:

Undertegnede, Airspan erklærer hermed, at følgende udstyrsenhed opfylder de væsentlige krav og andre relevante krav i direktiv 2014/53 / EF.

Deutsch:

Hiermit erklärt Airspan, dass die Produkteinheit die grundlegenden Anforderungen und anderen relevanten Bestimmungen der Richtlinie 2014/53 / EU erfüllt.

Estonian:

Käesolevaga kinnitab Airspan, et seadme seade vastab direktiivi 2014/53 / EL olulistele nõuetele ja muudele kõnealuse direktiivi asjakohastele sätetele.

English:

This equipment is in compliance with the essential requirements and other relevant provisions of Directive 2014/53/EU.

Español:

Por medio de este Airspan, declara que la unidad cumple con los requisitos esenciales y cualquier otra disposición aplicable o exigible de la Directiva 2014/53 / UE.

Greek:

ΜΕ ΤΗΝ ΠΑΡΟΥΣΑ ΠΡΟΔΙΑΓΡΑΦΗ, η Airspan ΔΗΛΩΝΕΤΑΙ ότι η μονάδα συμμορφώνεται με τις ουσιώδεις απαιτήσεις και τις λοιπές σχετικές διατάξεις της οδηγίας 2014/53 / ΕΕ.

Français:

Airspan déclare par la présente que l'appareil est conforme aux exigences essentielles et aux autres dispositions pertinentes de la directive 2014/53 / UE.

Italiano:

Con la presente Airspan dichiara che questa unità è conforme ai requisiti essenziali e alle altre disposizioni pertinenti stabilite dalla direttiva 2014/53 / UE.

Latvian:

Ar šo Airspan paziņo, ka vienība atbilst Direktīvas 2014/53 / ES būtiskajām prasībām un citiem attiecīgajiem noteikumiem;

Lithuanian:

Šis „Airspan“ pareiškia, kad šis įrenginys atitinka esminius Direktyvos 2014/53 / ES reikalavimus ir kitas nuostatas.

Nederlands:

Airspan verklaart hierbij dat de apparaateenheid voldoet aan de essentiële vereisten en andere relevante bepalingen van richtlijn 2014/53 / EU.

Maltese:

Hawnhekk, Airspan, tiddikjara li din l-unità tikkonforma mar-rekwiżiti essenzjali u dispożizzjonijiet rilevanti oħra li jinsabu fid-Direttiva 2014/53 / UE.

Hungarian:

Alulírott, az Airspan kijelenti, hogy az egység megfelel a 2014/53 / EU irányelv vonatkozó alapvető követelményeinek és egyéb követelményeinek.

Polish:

Niniejszym Airspan oświadcza, że urządzenie jest zgodne z zasadniczymi wymaganiami i innymi odpowiednimi postanowieniami dyrektywy 2014/53 / UE.

Português:

Airspan declara que esta unidade está em conformidade com os requisitos essenciais e outras disposições da Diretiva 2014/53 / UE.

Slovenian:

Airspan izjavlja, da je ta enota skladna z bistvenimi zahtevami in drugimi ustreznimi določbami Direktive 2014/53 / EU.

Slovak:

Airspan týmto vyhlasuje, že tento prístroj spĺňa základné požiadavky a všetky príslušné ustanovenia Smernice 2014/53 / EU.

Suomalainen:

Airspan vakuuttaa täten, että laitteen tyyppi on direktiivin 2014/53 / EU olennaisten vaatimusten ja muiden asiaankuuluvien säännösten mukainen.

Swedish:

Därmed intygar Airspan att denna enhet överensstämmer med de väsentliga egenskapskraven och andra relevanta bestämmelser som anges i direktiv 2014/53 / EU.

Íslenska:

Airspan lýsir hér með yfir að þessi eining uppfylli grunnkröfur og aðrar kröfur tilskipunar 2014/53 / ESB.

Norsk:

Airspan erklærer herved at utstyrsenheten oppfyller grunnleggende krav og andre relevante krav i direktiv 2014/53 / EU.

Român:

Airspan declarâm pe propria răspundere că produsul produsului respectă cerințele esențiale și alte prevederi aplicabile din Directiva 2014/53 / UE.

The Declaration of Conformity related to this product can be obtained from PLM@Airspan.com.

Maximum Output TX Power

Table 1: AirSpeed 1000A ETSI Maximum Output TX Power

Frequency Band (MHz)	ETSI		Antenna Gain (dBi)	Variant
	TX (dBm)	EIRP (dBm)		
3550-3700	25	48	9	1000

Table 2: AirSpeed 1000A FCC Maximum Output TX Power

Frequency Band (MHz)	FCC		Antenna Gain (dBi)	Variant
	TX (dBm)	EIRP (dBm)		
3550-3700	23.08	48	9	1000

Note: The AirSpeed 1000A requires operation using an Airspan FCC-specific version of Netspan acting as a CBRS Domain Proxy.

Caution: Do not set maximum output TX total power to higher than local regulations.

Product Variants

AirSpeed supports the following frequency bands with the specific performance values:

Table 3: Supported Frequency Bands

LTE Band	Variant	Downlink Freq. (MHz)	Uplink Freq. (MHz)	Duplex	Tx / Rx Conf.	Tx Power per Port (dBm)	Power Source
48, 42H, 43L	AS10-U48-B02D	3550-3700	3550-3700	TDD	2 x 2	25	DC

Power Consumption

Table 4: Power Consumption

Power Source	Nominal Power Consumption (W)	Max Nominal Power Consumption (W)
DC	40	65

Note: Nominal Power Consumption (W) - refers to average power consumption over time.

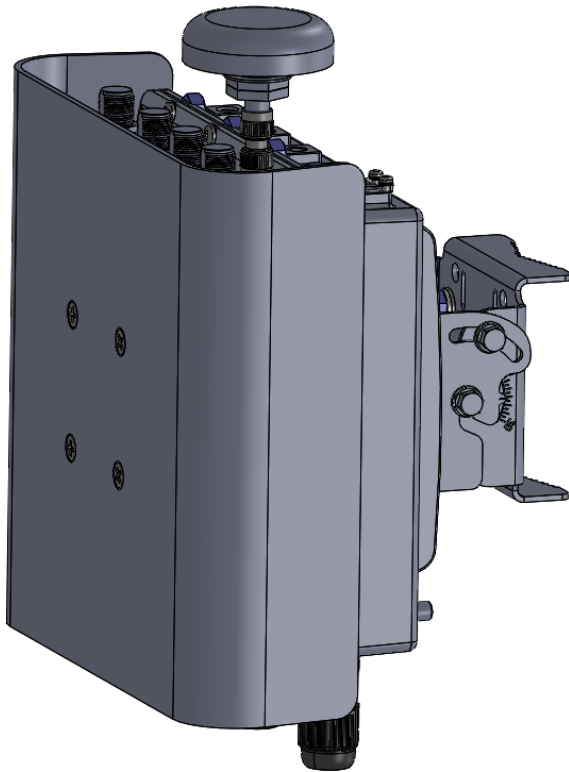
External Antennas

AirSpeed 1000A connects to the external antennas via four (4) N-Type female connectors located at the top panel. The antenna should be mounted to its appropriate mounting facility.

The supported antennas must be dual slant, cross polar, DC grounded antennas.

Note: For a list of compatible external antennas, please contact your nearest Airspan Sales representative.

Figure 1: AirSpeed 1000A



About This Document

Purpose

This guide provides the workflow and step-by-step procedures for installing the Airspan's AirSpeed 1000A, Pico-class LTE eNodeB variant. These procedures include:

- Verify prerequisites
- Install Mounting bracket
- Install the AirSpeed 1000A
- Connect and manage cables

Intended Audience

This guide is intended for persons who are responsible for installing the AirSpeed 1000A equipment.

Document Conventions

This document uses the following typographic conventions.

Table 5: Typographic Conventions

Convention	Element
Blue underlined text	Cross-reference links.
Bold text	Keyboard buttons and GUI elements.
Command	Command names or phrases.
Computer output	Text displayed by the computer.
Hyperlinks	Website and e-mail addresses.
Danger	Signifies a hazardous situation—if not avoided—will cause death or serious injury. Describes how to avoid it.
Warning	Signifies a hazardous situation—if not avoided—can cause death or serious personal injury. Describes how to avoid it.
Caution	Signifies a hazardous situation—if not avoided—can void the product warranty, and cause property damage. Describes how to avoid it.
Important	Provides necessary information to explain a task.
Note	Provides additional information.
Tip	Provides helpful hints.

Related Reading

The following documents contain related information:

- [AirSpeed 1000A Product Datasheet](#)
- [Airspan LTE Commissioning Manual](#)

Customer Care Help Desk

Airspan's *Customer Care Help Desk* offers prompt and efficient customer support services.

Note: To avail Airspan's *Customer Care Help Desk* support, you must be a registered user and must have a valid support contract. To register, click [here](#) and fill the **Registration** form.

To create and update issue logs, send e-mails to [Customer Care Help Desk](#). Once you submit your issue, the system generates a new issue and sends an issue number for your reference. The system uses this issue number to categorize and store e-mails under the appropriate issue.

To help *Customer Care Help Desk* identify your issue, include the issue number and your *Customer Care Helpdesk* account details in all further communications.

Main Operations

Airspan Communications Ltd.
Capital Point
33 Bath Road
Slough, Berkshire
SL1 3UF, United Kingdom
Tel: +44-1895-467-100

Worldwide Headquarters

Airspan Networks Inc.
777, Yamato Road, Suite 105
Boca Raton, FL 3341-4408, USA
Tel: +1 561 893 8670

Airspan Encourages Comments

Airspan welcomes any feedback and suggestions that help to improve the quality of the documentation. Send your feedback to documentfeedback@airspan.com.

1 Introduction

This section provides a descriptive overview of the Airspan's AirSpeed 1000A Pico-class eNodeB variant and its place in the Airspan product suite.

1.1 AirSpeed 1000A

AirSpeed 1000A is part of Airspan's carrier-class LTE Advanced outdoor small cell eNodeB family. AirSpeed 1000A is a Pico-class LTE eNodeB product, providing high-speed data, mobility, Voice over LTE, and broadcast/multicast services.

AirSpeed 1000A is a super compact, easy to install Pico-class eNodeB. Allowing an operator to deploy LTE broadband services on any Street Furniture, rooftop or building front.

AirSpeed 1000A is a dual sector / carrier 2x2 MIMO product.

Note: For management, please refer to the Airspan LTE Commissioning Manual as well as the Netspan User Manual.

Note: The AirSpeed 1000A requires operation using an Airspan FCC-specific version of Netspan acting as a CBRS Domain Proxy.

The AirSpeed 1000A unit is displayed below.

Figure 2: AirSpeed 1000A Front View

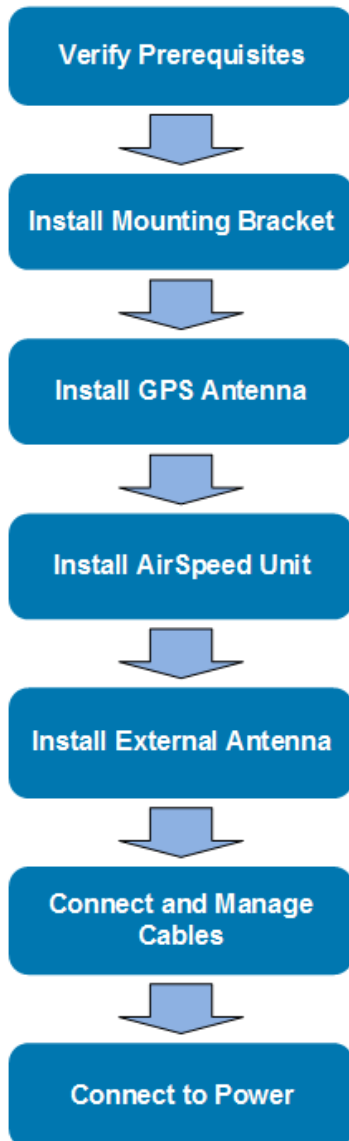


2 Getting Started

2.1 Workflow of Installation

The Workflow to install the AirSpeed 1000A is displayed in the following diagram:

Figure 3: Workflow



2.2 AirSpeed 1000A Installation Checklist

Plan the installation of the AirSpeed 1000A by using the Installation Checklist, which you can find as a removable job aid in [Appendix B](#) for this guide.

3 Verifying Prerequisites

Prior to installing the AirSpeed 1000A, verify the required safety, power, tools, parts and components. This chapter includes the hardware, software, and client requirements for installation.

Important: Set up requirements for the installation is detailed in the **Job Sheet**, see [Appendix A](#).

3.1 Verifying Site Requirements

To set up the AirSpeed 1000A, an IP connection to a Netspan server is required.

3.2 Verify Installation Requirements

3.2.1 Verify the Tools

Table 6. Minimum Hardware Requirements

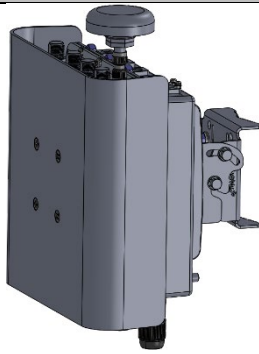




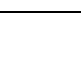

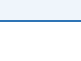

Tool	Use
Large flat bladed screwdriver	securing the pole straps (bands)
13 mm wrench	for securing M8 nuts
10 mm or 13/32 inch wrench	for securing M6 nuts
Large pliers	Tightening cable glands - To fit 15 mm

Note: Airspan does not provide screws and wall anchors for mounting the unit to the wall. The screw size depends on the structure of the building to which the unit is to be attached. When selecting screw sizes, consideration must be given to the weight of the unit and load that may be induced in windy conditions.

3.2.2 Verify the Parts and Kits

Note: Verify order and requirements to ensure the correct unit type is being installed.

Table 7. Parts & Kits

Installation Kit / Part	Product Code	Airspan No.	Consisting of:	Images
AirSpeed 1000A, 3.550-3.700 GHz (B48)	AS10-U48-B02D	998-73-483	AirSpeed 1000A Copper Backhaul, DC Unit	
AirSpeed 1000A Acc. Mounting Kit	TBD	903-03-803	AirSpeed 1000A mounting kit including: <ul style="list-style-type: none"> ▪ 1 - CPE Pole mount Bracket Base ▪ 2 – U-bolt M8 x2 for 1” (33.7mm) to 1.5” (48.3mm) pole ▪ 4 - M8 Hex Nut ▪ 4 – Washer Spring ▪ 4 – Washer M8 ▪ 4 – M6 x 20 Hex head bolt with 2 washers ▪ 2- Maxi Clamps, band 9/16” wide + quick adjustment lock – for 1.8” (45 mm) to 8” (210 mm) pole ▪ GPS antenna 	       
Power Cable Assembly	PWR-10-INST-2	454-0010-225	CBL assy, 48V,10m, EXT, UNTERM, SCRT – 10 meters	

Note: Additional power cable lengths are available, please contact your Airspan sales representative.

3.2.3 Power Supply

AirSpeed 1000A supports direct connection to DC power source:

- Operational Voltage Range: -40.5 to -57 VDC
- Transient Voltage: +150V (ETR283)

Note: AC power feed is also available, using an AC/DC power converter offered by Airspan.

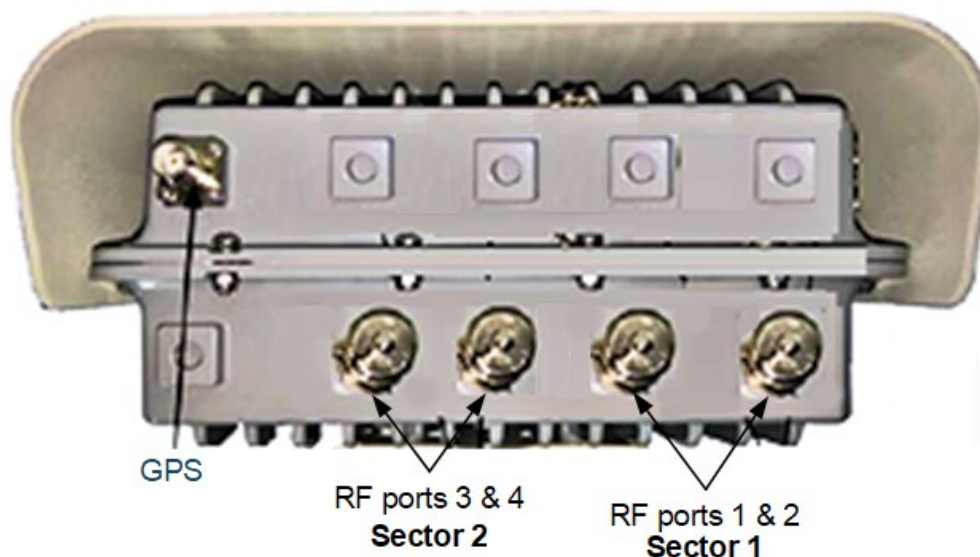
For more details on the offered AC/DC converter (sold separately), please contact your nearest Airspan sales representative.

3.2.4 Connections

The following diagrams display the connections on the top and bottom panels of the AirSpeed 1000A.

Note: The unit requires a secure ground connection and a grounding screw fitted with a flat washer and lock washer is provided on the back and clearly marked with the universal ground symbol.

Figure 4: AirSpeed 1000A Top Ports

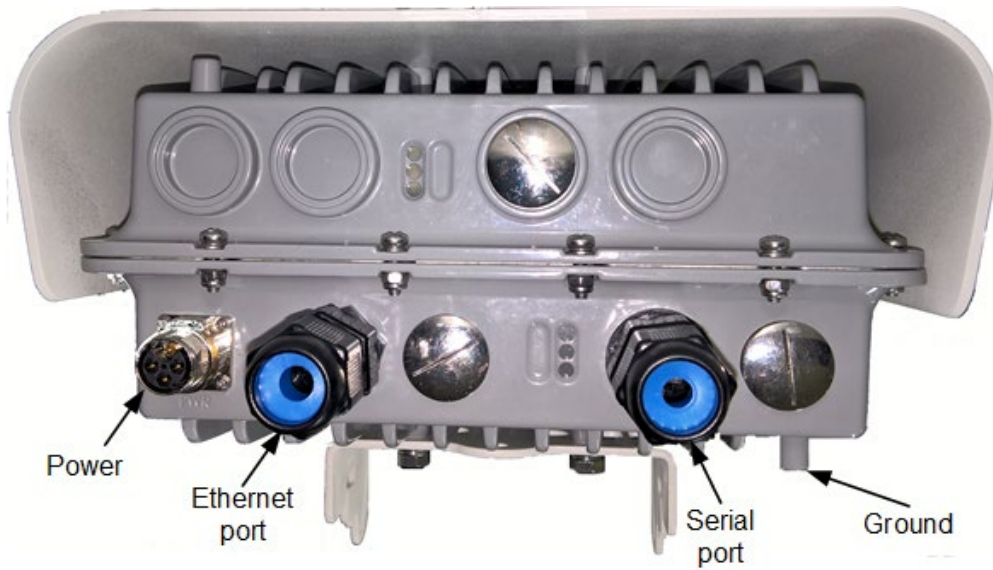


Note: RF ports 1 & 2 are specified as Sector 1. RF ports 3 & 4 are specified as Sector 2

Note: When utilizing only a single sector, Sector 1 should be used (ports 1 & 2) and the other ports (3 & 4) should be closed with the provided caps.

Note: In some previous AirSpeed 1000A units the RF ports are marked differently. The current description, (shown above) is the accurate connection method.

Figure 5: AirSpeed 1000A Bottom Ports



Note: When the Serial port is not in use it should be sealed with a cap or plug to keep it secured.

3.2.5 Physical Dimensions

AirSpeed 1000A is an outdoor enclosure.

Table 8. AirSpeed 1000A Physical Dimensions

Variant	Dimensions (H x W x D)	Comment
AirSpeed 1000A	220 x 220 x 150 mm / 9 x 9 x 6 in.	The dimensions exclude connectors and protruding screws
Weight		
Main Unit	4 Kg / 8.8 Lbs.	
Mounting Bracket (Bracket Base)	1 Kg. / 2.2 Lbs.	

3.2.6 Environmental

Note: AirSpeed 1000A is not meant to be used in a Marine environment.

AirSpeed 1000A meets the following environmental requirements:

- IEC 60529
- IEC 60068
- ETSI EN 300-019-2-4 Operational (non-weather protected equipment)
- ETSI EN 300-019-2-1 Storage (weather protected, not temperature controlled locations)
- ETSI EN 300-019-2-2 Transportation (Public Transportation)
- GR-63, Issue 4

Table 9. AirSpeed 1000A Environment Compliance

Type	Details
Operating temperature	-40°C to 55°C / -40°F to 131°F
Operating humidity	5% - 100% non-condensing
Storage temperature	-40°C to 70° C / -40°F to 158°F
Storage humidity	5% - 100% non-condensing
Rain and Dust Ingress protection	IP66

4 AirSpeed 1000A Installation

AirSpeed 1000A offers two optional methods for outdoor mounting using the included mounting kit, either:

- Pole Mounting
- Wall mounting

The AirSpeed 1000A Mounting Kit - includes a pole/wall mounting bracket for fastening the unit to a pole or on a wall. Prior to installation of the AirSpeed unit the mounting bracket must first be affixed in place on either the pole or a wall.

Caution: Proper local rigging and hoisting practices should be followed when installing the AirSpeed 1000A.

Note: In the event no external GPS antenna is required (i.e. – when used for 1588 clock sync), leave the metal sealed cap in place and weather-proof the antenna connection. This is done with a layer of self-amalgamating tape followed by an over layer of PVC tape. See [Weather-proofing Antenna Connections](#).

4.1 Connecting the GPS Antenna

The following describes the connection of the GPS antenna which is installed directly to the top of the unit.

1. Unscrew the protective metal sealed cap from the GPS antenna jack prior to mounting the GPS on the AirSpeed-1000 unit.
2. Align the GPS jack with the plug attached to the top panel on the unit.
3. Attach the GPS antenna to the TNC connector on the unit.

Figure 6: Attaching GPS Antenna



Caution: Take care not to over tighten so as not to damage the threads.

Note: It is good practice to weather-proof all the antenna connections. This is done with a layer of self-amalgamating tape followed by an over layer of PVC tape. See [Weather-proofing Antenna Connections](#).

4.2 Pole Mounting Assembly

Caution: Mount the AirSpeed 1000A unit in an orientation such that its Ethernet port (located on the bottom) face downwards. This prevents rain water from settling on the port, and thereby, avoiding damage to the unit such as corrosion and electrical short-circuiting.

The following describes the pole mounting procedure:

1. Select the location on the pole to mount the AirSpeed 1000A mounting bracket.

Note: You can attach the unit to any pole from 1 inch to 1.5 inch (33.7 to 48.3 mm) in diameter.

2. Assemble the 2 SEMS screws (M8 x 20) into the lower threaded holes on the mounting (base) bracket, do not tighten.
3. Position the mounting bracket onto the pole at the required height using the provided U-bolts (for 1 in. / 33.7 mm to 1.5 in. / 48.3 mm) pole and tighten in place.
4. Carefully align and position the unit so that the screws (1 on each side) fit into the notched grooves provided on the back bracket (pre-assembled on the unit) and hand tighten. Insert the M8 screws, washers and nuts (supplied) and fasten the back bracket (pre-assembled on the unit) to the mounting bracket.
5. Adjust the unit so that the GPS is positioned upright. Check and tighten all fixing screws.

4.2.1 Pole Mounting (Larger Poles)

Note: For larger 1.8 inch (45 mm) to 8 inch (210 mm) poles.

1. Select the location on the pole to mount the AirSpeed 1000A mounting bracket.
2. Assemble the 2 SEMS screws (M8 x 20) into the lower threaded holes on the mounting (base) bracket, do not tighten.
3. Position the mounting bracket onto the pole at the required height.
4. Insert the clamp bands (supplied) by passing them through the upper and lower slots in the bracket, in two (2) places.
5. Tighten the clamp bands with a large screw driver.
6. Continue with Steps 4 & 5 as shown above.

Figure 7: Pole Mounting Assembly

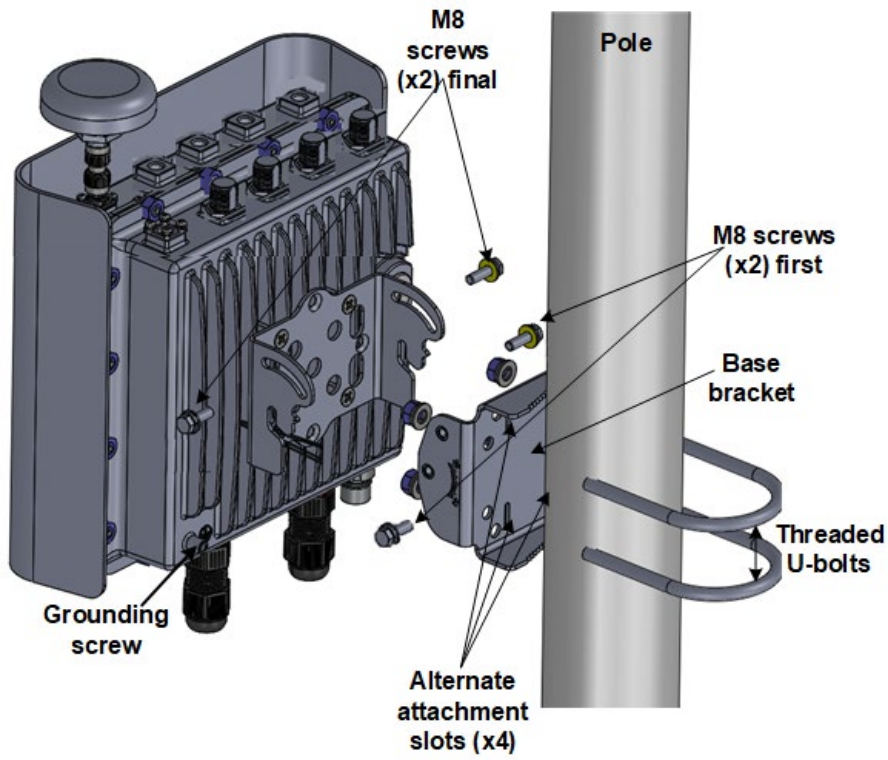
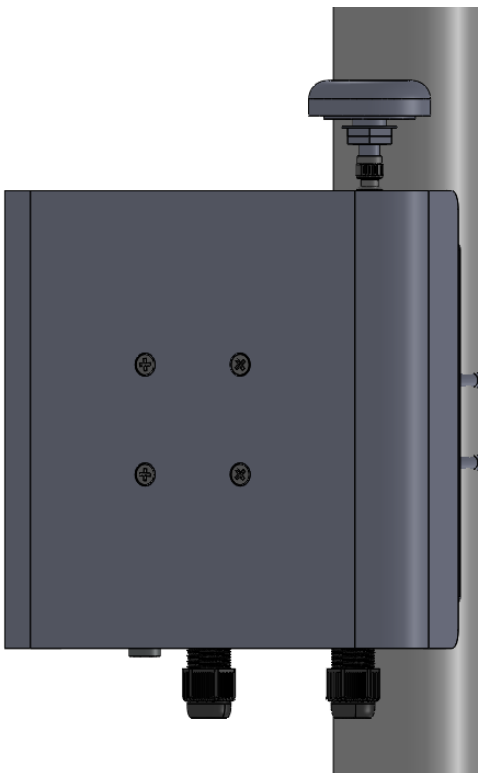


Figure 8: Mounted on Pole



4.3 Wall Mount Assembly

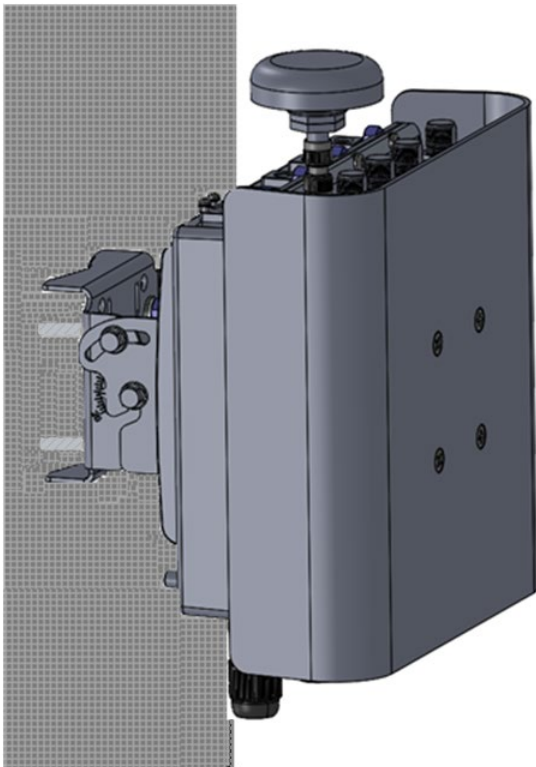
The following describes the wall mounting procedure:

1. Select the location on the wall to mount the AirSpeed 1000A mounting bracket.
2. Assemble the 2 SEMS screws (M8 x 20) into the lower threaded holes on the mounting (base) bracket, do not tighten.
3. Position the mounting (base) bracket onto the wall at the required height and mark where to drill the holes.
4. Insert screws and appropriate wall anchors (not provided) and tighten in place.

Note: Wall plugs (x4) and necessary hardware are **not** supplied by Airspan and are the responsibility of the installer. Use appropriate wall plugs according to field conditions.

5. Carefully align and position the unit so that the screws (1 on each side) fit into the notched grooves provided on the back bracket (pre-assembled on the unit) and hand tighten. Insert the M8 screws, washers and nuts (supplied) and fasten the back bracket (pre-assembled on the unit) to the mounting bracket.
6. Adjust the unit so that the GPS is positioned upright. Check and tighten all fixing screws.

Figure 9: AirSpeed on Wall



4.4 LED Display

The LEDs on the panel on the bottom of the unit, provides unit status indication.

When powering up refer to the following table for indication of current status:


Table 10. AirSpeed 1000A LED Behavior “During Startup”

State Name	Color	Status	Description
Powering Up	Orange	On Continuously	Till the SW starts loading
Software loading	Green	Blinking (3Hz)	While SW is loading
Normal Operation for delay time (1min)	Green	On Continuously	Normal operation (no alarm)
Normal Operation after delay time (1min)	-	Off	Normal operation (no alarm)
Sector OOS / Alarm on	-	Off	

5 Connect and Manage Cables

This section describes grounding procedure, cable preparation and connections and external antenna assembly.

5.1 Grounding

The AirSpeed 1000A requires a secure ground connection and a grounding screw fitted with a flat washer and lock washer is provided on the back and clearly marked with the universal ground symbol .

The cable should be grounded and bonded according to international or local standards.

5.2 Remote Antenna Assembly

The AirSpeed 1000A unit is used with remotely attached antennas.

For installation of the remotely mounted antennas follow the antenna manufacturer's instructions and connect the antenna to the AirSpeed 1000A using the appropriate cables. (Weather-proofed N-type Heliax RF cables (ordered separately).

1. Attach, connect and secure the RF cable between the external antenna and the appropriate RF connection on the top of the unit.

Figure 10: Connecting Antenna RF Cable



Caution: Do not over-tighten the RF connector. RF failures can result when the RF connector is over-tightened.

5.3 Weather-proofing Antenna Connections

Weather-proofing of the antenna connections is recommended. This is done with a layer of self-amalgamating tape followed by an over layer of PVC tape.

Figure 11: Weather-proof the Connection



Verify the RF connector is completely weather-sealed.

5.4 Ethernet Cable Installation

Before connecting to the appropriate port you can manage and store any excess cable by winding it up and fasten it securely. This takes up any excess slack and presents a more thorough and orderly installation.

The following demonstrates the recommended assembly instructions, hardware and tool requirements for the proper Ethernet cable assembly of the Ethernet Category 5e (enhanced) (CAT5e) cable used by Airspan products.

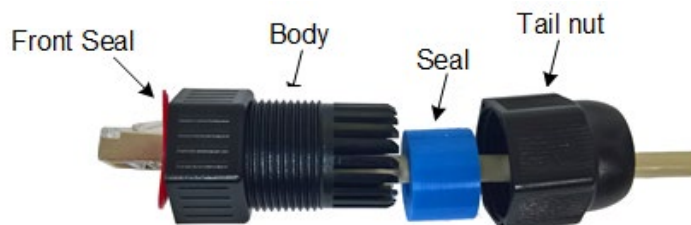
The Ethernet cable is connected using a standard RJ45 connector protected by a harsh environment protective casing.

Figure 12: Gland Connected



1. Remove the Gland connector by unscrewing the body from the unit stand-off.
2. Pass the prepared Ethernet cable through the tail nut, seal, body and front seal of the connector casing as shown below. Do not tighten the tail nut.

Figure 13: Ethernet Cable through Connector



3. Seat (click) the RJ45 connector plug securely into the AirSpeed 1000A.
4. Tighten the Gland body into to the stand-off on unit.
5. Tighten the tail nut on to the body, forcing the seal to compress around the cable.

Once the connector is properly installed, the cable should be positioned and secured to minimize stress on the cable.

5.5 Connecting the DC Power Cable

Table 11. Wiring Table

Pin No.	Wire Color	Function
1	Black	Return
2	White	48V-

1. Plan the position of the DC power cable run from the AirSpeed 1000A unit to the power supply. The DC power cable is offered in various lengths, to fit different deployments.
2. Uncoil the cable and secure the connector to the connector on the bottom panel of the AirSpeed 1000A unit.

Note: When securing the cable make sure there is no tension on the connector so that it is easy to disconnect and re-connect for future maintenance actions.

3. Position the pins correctly, the connector is secured to the unit with a locking ring that is screwed into place. Use firm hand pressure only, the connector has a built in sealing ring.

Caution: The internal plastic parts of the mating connector are keyed. Take care to align these by visual inspection or by gently rotating the connector body until the key way sections align and the pins go in before tightening the locking ring.

Figure 14: Power Cable Attached



A Job Sheet

This job sheet enables the users to keep track of their installation. It covers all the prerequisites required for accomplishing the AirSpeed 1000A installation.

Site Requirements
<ul style="list-style-type: none">○ Position on Pole / Wall○ Access restrictions (local regulations) (when applicable)○ Method of reaching pole or wall positions (ladders, Elevated work platform)○ Configuration programming details known○ Point of connection for Ethernet (if applicable)○ All equipment items available at the installation site<ul style="list-style-type: none">○ AirSpeed 1000A unit○ Mounting bracket○ Ethernet cable assembly
Tool Requirements (For further information, see Verify the Tools.)
<ul style="list-style-type: none">○ Large flat bladed screw driver○ 13 mm wrench○ 10 mm or 13/32 inch wrench○ Large pliers○ Hammer (to insert and set the wall plugs)
Required Ancillary Equipment
<ul style="list-style-type: none">○ Laptop PC for initial configuration○ Ethernet cable for temporary connection of the lap top

B Checklist

During installation, review and perform all the steps on this checklist (in the given order). This checklist is meant for the person who performs the AirSpeed 1000A installation.

Tip: To make sure you complete all the tasks, detach or print this checklist and use it as a job aid. After performing, check off each task.

Procedure	Action	Check If Performed
Verify the prerequisites	Verify the site requirements.	<input type="checkbox"/>
	Verify the installation requirements.	<input type="checkbox"/>
	Verify the tool requirements.	<input type="checkbox"/>
	Verify the parts & kits required.	<input type="checkbox"/>
AirSpeed 1000A installation	Install the mounting bracket (base)	<input type="checkbox"/>
	Install AirSpeed 1000A on the mounting bracket (as required).	<input type="checkbox"/>
Connect & manage Cables	Connect to Ethernet (if applicable)	<input type="checkbox"/>
Connect power system	Connect power	<input type="checkbox"/>

C Abbreviations

Table 12: ABBREVIATIONS & DEFINITIONS

Term	Expansion
3GPP	3rd Generation Partnership Project, responsible for LTE
AWGN	Additive White Gaussian Noise is a channel model in which the only impairment to communication is a linear addition of white noise with a constant spectral density and a Gaussian distribution of amplitude.
BER	Bit Error Rate
dB	Decibel. A logarithmic unit used to describe a ratio (such as power ratio in radio telecommunications)
dBm	An abbreviation for the power ratio in decibels (dB) of the measured power referenced to one milliwatt (mW). It is used as a convenient measure of absolute power because of its capability to express both very large and very small values in a short form
eNodeB	Evolved Node B, is the element in E-UTRAN of LTE
ESP	Encapsulating Security Payloads (ESP) provide confidentiality, data-origin authentication, connectionless integrity, an anti-replay service (a form of partial sequence integrity), and limited traffic-flow confidentiality
E-UTRAN	Evolved Universal Terrestrial Radio Access Network, is the air interface of 3GPP's Long Term Evolution
FDD	Frequency-Division Duplexing. A transceiver mode where the transmitter and receiver operate at different carrier frequencies
GNSS	Global Navigation Satellite System is a term used to describe a satellite navigation system with global coverage. There are currently two fully operational GNSSs – the US GPS and the Russian GLONASS.
HPBW	Half Power Beam Width is the angular separation in an antenna, in which the magnitude of the radiation pattern decreases by 50% (or -3 dB) from the peak of the main beam
IPSec	Internet Protocol Security is a protocol suite for securing Internet Protocol (IP) communications by authenticating and encrypting each IP packet of a communication session
LED	Light Emitting Diode
LTE	Long Term Evolution
MAC	Medium Access Controller – responsible for several functions such Scheduling, Packet (De)Multiplexing, etc...
MME	Mobility Management Entity is the key control-node for the LTE access-network. It is responsible, among other things for idle mode UE tracking and paging procedure including retransmissions

Term	Expansion
MTBF	Mean Time Between Failures
NL	Network Listening
OFDMA	Orthogonal Frequency-Division Multiple Access (OFDMA) is a multiple access version of OFDM digital modulation scheme, used for eNodeB transmissions to UEs
PDU	Protocol Data Unit
PTP	Precision Time Protocol is used to synchronize clocks throughout a network. In this document, PTP is referring to IEEE1588-2008 protocol
ROHS	Restriction Of Hazardous Substances
S-GW	Serving Gateway. A Core entity in the LTE EPC architecture responsible for routing and forwarding user data packets, while also acting as the mobility anchor for the user plane during inter-eNodeB handovers and as the anchor for mobility between LTE and other 3GPP technologies
SC-FDMA	Single-Carrier FDMA is a frequency-division multiple access scheme, dealing with the assignment of multiple users to a shared communication resource. Used in LTE for UE transmissions to the eNodeB
SDR	Software Defined Radio
TDD	Time-Division Duplexing. A transceiver mode where the transmitter and receiver operate on the same carrier frequency
UE	User Equipment. The end user in LTE
