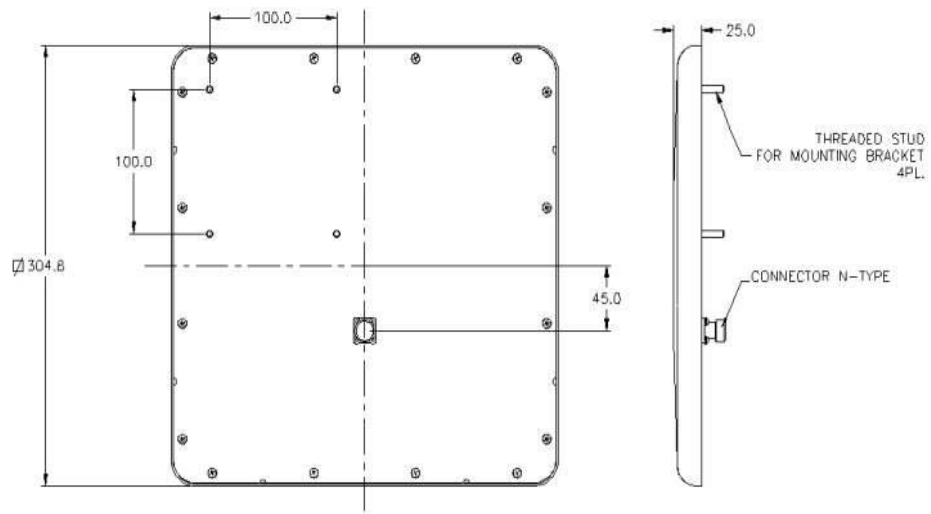


## 902-928 MHz SUBSCRIBER ANTENNA

MTI PART NUMBER		MT 262001/N		
<b>ELECTRICAL</b>				
FREQUENCY RANGE	902 - 928 MHz			
GAIN	10 dBi (min)			
VSWR	1.5:1 (max)			
3 dB BEAMWIDTH	Azimuth: 65 (typ)			
(related to vertical polarization)	Elevation: 55 (typ)			
POLARIZATION	Linear (Vertical or Horizontal)			
SIDELOBES LEVEL	-18dB (max) @ +/-90			
CROSS POLARIZATION	-14dB (max)			
F/B RATIO	-20dB (max)			
INPUT IMPEDANCE	50 (ohm)			
INPUT POWER	6W (max)			
LIGHTNING PROTECTION	Non			
<b>MECHANICAL</b>				
DIMENSIONS (LxWxD)	305X305X25 mm (max)			
WEIGHT	1.5 kg (max)			
CONNECTOR	N-Type Female			
RADOME	Plastic			
BASE PLATE	Aluminum with chemical conversion coating			
MOUNTING KIT	MT-120018			
<b>ENVIRONMENTAL</b>				
<b>TEST</b>	<b>STANDARD</b>	<b>DURATION</b>	<b>TEMPERATURE</b>	<b>NOTES</b>
LOW TEMPERATURE	IEC 68-2-1	72 h	-55 C	-
HIGH TEMPERATURE	IEC 68-2-2	72 h	+71 C	-
TEMP. CYCLING	IEC 68-2-14	1 h	-45C +70 C	3 Cycles
VIBRATION	IEC 60721 -3-4	30 min/axis	-	Random 4M3
SHOCK MECHANICAL	IEC 60721 -3-4	-	-	4M3
HUMIDITY	ETSI EN300-2-4 T4.1E	144 h	-	95%
WATER TIGHTNESS	IEC 529	-	-	IP67
SOLAR RADIATION	ASTM G53	1000 h	-	-
FLAMMABILITY	UL 94	-	-	CLASS HB
SALT SPRAY	IEC 68-2-11 Ka	500 h	-	-
ICE AND SNOW	-	-	-	25mm Radial
WIND SPEED SURVIVAL OPERATION	-	-	-	220 Km/h 160 Km/h
WIND LOAD (SURVIVAL):				
FRONT THRUST	-	-	-	26.8 kg
SIDE THRUST	-	-	-	2.2 kg



MT-262001/N