



Technical Note

## **WipLL 900 MHz**

Wireless IP-Based Local Loop System

# **External Antenna Specifications**

Connecting the World with Wireless Access Solutions

Revision Record: External Antenna Specifications		
Pub/ Rev	Date	Update Description
01	Nov-03	Airspan. Author: InterDoc
Publication No. 18110311-01		

© Copyright by **Airspan Networks LTD.**, 2003. All rights reserved worldwide.

The information contained in this document is proprietary and is subject to all relevant copyright, patent and other laws protecting intellectual property, as well as any specific agreement protecting **Airspan Networks LTD.** rights in the aforesaid information. Neither this document nor the information contained herein may be published, reproduced or disclosed to third parties, in whole or in part, without the express, prior, written permission of **Airspan Networks LTD.** In addition, any use of this document or the information contained herein for any purposes other than those for which it was disclosed is strictly forbidden.

**Airspan Networks LTD.** reserves the right, without prior notice or liability, to make changes in equipment design or specifications.

Information supplied by **Airspan Networks LTD.** is believed to be accurate and reliable. However, no responsibility is assumed by **Airspan Networks LTD.** for the use thereof nor for the rights of third parties which may be effected in any way by the use thereof.

Any representation(s) in this document concerning performance of **Airspan Networks LTD.** product(s) are for informational purposes only and are not warranties of future performance, either express or implied. **Airspan Networks LTD.** standard limited warranty, stated in its sales contract or order confirmation form, is the only warranty offered by **Airspan Networks LTD.** in relation thereto.

This document may contain flaws, omissions or typesetting errors; no warranty is granted nor liability assumed in relation thereto unless specifically undertaken in **Airspan Networks LTD.** sales contract or order confirmation. Information contained herein is periodically updated and changes will be incorporated into subsequent editions. If you have encountered an error, please notify **Airspan Networks LTD.** All specifications are subject to change without prior notice.

# Contents

<b>1. Introduction .....</b>	<b>4</b>
<b>2. BSR External Antennas .....</b>	<b>4</b>
2.1. Sector Antenna .....	5
2.2. Sector Antenna Dual Polarization .....	7
2.3. Omnidirectional Antenna .....	9
<b>3. IDR External Antennas.....</b>	<b>10</b>
3.1. 10 dBi Panel .....	11
3.2. 6.5 dBi Panel .....	12

## 1. Introduction

The WipLL BSR and IDR devices operating in the 900 MHz band, provide N-type receptacles for connecting external antennas. The BSR provides two N-type receptacles (for antenna diversity), and the IDR provides one TNC-type receptacle.

This document lists the specifications of these external antennas intended for the BSR and IDR devices.

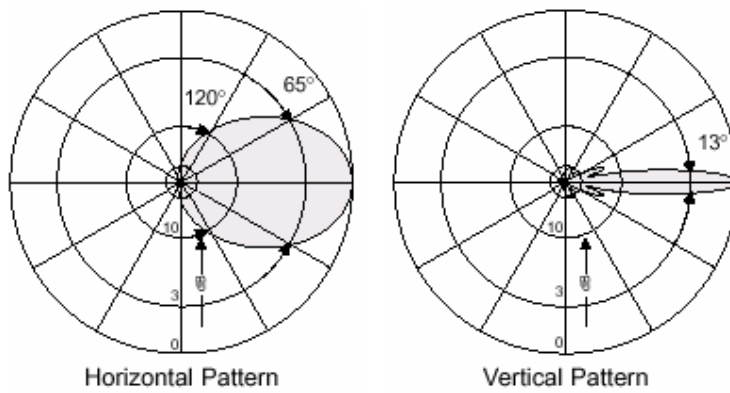
## 2. BSR External Antennas

Airspan provides the following external antennas for BSR devices operating in the 900 MHz band:

- Sector antenna
- Dual Polarization Sector antenna
- Omnidirectional antenna

## 2.1. Sector Antenna

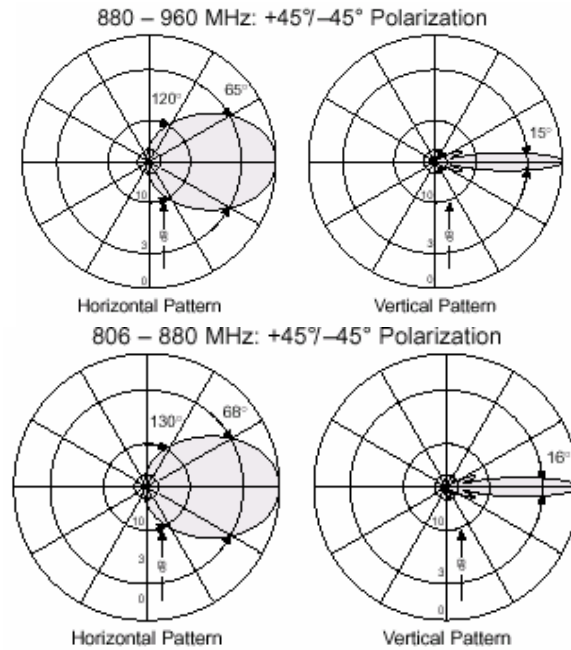
This antenna is designed for best non-line of sight performance with Airspan's BSR operating in the 900 MHz band. Advanced features include: high gain and mechanical downtilt.



<b>Electrical specifications</b>	
<b>Frequency range</b>	870 –960 MHz
<b>Polarization</b>	Vertical
<b>Gain</b>	15.5 dBi
<b>Half-power beam width</b>	<ul style="list-style-type: none"> <li>• H-plane:65°</li> <li>• E-plane:13°</li> </ul>
<b>Front-to-back ratio</b>	>25 dB
<b>Impedance</b>	50 .
<b>VSWR</b>	<1.3
<b>Intermodulation IM3 (2 x 43 dBm carrier)</b>	<-150 dBc
<b>Max.power</b>	500 W (at 50 °C ambient temperature)
<b>Mechanical specifications</b>	
<b>Input</b>	7-16 female
<b>Connector position</b>	Bottom
<b>Weight</b>	6 kg
<b>Wind load</b>	<ul style="list-style-type: none"> <li>• Frontal: 220 N (at 150 km/h)</li> <li>• Lateral: 140 N (at 150 km/h)</li> <li>• Rearside: 490 N (at 150 km/h)</li> </ul>
<b>Max.wind velocity</b>	200 km/h
<b>Packing size</b>	1422 x 272 x 160 mm
<b>Height/width/depth</b>	1294 /258 /103 mm

## 2.2. Sector Antenna Dual Polarization

This antenna is designed for best non-line of sight performance with Airspan's BSR operating in the 900 MHz band. Advanced features include: high gain and mechanical downtilt.



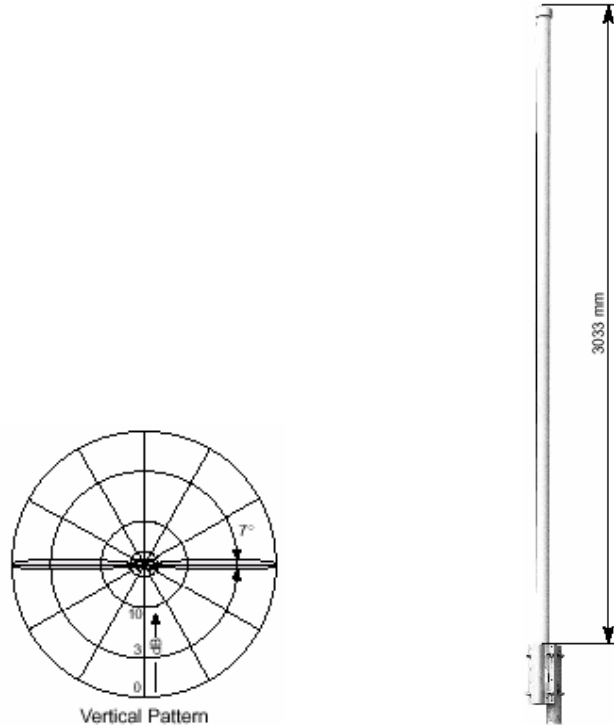
<b>Electrical specifications</b>		
<b>Frequency range</b>	<b>806 –880 MHz</b>	<b>880 –960 MHz</b>
<b>Polarization</b>	+45°, –45°	+45°, –45°
<b>Gain</b>	2 x 15 dBi	2 x 15.5 dBi
<b>Half-power beam width Copolars +45°/ –45°</b>	<ul style="list-style-type: none"> <li>• Horizontal: 68°</li> <li>• Vertical: 16°</li> </ul>	<ul style="list-style-type: none"> <li>• Horizontal: 65°</li> <li>• Vertical: 15°</li> </ul>
<b>Front-to-back ratio, copolar</b>	>30 dB	
<b>Isolation</b>	>30 dB	
<b>Impedance</b>	50Ω	
<b>VSWR</b>	<1.4	
<b>Intermodulation IM3 (2 x 43 dBm carrier)</b>	<-150 dBc	
<b>Max. power per input</b>	600 W (at 50 °C ambient temperature)	
<b>Mechanical specifications</b>		
<b>Input</b>	2 x 7-16 female	
<b>Connector position*</b>	Bottom or top	
<b>Weight</b>	10 kg	
<b>Wind load</b>	<ul style="list-style-type: none"> <li>• Frontal:230 N (at 150 km/h)</li> <li>• Lateral:130 N (at 150 km/h)</li> <li>• Rearside:500 N (at 150 km/h)</li> </ul>	
<b>Max. wind velocity</b>	200 km/h	
<b>Packing size</b>	1422 x 287 x 165 mm	
<b>Height/width/depth</b>	1296 /262 /116 mm	

\* Inverted mounting: connector position top. Change drain hole screw



## 2.3. Omnidirectional Antenna

This antenna is designed for best non-line of sight performance with Airspan's BSR operating in the 900 MHz band.



Electrical specifications		
Frequency range	870 – 960 MHz	
Polarization	Vertical	
Gain	11 dBi	
Impedance	50Ω	
VSWR	<1.5	
Intermodulation IM3 (2 x 43 dBm carrier)	<-150 dBc	
Max. power	500W (at 50 °C ambient temperature)	
Mechanical specifications		
Model Type	736 347	736 348
Input	7-16 female	7-16 female
Connector position	Bottom	Top
Weight	8 kg	
Radome diameter	51 mm	
Wind load	210 N (at 150 km/h)	
Max.wind velocity	200 km/h	
Packing size	3316 x 148 x 112 mm	
Height/width/depth	3033 mm	3022 mm

### 3. IDR External Antennas

Airspan provides one of the following external antennas for the IDR device operating in the 900 MHz band:

- 10 dBi Panel antenna
- 65 dBi Panel antenna

### 3.1. 10 dBi Panel

Electrical				
Frequency range	902 - 928 MHz			
Gain	10 dBi (min)			
VSWR	1.5:1 (max)			
3 dB Beamwidth (related to vertical polarization)	<ul style="list-style-type: none"> <li>• Azimuth: 65 (typ)</li> <li>• Elevation: 55 (typ)</li> </ul>			
Polarization	Linear (Vertical or Horizontal)			
Sidelobes level	-18dB (max) @ +/-90			
Cross polarization	-14dB (max)			
F/B ratio	-20dB (max)			
Input impedance	50 (ohm)			
Input power	6W (max)			
Lightning protection	Non			
Mechanical				
Dimensions (LxWxD)	305x305x25 mm (max)			
Weight	1.5 kg (max)			
Connector	N-Type Female			
Radome	Plastic			
Base plate	Aluminum with chemical conversion coating			
Mounting kit	MT-120018			
Environmental				
Test	Standard	Duration	Temperature	Notes
Low temperature	IEC 68-2-1	72 h	-55°C	-
High temperature	IEC 68-2-2	72 h	+71°C	-
Temp. cycling	IEC 68-2-14	1 h	-45°C +70°C	3 Cycles
Vibration	IEC 60721-3-4	30 min/axis	-	Random 4M3
Shock mechanical	IEC 60721-3-4	-	-	4M3
Humidity	ETSI EN300-2-4 T4.1E	144 h	-	95%
Water tightness	IEC 529	-	-	IP67
Solar radiation	ASTM G53	1000 h	-	-
Flammability	UL 94	-	-	CLASS HB
Salt spray	IEC 68-2-11 Ka	500 h	-	-
Ice and snow	-	-	-	25mm radial
Wind speed survival Operation	-	-	-	220 Km/h 160 Km/h
Wind load (survival): • Front thrust • Side thrust	-	-	-	• 26.8 kg • 2.2 kg

### 3.2. 6.5 dBi Panel

Electrical				
Frequency range	902-928 MHz			
Gain	6.5 dBi (min)			
VSWR	1.5:1 (max)			
3 dB Beamwidth	<ul style="list-style-type: none"> <li>• Azimuth</li> <li>• Elevation</li> </ul>			
	<ul style="list-style-type: none"> <li>• 80° (typ)</li> <li>• 80° (typ)</li> </ul>			
polarization	Linear (Vertical or Horizontal)			
Cross polarization	-14dB (max)			
F/B ratio	-11dB (max)			
Input impedance	50 (ohm)			
Input power	6W (max)			
Lightning protection	NON			
Mechanical				
Dimensions (LxWxD)	190x190x30 mm (max)			
Weight	0.7kg (max)			
Connector	N-Type Female			
Radome	Plastic			
Base plate	Aluminum with chemical conversion coating			
Outline drawing	RD41245600C			
Mounting kit	MT-120018/A			
Environmental				
Test	Standard	Duration	Temperture	Notes
Low temperature	IEC 68-2-1	72 h	-55°C	-
High temperature	IEC 68-2-2	72 h	+71°C	-
Temp. cycling	IEC 68-2-14	1 h	-45°C +70°C	3 Cycles
Vibration	IEC 60721-3-4	30 min/axis	-	Random 4M3
Shock mechanical	IEC 60721-3-4	-	-	4M3
Humidity	ETSI EN300-2-4 T4.1E	144 h	-	95%
Water tightness	IEC 529	-	-	IP67
Solar radiation	ASTM G53	1000 h	-	-
Flammability	UL 94	-	-	Class HB
Salt spray	IEC 68-2-11 Ka	500 h	-	-
Ice and snow	-	-	-	25mm radial
Wind speed survival	-	-	-	220 Km/h
Operation	-	-	-	160 Km/h
Wind load (survival):	-	-	-	<ul style="list-style-type: none"> <li>• 10 kg</li> <li>• 1.6 kg</li> </ul>
• Front thrust				
• Side thrust				