

Notes:

- 1) Polarity Indicator
- 2) Model Number of Product
- 3) Revision of Product
- 4) FCC ID approval
- 5) IC approval
- 6) Japan approval (MIC)
- 7) Serial Number

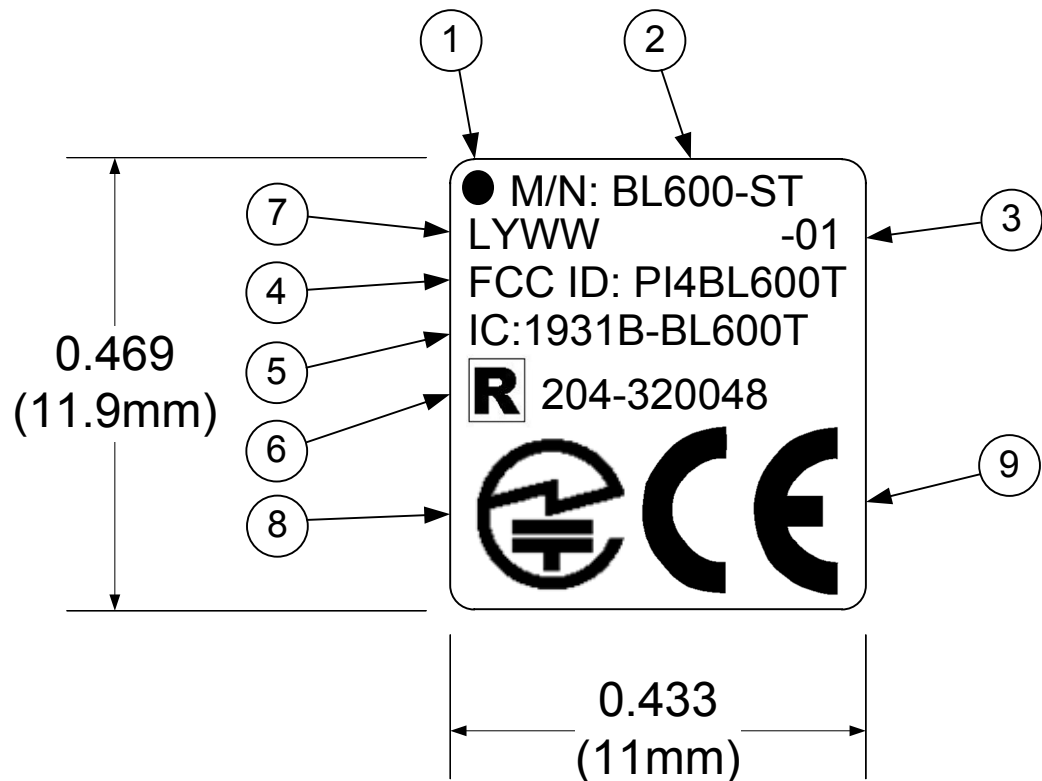
- L = Location of manufacture
- Y = Year of manufacture
- WW = Week of manufacture


(see Laird Date Code Procedure 0010-00083)

- 8) MIC Logo
- 9) CE Logo

Base Material (Blank Label Material Specification)

Material: Polyimide
 (Must withstand 260 degree's C)
 Color: Glossy White
 Text: Black
 Corners: Max radius acceptable
 0.0625" (1.58mm)



All Dimension in Inches unless otherwise shown. Tolerance;					
.X +/- 0.1 .XX +/- 0.01 .XXX +/- 0.005 Angle +/- 1 deg.					
Title			BL600-ST-01 Label Drawing		
Dwg. No.		2100-00114	Rev		1
Drawn by	drk	Date	3-21-13	Sheet	1/1