



Engineering and Testing for EMC and Safety Compliance

## CERTIFICATION APPLICATION TEST REPORT

### UHF FM MOBILE TRANSCEIVER

MODEL: DR-435TMkIII  
FCC ID: PH3DR-435TMK3  
IC: 3070C-DR435MK3

Alinco Incorporated  
Electronics Division  
Shin-Dai Building 9F  
2-6, 1-Chome, Dojimahama, Kita-ku  
Osaka 530-0004 Japan

March 14, 2006

Standards Referenced for this Report	
Part 2: 2004	Frequency Allocations and Radio Treaty Matters; General Rules and Regulations
Part 15.121: 2004	Radio Frequency Devices; Scanning Receivers and Frequency Converters Used with Scanning Receivers
ANSI C63.4-2003	Standard Format Measurement/Technical Report Personal Computer and Peripherals
RSS-215; Issue 1 (Provisional)	Analogue Scanner Receivers

Frequency Range (MHz)	Output Power (W)	Frequency Tolerance	Emission Designator
350.0-511.995	N/A	N/A	N/A

#### REPORT PREPARED BY:

Test Engineer: Daniel Baltzell  
Administrative Writer: Daniel Baltzell

Rhein Tech Laboratories, Inc.

Document Number: 2006016

*This report may not be reproduced, except in full, without the full written approval of Rhein Tech Laboratories, Inc.  
The test results relate only to the item tested.*

---

## Table of Contents

---

1	General Information.....	4
1.1	Modifications.....	4
1.2	Related Submittal(s)/Grant(s).....	4
1.3	Test Methodology.....	4
1.4	Test Facility.....	4
2	Conformance Statement.....	5
3	System Test Configuration.....	6
3.1	Justification.....	6
3.2	Exercising the EUT.....	6
3.3	Test System Details.....	6
3.4	Configuration of Tested System.....	7
4	AC Conducted Emissions - FCC Rules and Regulations Part 15 §15.107(b): Conducted Limits.....	8
4.1	Site and Test Description.....	8
4.2	Test Limits.....	8
4.3	Conducted Emissions Test Data.....	9
5	Radiated Emissions – FCC Rules and Regulations Part 15 §15.109(a): Radiated Emissions Limits; RSS-215 Section 7 - Receiver Spurious Emissions.....	10
5.1	Test Methodology for Radiated Emissions Measurements.....	10
5.2	Radiated Emissions Test Data.....	11
6	FCC Rules and Regulations Part 15 §15.121(b) - 38 dB Rejection Test.....	12
6.1	38 dB Rejection Test Data for Base Band (869.040-893.970 MHz).....	13
6.2	38dB Rejection Test Data for Mobile Band (824.040-848.970 MHz).....	13
7	Conclusion.....	14

## Table Index

Table 3-1:	Equipment Under Test (EUT).....	6
Table 3-2:	Support Equipment Used in Testing.....	6
Table 4-1:	Conducted Emissions Test Data – Mode RX, Neutral Side Line 1, 445 MHz .....	9
Table 4-2:	Conducted Emissions Test Data – Mode RX, Hot Side Line 2, 445 MHz .....	9
Table 4-3:	Equipment Used for Testing.....	9
Table 5-1:	Radiated Emissions – Mode RX.....	11
Table 5-2:	Equipment Used for Testing.....	11
Table 6-1:	38 dB Rejection {Frequency Injected: 869.040 MHz} (Cellular Band).....	13
Table 6-2:	38 dB Rejection {Frequency Injected: 881.500 MHz} (Cellular Band).....	13
Table 6-3:	38 dB Rejection {Frequency Injected: 893.970 MHz} (Cellular Band).....	13
Table 6-4:	38 dB Rejection {Frequency Injected: 824.040 MHz} (Mobile Band).....	13
Table 6-5:	38 dB Rejection {Frequency Injected: 836.500 MHz} (Mobile Band).....	13
Table 6-6:	38 dB Rejection {Frequency Injected: 848.970 MHz} (Mobile Band).....	13
Table 6-7:	Equipment Used for Testing.....	14

## Appendix Index

Appendix A:	Agency Authorization Letter .....	15
Appendix B:	Confidentiality Request Letter .....	16
Appendix C:	IC Agent and Listing Requirements Letters.....	17
Appendix D:	FCC Attestation Letter.....	18
Appendix E:	RSS-215 Attestation Letter.....	19
Appendix F:	Label & Location Information.....	20
Appendix G:	Product Description.....	22
Appendix H:	Block Diagram.....	23
Appendix I:	Schematics.....	24
Appendix J:	Manual .....	25
Appendix K:	Test Configuration Pictures .....	26
Appendix L:	External Photographs.....	28
Appendix M:	Internal Photographs.....	32

## Photograph Index

Photograph 1:	FCC/IC ID Label Sample .....	21
Photograph 2:	FCC ID/IC ID Label Location and Warning Label Location on End of EUT .....	21
Photograph 3:	Radiated Emissions Test Configuration (Front View) .....	26
Photograph 4:	Radiated Emissions Test Configuration (Rear View).....	27
Photograph 5:	Front of EUT .....	28
Photograph 6:	Top of EUT .....	29
Photograph 7:	Back of EUT .....	30
Photograph 8:	Bottom of EUT .....	30
Photograph 9:	Left Side .....	31
Photograph 10:	Right Side.....	31
Photograph 11:	Inside Chassis .....	32
Photograph 12:	PCB in Unit – Top View .....	33
Photograph 13:	PCB - Top View .....	34
Photograph 14:	PCB – Top View with Shield Removed.....	35
Photograph 15:	PCB - Bottom View.....	36
Photograph 16:	LCD PCB – Front View.....	37
Photograph 17:	LCD PCB with LCD Removed .....	37
Photograph 18:	LCD PCB – Back View .....	38

## **1 General Information**

The following application for FCC Certification of an analog scanning receiver is prepared on behalf of Alinco Incorporated; Electronics Division, in accordance with FCC Rules and Regulations Parts 2 and 15 and Industry Canada RSS-215. The Equipment Under Test (EUT) is Model DR-435TMkIII, FCC ID: PH3DR-435TMK3. The test results reported in this document relate only to the item that was tested.

All measurements contained in this application were conducted in accordance with ANSI C63.4 Methods of Measurement of Radio Noise Emissions, 2003. The instrumentation utilized for the measurements conforms to the ANSI C63.4 standard for EMI and Field Strength Instrumentation. Some accessories are used to increase sensitivity and prevent overloading of the measuring instrument. Calibration checks are performed regularly on the instruments, and all accessories including the high pass filter, preamplifier and cables.

### **1.1 Modifications**

No modifications were made during testing.

### **1.2 Related Submittal(s)/Grant(s)**

This is an original certification application.

### **1.3 Test Methodology**

Radiated testing was performed according to the procedures in ANSI C63.4 2003. Radiated testing was performed at an antenna-to-EUT distance of 3 meters.

### **1.4 Test Facility**

The open area test site and conducted measurement facility used to collect the radiated data is located on the parking lot of Rhein Tech Laboratories, 360 Herndon Parkway, Suite 1400, Herndon, Virginia 20170. This site has been fully described in a report, submitted to, and approved by the Federal Communications Commission; to perform AC line conducted and radiated emissions testing (ANSI C63.4 2003).

## 2 Conformance Statement

Standards Referenced for this Report	
<b>Part 2: 2004</b>	Frequency Allocations and Radio Treaty Matters; General Rules and Regulations
<b>Part 15.121: 2004</b>	Radio Frequency Devices; Scanning Receivers and Frequency Converters Used with Scanning Receivers
<b>ANSI C63.4-2003</b>	Standard Format Measurement/Technical Report Personal Computer and Peripherals
<b>RSS-215; Issue 1 (Provisional)</b>	Analogue Scanner Receivers

Frequency Range (MHz)	Output Power (W)	Frequency Tolerance	Emission Designator
350.0-511.995	N/A	N/A	N/A

I, the undersigned, hereby declare that the equipment tested and referenced in this report conforms to the identified standard(s) as described above. No modifications were made to the equipment during testing in order to achieve compliance with these standards.

Furthermore, there was no deviation from, additions to, or exclusions from the ANSI C63.4 test methodology.

Signature:



Date: March 14, 2006

Typed/Printed Name: Desmond A. Fraser

Position: President  
 (NVLAP Signatory)

 Accredited by the National Voluntary Accreditation Program for the specific scope of accreditation under Lab Code 20061-0.

**Note: This report may not be used by the client to claim product endorsement by NVLAP or any agency of the U.S. Government.**

### 3 System Test Configuration

#### 3.1 Justification

To complete the test configuration required by the FCC, the receiver was connected to an external antenna, which receives a signal from a signal generator output. With the antenna installed, the receiver indicator was used to determine optimal reception. The EUT's intermediate frequencies (IF), local oscillators (LO), crystal oscillators and harmonics of each were investigated. Conducted emissions were measured from the AC port of the charger. All modes were investigated and tested, including standby mode and scanning mode. The final radiated data was taken with the EUT locked to a set frequency.

#### 3.2 Exercising the EUT

The DR-435TMkIII is a receiver designed to function at the following frequency range: 350–511.995 MHz. The following frequencies were tested: 360, 445 and 508 MHz. In order to activate the receiver circuitry, a signal was transmitted from a signal generator. This allowed the EUT to function in its typical state throughout the course of all testing.

#### 3.3 Test System Details

The test sample was received on February 23, 2006. The FCC Identifiers for all equipment, plus descriptions of all cables used in the tested system, are shown in the table that follows.

**Table 3-1: Equipment Under Test (EUT)**

Part	Manufacturer	Model	Serial Number	FCC ID	Cable Description	RTL Bar Code
UHF FM Mobile Transceiver	Alinco	DR-435TMkIII	M000491	PH3DR-435TMK3	N/A	17086
UHF FM Mobile Transceiver	Alinco	DR-435TMkIII	M000490	PH3DR-435TMK3	N/A	17082
Microphone	Alinco	EMS-57	M0013195	N/A	Shielded I/O	17088
Microphone	Alinco	EMS-53	M0007358	N/A	Shielded I/O	17087

**Table 3-2: Support Equipment Used in Testing**

Part	Manufacturer	Model	Serial Number	FCC ID	Cable Description	RTL Bar Code
DC Power Supply	GE	PSS-3203	N/A	N/A	1.2m unshielded power	2679

### 3.4 Configuration of Tested System

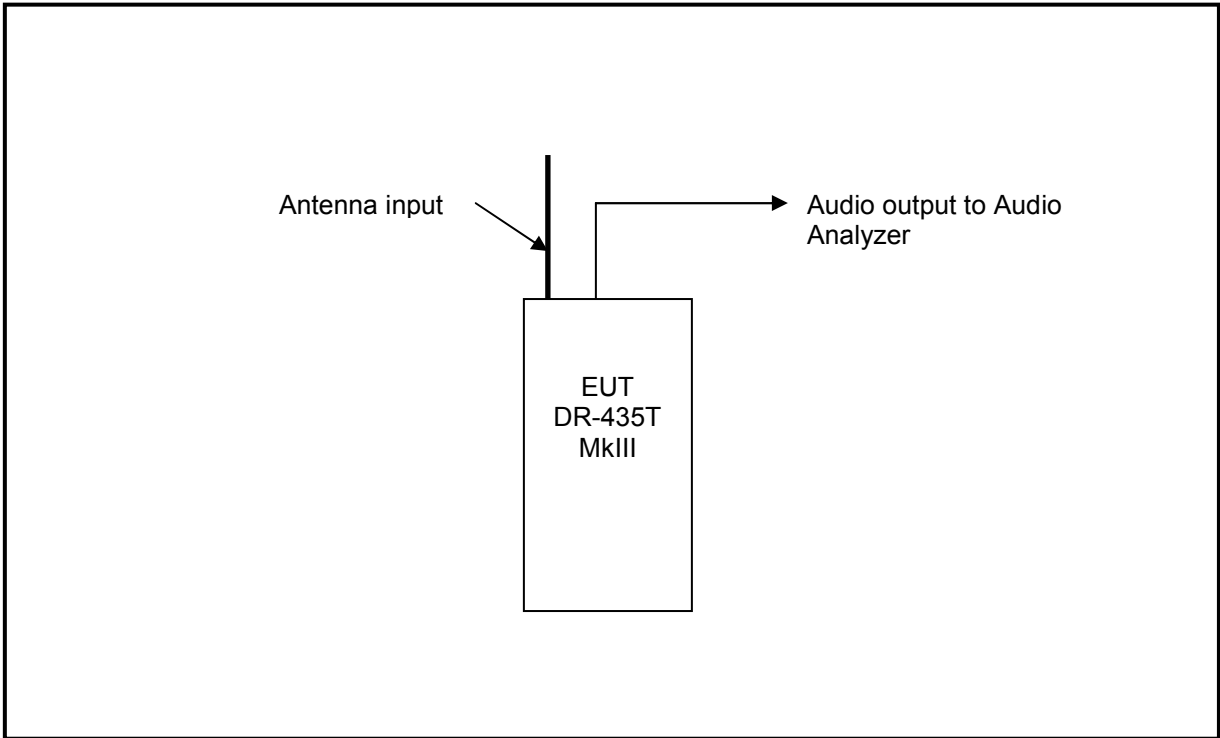


Figure 3-1: Test System Configuration

## 4 AC Conducted Emissions - FCC Rules and Regulations Part 15 §15.107(b): Conducted Limits

### 4.1 Site and Test Description

The power line conducted emission measurements were performed in a Series 81 type shielded enclosure manufactured by Rayproof. The EUT was assembled on a wooden table 80 centimeters high. Power was fed to the EUT through a 50-ohm/50 microhenry Line Impedance Stabilization Network (LISN). The EUT LISN was fed power through an A.C. filter box on the outside of the shielded enclosure. The filter box and EUT LISN housing are bonded to the ground plane of the shielded enclosure. A second LISN, the peripheral LISN, provides isolation for the EUT test peripherals. This peripheral LISN was also fed A.C. power. A metal power outlet box, which is bonded to the ground plane and electrically connected to the peripheral LISN, powers the EUT host peripherals.

The spectrum analyzer was connected to the A.C. line through an isolation transformer. The 50-ohm output of the EUT LISN was connected to the spectrum analyzer input through a Solar 100 kHz high-pass filter. The filter is used to prevent overload of the spectrum analyzer from noise below 100 kHz. Conducted emission levels were measured on each current-carrying line with the spectrum analyzer operating in the CISPR quasi-peak mode (or peak mode if applicable).

The analyzer's 6 dB bandwidth was set to 9 kHz. Video filter less than 10 times the resolution bandwidth is not used. Average measurements are performed in linear mode using a 10 kHz resolution bandwidth, a 1 Hz video bandwidth, by increasing the sweep time in order to obtain a calibrated measurement. The emission spectrum was scanned from 150 kHz to 30 MHz. The highest emission amplitudes relative to the appropriate limits were measured and have been recorded.

Conducted measurements at telecommunications ports (if applicable) were performed per EN55022: 1998. The limits for Class A and Class B are contained therein.

### 4.2 Test Limits

Class A Line-Conducted Emissions		
Frequency (MHz)	Limit (dBµV)	
	Quasi-Peak	Average
0.15 to 0.50	79	66
0.50 to 30.0	73	60

Class B Line-Conducted Emissions		
Frequency (MHz)	Limit (dBµV)	
	Quasi-Peak	Average
0.15 to 0.50	66 to 56	56 to 46
0.50 to 5.00	56	46
5.00 to 30.00	60	50



### 4.3 Conducted Emissions Test Data

**Table 4-1: Conducted Emissions Test Data – Mode RX, Neutral Side Line 1, 445 MHz**

Temperature: 75°F Humidity: 36%									
Emission Frequency (MHz)	Test Detector	Analyzer Reading (dBuV)	Site Correction Factor (dB)	Emission Level (dBuV)	FCC B QP Limit (dBuV)	FCC B QP Margin (dBuV)	FCC B AV Limit (dBuV)	FCC B AV Margin (dBuV)	Pass/Fail
0.170	Pk	24.0	0.2	24.2	65.0	-40.8	55.0	-30.8	0.170
0.197	Pk	21.4	0.2	21.6	63.7	-42.1	53.7	-32.1	0.197
0.283	Pk	20.9	0.2	21.1	60.7	-39.6	50.7	-29.6	0.283
0.561	Pk	18.4	0.2	18.6	56.0	-37.4	46.0	-27.4	0.561
14.770	Pk	24.0	2.1	26.1	60.0	-33.9	50.0	-23.9	14.770
18.440	Pk	20.3	2.4	22.7	60.0	-37.3	50.0	-27.3	18.440

**Table 4-2: Conducted Emissions Test Data – Mode RX, Hot Side Line 2, 445 MHz**

Temperature: 75°F Humidity: 36%									
Emission Frequency (MHz)	Test Detector	Analyzer Reading (dBuV)	Site Correction Factor (dB)	Emission Level (dBuV)	FCC B QP Limit (dBuV)	FCC B QP Margin (dBuV)	FCC B AV Limit (dBuV)	FCC B AV Margin (dBuV)	Pass/Fail
0.207	Pk	21.3	0.2	21.5	63.3	-41.8	53.3	-31.8	0.207
0.615	Pk	18.8	0.3	19.1	56.0	-36.9	46.0	-26.9	0.615
3.680	Pk	22.3	1.0	23.3	56.0	-32.7	46.0	-22.7	3.680
14.800	Pk	22.7	2.1	24.8	60.0	-35.2	50.0	-25.2	14.800
18.490	Pk	22.5	2.4	24.9	60.0	-35.1	50.0	-25.1	18.490
28.070	Pk	22.1	2.3	24.4	60.0	-35.6	50.0	-25.6	28.070

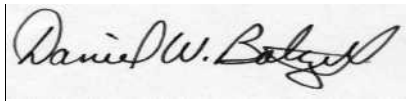
**Table 4-3: Equipment Used for Testing**

RTL Asset #	Manufacturer	Model	Part Type	Serial Number	Calibration Date
900969	Hewlett Packard	85650A	Quasi-Peak Adapter (30 Hz – 40 GHz)	2412A00414	08/3/06
900931	Hewlett Packard	8566B	Spectrum Analyzer (100 Hz – 22 GHz)	3138A07771	08/3/06
900930	Hewlett Packard	85662A	Spectrum Analyzer Display	3144A20839	08/3/06
901083	AFJ	LS16	16A LISN	16010020082	3/24/06

Test Personnel:

Typed Name: Daniel Baltzell

Signature:



Date: February 14, 2006

## **5 Radiated Emissions – FCC Rules and Regulations Part 15 §15.109(a): Radiated Emissions Limits; RSS-215 Section 7 - Receiver Spurious Emissions**

### **5.1 Test Methodology for Radiated Emissions Measurements**

Before final measurements of radiated emissions were made on the open-field three/ten meter range, the EUT was scanned indoors at one meter and three meter distances, in order to determine its emissions spectrum signature. The physical arrangement of the test system and associated cabling was varied in order to determine the effect on the EUT's emissions in amplitude, direction, and frequency. This process was repeated during final radiated emissions measurements on the open-field range, at each frequency, in order to ensure that maximum emission amplitudes were attained.

Final radiated emissions measurements were made on the three meter, open-field test site. The EUT was placed on a nonconductive turntable approximately 0.8 meters above the ground plane. The spectrum was examined from 30 MHz to 1000 MHz using a spectrum analyzer, a quasi-peak adapter, and EMCO log periodic and biconical antenna. In order to gain sensitivity, a preamplifier was connected in series between the antenna and the input of the spectrum analyzer.

At each frequency, the EUT was rotated 360 degrees, and the antenna was raised and lowered from one to four meters in order to determine the maximum emission levels. Measurements were taken using both horizontal and vertical antenna polarizations. The spectrum analyzer's 6 dB bandwidth was set to 120 kHz, and the analyzer was operated in the CISPR quasi-peak detection mode. No video filter less than 10 times the resolution bandwidth was used. The second harmonic of the highest LO was tested. The highest emission amplitudes relative to the appropriate limit were measured and recorded in this report.

*Note: Rhein Tech Laboratories, Inc. has implemented procedures to minimize errors that occur from test instruments, calibration, procedures, and test setups. Test instrument and calibration errors are documented from the manufacturer or calibration lab. Other errors have been defined and calculated within the Rhein Tech Quality Manual, Section 6.1. Rhein Tech implements the following procedures to minimize errors that may occur: yearly as well as daily calibration methods, technician training, and emphasis to employees on avoiding error.*

## 5.2 Radiated Emissions Test Data

**Table 5-1: Radiated Emissions – Mode RX**

Temperature: 69°F Humidity: 47%									
Emission Frequency (MHz)	Test Detector	Antenna Polarity (H/V)	Turntable Azimuth (deg)	Antenna Height (m)	Analyzer Reading (dBuV)	Site Correction Factor (dB/m)	Emission Level (dBuV/m)	Limit (dBuV/m)	Margin (dB)
60.004	Qp	V	0	1.0	54.4	-21.9	32.5	40.0	-7.5
64.010	Qp	V	0	1.5	46.4	-22.8	23.6	40.0	-16.4
68.011	Qp	V	0	1.0	46.5	-23.3	23.2	40.0	-16.8
76.013	Qp	V	180	1.5	41.2	-22.9	18.3	40.0	-21.7
120.004	Qp	V	0	1.0	34.6	-17.7	16.9	43.5	-26.6
414.161	Qp	H	180	1.0	36.7	-10.6	26.1	46.0	-19.9
420.871	Qp	H	225	1.0	37.4	-10.1	27.3	46.0	-18.7
424.152	Qp	V	180	1.5	40.4	-9.6	30.8	46.0	-15.2
464.210	Qp	H	0	1.0	32.7	-8.8	23.9	46.0	-22.1
828.322	Qp	H	180	1.0	34.3	-2.5	31.8	46.0	-14.2
841.742	Qp	H	225	1.0	32.4	-2.3	30.1	46.0	-15.9
848.304	Qp	V	0	1.0	33.8	-3.2	30.6	46.0	-15.4

Notes: All readings are quasi-peak, unless stated otherwise.  
 A low, middle, and high channel was checked for the frequency band.  
 Limit/Distance: FCC B/3M

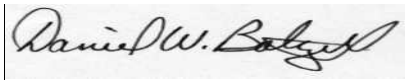
**Table 5-2: Equipment Used for Testing**

RTL Asset #	Manufacturer	Model	Part Type	Serial Number	Calibration Date
900897	Hewlett Packard	8567A	Spectrum Analyzer (10KHz-1.5GHz)	2727A00535	3/3/2007
901053	Schaffner & Chase	CBL6112B	Bilog Antenna (20 MHz - 2 GHz)	2648	9/20/06
901281	Rhein Tech Laboratories, Inc.	PR-1040	Pre Amplifier 40 dB (10 MHz – 2 GHz)	N/A	9/8/06
900901	Hewlett Packard	85650A	Quasi-Peak Adapter	2727A00535	3/3/2007

Test Personnel:

Typed Name: Daniel Baltzell

Signature:



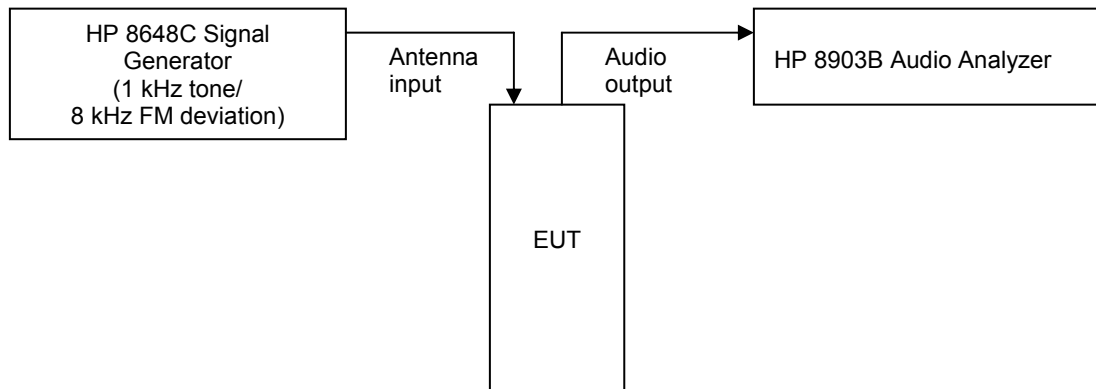
Date: March 10, 2006

## 6 FCC Rules and Regulations Part 15 §15.121(b) - 38 dB Rejection Test

A signal generator was connected to the receiver under test, and the output of the receiver was connected to an audio analyzer.

An FM signal was applied to the receiver antenna input with a 1 kHz tone modulated at 8 kHz deviation, and adjusted with the audio analyzer to produce a 12 dB SINAD. This was done across the receiver bands to determine a reference level. The reference level used was that with the highest sensitivity in all of the bands.

The output of the signal generator was then adjusted to a level 40 dB above the reference level established and set to a low, medium, and high frequency in both the mobile and base cellular bands: the mobile band being 824.04 MHz - 848.97 MHz, and the base band being 869.04 MHz - 893.97 MHz. The squelch of the receiver was then set to a minimum threshold level, and scanning begun from the lowest to the highest channel. Whenever the receiver stopped and “un-squelched”, that frequency was noted as a response. After all the frequencies of responses were noted, the signal generator was set to measure the sensitivity at each of these response frequencies. This measurement was the reference sensitivity for the particular received frequency measured. The audio analyzer measurement was used to measure the 12 dB SINAD, which is the spurious value. The difference between the reference sensitivity and the spurious value is the rejection ratio and must be at least 38 dB.



Frequencies used on the signal generator were 824.04, 836.50, and 848.97 MHz for the mobile band, and 869.04, 881.50, and 893.97 MHz for the base band.

The DR-435T MkIII unit reference level used was  $-70$  dBm from the signal generator. The DR-435T MkIII unit was scanned on all specified operating frequency ranges (per manufacturer's specifications.). Signals that were noted as responses were checked with the signal generator off. If they were still present, they were determined to be ambient signals and removed from the response list.

**No signals were detected for the 38 dB rejection test requirements.**

**6.1 38 dB Rejection Test Data for Base Band (869.040-893.970 MHz)**

**Table 6-1: 38 dB Rejection {Frequency Injected: 869.040 MHz} (Cellular Band)**

Frequency Injected: 869.040 MHz		Temperature: 77°F; Humidity: 33%		
Frequency Detected (MHz)	Level 12 dB SINAD at 869.040 MHz	Level 12 dB at Frequency Detected	Rejection	Margin
No Frequencies Detected	N/A	N/A	N/A	N/A

**Table 6-2: 38 dB Rejection {Frequency Injected: 881.500 MHz} (Cellular Band)**

Frequency Injected: 881.500 MHz		Temperature: 77°F; Humidity: 33%		
Frequency Detected (MHz)	Level 12 dB SINAD at 881.500 MHz	Level 12 dB at Frequency Detected	Rejection	Margin
No Frequencies Detected	N/A	N/A	N/A	N/A

**Table 6-3: 38 dB Rejection {Frequency Injected: 893.970 MHz} (Cellular Band)**

Frequency Injected: 893.970 MHz		Temperature: 77°F; Humidity: 33%		
Frequency Detected (MHz)	Level 12 dB SINAD at 893.970 MHz	Level 12 dB at Frequency Detected	Rejection	Margin
No Frequencies Detected	N/A	N/A	N/A	N/A

**6.2 38dB Rejection Test Data for Mobile Band (824.040-848.970 MHz)**

**Table 6-4: 38 dB Rejection {Frequency Injected: 824.040 MHz} (Mobile Band)**

Frequency Injected: 824.040 MHz		Temperature: 77°F; Humidity: 33%		
Frequency Detected (MHz)	Level 12 dB SINAD at 824.040 MHz	Level 12 dB at Frequency Detected	Rejection	Margin
No Frequencies Detected	N/A	N/A	N/A	N/A

**Table 6-5: 38 dB Rejection {Frequency Injected: 836.500 MHz} (Mobile Band)**

Frequency Injected: 836.505 MHz		Temperature: 77°F; Humidity: 33%		
Frequency Detected (MHz)	Level 12 dB SINAD at 836.500 MHz	Level 12 dB at Frequency Detected	Rejection	Margin
No Frequencies Detected	N/A	N/A	N/A	N/A

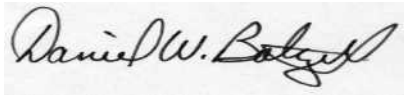
**Table 6-6: 38 dB Rejection {Frequency Injected: 848.970 MHz} (Mobile Band)**

Frequency Injected: 848.970 MHz		Temperature: 77°F; Humidity: 33%		
Frequency Detected (MHz)	Level 12 dB SINAD at 848.970 MHz	Level 12 dB at Frequency Detected	Rejection	Margin
No Frequencies Detected	N/A	N/A	N/A	N/A

**Table 6-7: Equipment Used for Testing**

RTL Asset #	Manufacturer	Model	Part Type	Serial Number	Calibration Date
900917	Hewlett Packard	8648B	Signal Generator	3537A01741	7/29/06
901067	Hewlett Packard	HP8903B	Audio Analyzer	2450A00135	5/13/06

Test Personnel:



Typed Name: Daniel Baltzell

Signature: \_\_\_\_\_

Date: February 14, 2006

## 7 Conclusion

The data in this measurement report shows that the Alinco Incorporated Model DR-435TMkIII, FCC ID: **PH3DR-435TMK3**, IC: 3070C-DR435MK3, complies with all applicable requirements of Parts 2 and 15.121 of the FCC Rules and Industry Canada RSS-215, Issue 1.