



Engineering and Testing for EMC and Safety Compliance

FCC CERTIFICATION TEST REPORT

WIDE BAND COMMUNICATIONS RECEIVER

MODEL: DJ-X7T
FCC ID: PH3DJ-X7T

Alinco Incorporated
Electronics Division
Shin-Dai Building 9F
2-6, 1-Chome, Dojimahama, Kita-ku
Osaka 530-0004 Japan

May 17, 2005

Standards Referenced for this Report	
Part 2: 2004	Frequency Allocations and Radio Treaty Matters; General Rules and Regulations
Part 15.121: 2004	Radio Frequency Devices; Scanning Receivers and Frequency Converters Used with Scanning Receivers
ANSI C63.4-2003	Standard Format Measurement/Technical Report Personal Computer and Peripherals
RSS-215; Issue 1 (Provisional)	Analogue Scanner Receivers

Frequency Range (MHz)	Output Power (W)	Frequency Tolerance	Emission Designator
0.100-1299.995 MHz	N/A	N/A	N/A

REPORT PREPARED BY:

Test Engineer: Daniel Biggs
Administrative Writer: Daniel Biggs

Rhein Tech Laboratories, Inc.

Document Number: 2005073

This report may not be reproduced, except in full, without the full written approval of Rhein Tech Laboratories, Inc.

TABLE OF CONTENTS

1	GENERAL INFORMATION.....	4
1.1	MODIFICATIONS.....	4
1.2	RELATED SUBMITTAL(S)/GRANT(S).....	4
1.3	TEST METHODOLOGY	4
1.4	TEST FACILITY	4
2	CONFORMANCE STATEMENT	5
3	SYSTEM TEST CONFIGURATION.....	6
3.1	JUSTIFICATION	6
3.2	EXERCISING THE EUT	6
3.3	TEST SYSTEM DETAILS.....	6
3.4	CONFIGURATION OF TESTED SYSTEM	7
4	CONDUCTED EMISSIONS.....	8
5	RADIATED EMISSIONS – FCC RULES AND REGULATIONS PART 15 §15.109 (A): RADIATED EMISSIONS LIMITS; RSS-215 SECTION 7 - RECEIVER SPURIOUS EMISSIONS	9
5.1	TEST METHODOLOGY FOR RADIATED EMISSIONS MEASUREMENTS	9
5.2	RADIATED EMISSION DATA.....	10
6	FCC RULES AND REGULATIONS PART 15 §15.121 (B) - 38 DB REJECTION TEST.....	12
6.1	38 DB REJECTION TEST DATA FOR BASE BAND (869.040-893.970 MHZ)	13
6.2	38DB REJECTION TEST DATA FOR MOBILE BAND (824.040-848.970 MHZ).....	14
7	CONCLUSION.....	15

TABLE INDEX

TABLE 3-1: EQUIPMENT UNDER TEST (EUT)	6
TABLE 5-1: RADIATED EMISSIONS – MODE RX	10
TABLE 5-2: EQUIPMENT USED FOR TESTING	11
TABLE 6-1: 38 DB REJECTION {FREQUENCY INJECTED: 869.040 MHZ} (CELLULAR BAND)	13
TABLE 6-2: 38 DB REJECTION {FREQUENCY INJECTED: 881.500 MHZ} (CELLULAR BAND)	13
TABLE 6-3: 38 DB REJECTION {FREQUENCY INJECTED: 893.970 MHZ} (CELLULAR BAND)	13
TABLE 6-4: 38 DB REJECTION {FREQUENCY INJECTED: 824.040 MHZ} (MOBILE BAND)	14
TABLE 6-5: 38 DB REJECTION {FREQUENCY INJECTED: 836.500 MHZ} (MOBILE BAND)	14
TABLE 6-6: 38 DB REJECTION {FREQUENCY INJECTED: 848.970 MHZ} (MOBILE BAND)	14
TABLE 6-7: EQUIPMENT USED FOR TESTING	14

APPENDIX INDEX

APPENDIX A: AGENCY AUTHORIZATION LETTER	16
APPENDIX B: CONFIDENTIALITY REQUEST LETTER	17
APPENDIX C: ATTESTATION LETTER	18
APPENDIX D: LABEL & LOCATION INFORMATION	19
APPENDIX E: PRODUCT DESCRIPTION	20
APPENDIX F: BLOCK DIAGRAM	21
APPENDIX G: SCHEMATICS	22
APPENDIX H: MANUAL	23
APPENDIX I: TEST CONFIGURATION PICTURES	24
APPENDIX J: EXTERNAL PHOTOGRAPHS	25
APPENDIX K: INTERNAL PHOTOGRAPHS	31

PHOTOGRAPH INDEX

PHOTOGRAPH 1: FCC ID LABEL AND WARNING LABEL AND LOCATION ON BACK OF EUT	19
PHOTOGRAPH 2: RADIATED EMISSIONS TEST CONFIGURATION - FRONT VIEW	24
PHOTOGRAPH 3: RADIATED EMISSIONS TEST CONFIGURATION - REAR VIEW	24
PHOTOGRAPH 4: FRONT OF EUT	25
PHOTOGRAPH 5: BACK OF EUT	25
PHOTOGRAPH 6: TOP OF EUT	26
PHOTOGRAPH 7: LEFT SIDE	26
PHOTOGRAPH 8: RIGHT SIDE	27
PHOTOGRAPH 9: AC ADAPTER/CHARGER	28
PHOTOGRAPH 10: LABEL ON AC ADAPTER/CHARGER	28
PHOTOGRAPH 11: LABEL ON BATTERY	29
PHOTOGRAPH 12: EARPIECE	29
PHOTOGRAPH 13: ANTENNA SMA CONNECTOR	30
PHOTOGRAPH 14: INSIDE FRONT COVER	31
PHOTOGRAPH 15: INSIDE FRONT COVER MAIN BOARD REMOVED	31
PHOTOGRAPH 16: BACK OF MAIN BOARD	32
PHOTOGRAPH 17: FRONT OF DISPLAY BOARD	32
PHOTOGRAPH 18: BACK OF DISPLAY BOARD AND MAIN BOARD	33
PHOTOGRAPH 19: BACK OF DISPLAY	33
PHOTOGRAPH 20: INSIDE BOTTOM FRONT COVER AND BACK OF MAIN BOARD	34
PHOTOGRAPH 21: INSIDE BACK COVER	34

1 GENERAL INFORMATION

The following application for FCC Certification of an analog scanning receiver is prepared on behalf of Alinco Incorporated; Electronics Division, in accordance with FCC Rules and Regulations Parts 2 and 15 and Industry Canada RSS-215. The Equipment Under Test (EUT) is Alinco Model DJ-X7T, FCC ID: PH3DJ-X7T. The test results reported in this document relate only to the item that was tested.

All measurements contained in this application were conducted in accordance with ANSI C63.4 Methods of Measurement of Radio Noise Emissions, 2003. The instrumentation utilized for the measurements conforms to the ANSI C63.4 standard for EMI and Field Strength Instrumentation. Some accessories are used to increase sensitivity and prevent overloading of the measuring instrument. Calibration checks are performed regularly on the instruments, and all accessories including the high pass filter, preamplifier and cables.

1.1 MODIFICATIONS

No modifications were made during testing.

1.2 RELATED SUBMITTAL(S)/GRANT(S)

This is an original certification submission.

1.3 TEST METHODOLOGY

Radiated testing was performed according to the procedures in ANSI C63.4 2003. Radiated testing was performed at an antenna-to-EUT distance of 3 meters.

1.4 TEST FACILITY

The open area test site and conducted measurement facility used to collect the radiated data is located on the parking lot of Rhein Tech Laboratories, 360 Herndon Parkway, Suite 1400, Herndon, Virginia 20170. This site has been fully described in a report, submitted to and approved by the Federal Communications Commission, to perform AC line conducted and radiated emissions testing (ANSI C63.4 2003).


2 CONFORMANCE STATEMENT

Standards Referenced for this Report	
Part 2: 2004	Frequency Allocations and Radio Treaty Matters; General Rules and Regulations
Part 15.121: 2004	Radio Frequency Devices; Scanning Receivers and Frequency Converters Used with Scanning Receivers
ANSI C63.4-2003	Standard Format Measurement/Technical Report Personal Computer and Peripherals
RSS-215; Issue 1 (Provisional)	Analogue Scanner Receivers

Frequency Range (MHz)	Output Power (W)	Frequency Tolerance	Emission Designator
0.100-1299.995 MHz	N/A	N/A	N/A

I, the undersigned, hereby declare that the equipment tested and referenced in this report conforms to the identified standard(s) as described above. No modifications were made to the equipment during testing in order to achieve compliance with these standards.


Furthermore, there was no deviation from, additions to, or exclusions from the ANSI C63.4 test methodology.

Signature: 

Date: May 17, 2005

Typed/Printed Name: Desmond A. Fraser

Position: President
(NVLAP Signatory)

 Accredited by the National Voluntary Accreditation Program for the specific scope of accreditation under Lab Code 20061-0.

Note: This report may not be used by the client to claim product endorsement by NVLAP or any agency of the U.S. Government.

3 SYSTEM TEST CONFIGURATION

3.1 JUSTIFICATION

To complete the test configuration required by the FCC, the receiver was connected to an external antenna, which receives a signal from a signal generator output. With the antenna installed, the receiver indicator was used to determine optimal reception. The EUT's intermediate frequencies (IF), local oscillators (LO), crystal oscillators and harmonics of each were investigated. Conducted emissions were measured from the AC port of the charger. All modes were investigated and tested, including standby mode and scanning mode. The final radiated data was taken with the EUT locked to a set frequency.

3.2 EXERCISING THE EUT

The DJ-X7T is a receiver designed to function at the following frequency range: 0.100 – 1300 MHz. A low, middle and high channel for AM, FM, and WFM bands were checked. In order to activate the receiver circuitry, a signal was transmitted from a signal generator. This allowed the EUT to function in its typical state throughout the course of all testing.

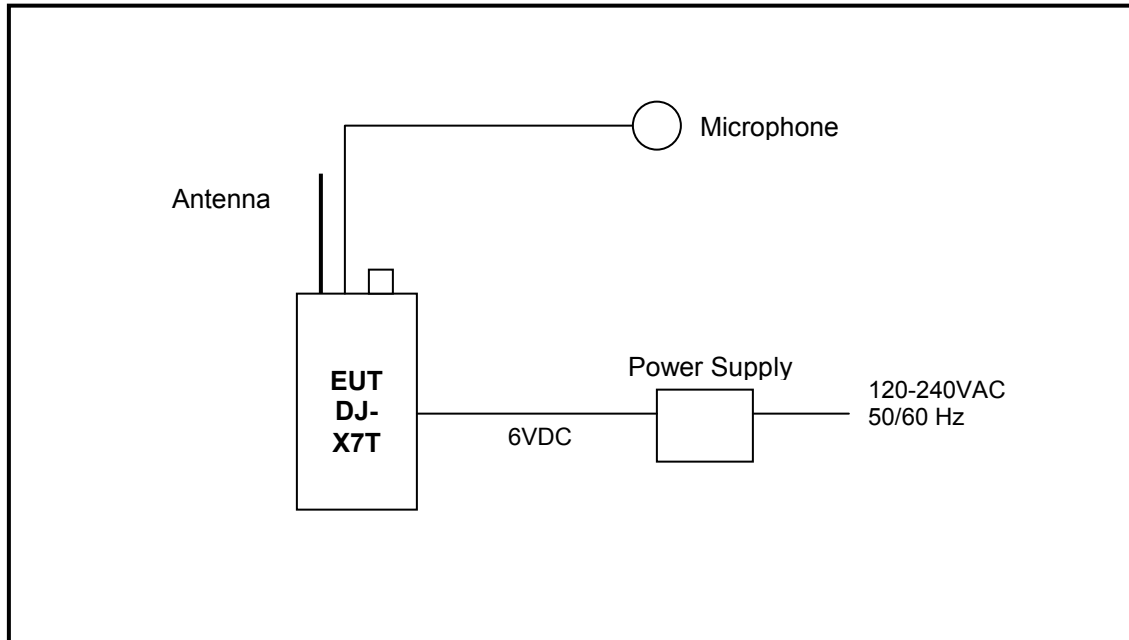
3.3 TEST SYSTEM DETAILS

The test sample was received on March 4, 2005. The FCC Identifiers for all equipment, plus descriptions of all cables used in the tested system are in the following table.

TABLE 3-1: EQUIPMENT UNDER TEST (EUT)

Part	Manufacturer	Model	Serial Number	FCC ID	Cable Description	RTL Bar Code
Wide band receiver	Alinco	DJ-X7T	M000497	PH3DJ-X7T	N/A	16637
Wide band receiver	Alinco	DJ-X7T	M000498	PH3DJ-X7T	N/A	16638
Earpiece	Alinco	Curl cable	N/A	N/A	unshielded I/O	16641
Antenna	Alinco	SMA whip	N/A	N/A	N/A	16639
AC adaptor/charger	Alinco	EDC-126	T12W0404003138	N/A	unshielded I/O	16553

3.4 CONFIGURATION OF TESTED SYSTEM



4 CONDUCTED EMISSIONS

AC conducted emissions testing is not required since the EUT is intended for automotive use and is not powered from the AC mains.

5 RADIATED EMISSIONS – FCC RULES AND REGULATIONS PART 15 §15.109 (A): RADIATED EMISSIONS LIMITS; RSS-215 SECTION 7 - RECEIVER SPURIOUS EMISSIONS

5.1 TEST METHODOLOGY FOR RADIATED EMISSIONS MEASUREMENTS

Before final measurements of radiated emissions were made on the open-field three/ten meter range, the EUT was scanned indoors at one meter and three meter distances, in order to determine its emissions spectrum signature. The physical arrangement of the test system and associated cabling was varied in order to determine the effect on the EUT's emissions in amplitude, direction, and frequency. This process was repeated during final radiated emissions measurements on the open-field range, at each frequency, in order to ensure that maximum emission amplitudes were attained.

Final radiated emissions measurements were made on the three meter, open-field test site. The EUT was placed on a nonconductive turntable approximately 0.8 meters above the ground plane. The spectrum was examined from 30 MHz to 1000 MHz using a spectrum analyzer, a quasi-peak adapter, and EMCO log periodic and biconical antenna. In order to gain sensitivity, a preamplifier was connected in series between the antenna and the input of the spectrum analyzer.

At each frequency, the EUT was rotated 360 degrees, and the antenna was raised and lowered from one to four meters in order to determine the maximum emission levels. Measurements were taken using both horizontal and vertical antenna polarizations. The spectrum analyzer's 6 dB bandwidth was set to 120 kHz, and the analyzer was operated in the CISPR quasi-peak detection mode. No video filter less than 10 times the resolution bandwidth was used. The second harmonic of the highest LO was tested. The highest emission amplitudes relative to the appropriate limit were measured and recorded in this report.

Note: Rhein Tech Laboratories, Inc. has implemented procedures to minimize errors that occur from test instruments, calibration, procedures, and test setups. Test instrument and calibration errors are documented from the manufacturer or calibration lab. Other errors have been defined and calculated within the Rhein Tech Quality Manual, Section 6.1. Rhein Tech implements the following procedures to minimize errors that may occur: yearly as well as daily calibration methods, technician training, and emphasis to employees on avoiding error.

5.2 RADIATED EMISSION DATA

TABLE 5-1: RADIATED EMISSIONS – MODE RX

Temperature: 61°F Humidity: 53%									
Emission Frequency (MHz)	Test Detector	Antenna Polarity (H/V)	Turntable Azimuth (deg)	Antenna Height (m)	Analyzer Reading (dBuV)	Site Correction Factor (dB/m)	Emission Level (dBuV/m)	Limit (dBuV/m)	Margin (dB)
204.800	Qp	V	180	1.0	43.2	-19.9	23.3	43.5	-20.2
225.000	Qp	H	350	1.5	42.3	-19.3	23.0	46.0	-23.0
233.256	Qp	H	350	1.0	52.8	-18.7	34.1	46.0	-11.9
233.256	Qp	V	0	1.5	53.9	-18.6	35.3	46.0	-10.7
244.050	Qp	H	350	1.2	35.6	-17.5	18.1	46.0	-27.9
258.960	Qp	H	350	1.5	37.1	-15.9	21.2	46.0	-24.8
273.950	Qp	H	350	1.2	38.6	-16.0	22.6	46.0	-23.4
321.970	Qp	H	0	1.0	35.3	-14.7	20.6	46.0	-25.4
351.850	Qp	H	350	1.3	38.4	-13.8	24.6	46.0	-21.4
379.949	Qp	H	350	1.0	33.0	-13.1	19.9	46.0	-26.1
379.949	Qp	V	180	1.0	31.5	-13.3	18.2	46.0	-27.8
398.950	Qp	H	0	1.0	33.4	-12.2	21.2	46.0	-24.8
398.950	Qp	V	180	1.0	33.4	-12.4	21.0	46.0	-25.0
409.600	Qp	H	345	1.0	34.9	-11.4	23.5	46.0	-22.5
417.949	Qp	V	180	1.0	33.5	-11.3	22.2	46.0	-23.8
468.950	Qp	H	0	1.0	37.9	-10.2	27.7	46.0	-18.3
498.025	Qp	H	250	1.3	35.7	-9.6	26.1	46.0	-19.9
513.025	Qp	H	180	1.0	35.8	-9.5	26.3	46.0	-19.7
513.025	Qp	V	0	1.0	37.8	-9.9	27.9	46.0	-18.1

Notes: All readings are quasi-peak, unless stated otherwise.

A low, middle, and high channel was checked for AM, FM and WFM frequency bands.

The preamplifier's gain is included in the site correction factor.

Limit/Distance: FCC B/3M

TABLE 5-2: EQUIPMENT USED FOR TESTING

RTL Asset #	Manufacturer	Model	Part Type	Serial Number	Calibration Date
900931	Hewlett Packard	8566B	Spectrum Analyzer (100 Hz - 22 GHz)	3138A07771	6/23/05
900930	Hewlett Packard	85662A	Spectrum Analyzer Display Section	3144A20839	6/23/05
901053	Schaffner & Chase	CBL6112B	Bilog Antenna (20 MHz - 2 GHz)	2648	9/20/05
*900905	Rhein Tech Laboratories, Inc.	PR-1040	Pre Amplifier 40 dB (10 MHz - 2 GHz)	1006	N/A
900969	Hewlett Packard	85650A	Quasi-Peak Adapter	2412A00414	6/23/05

Test Personnel:

Signature: 

Date: May 13, 2005

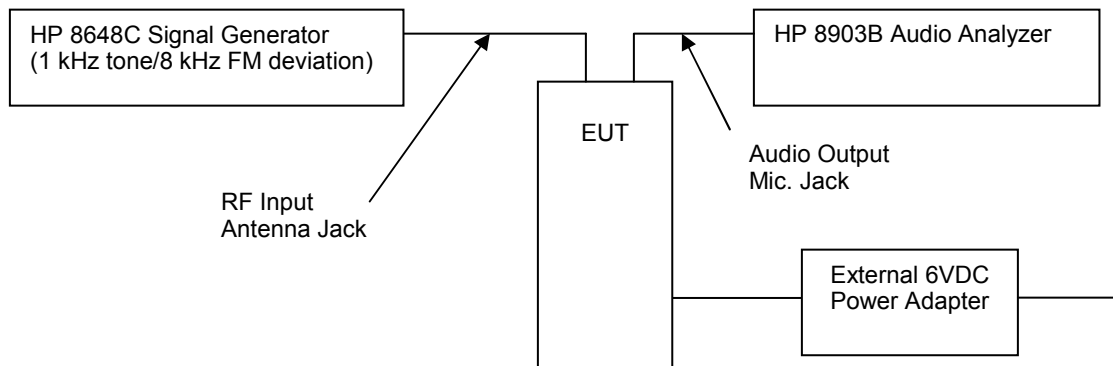
Typed Name: Daniel Biggs

6 FCC RULES AND REGULATIONS PART 15 §15.121 (B) - 38 DB REJECTION TEST

A signal generator was connected to the receiver under test, and the output of the receiver was connected to an audio analyzer.

An FM signal was applied to the receiver antenna input with a 1 kHz tone modulated at 8 kHz deviation, and adjusted with the audio analyzer to produce a 12 dB SINAD. This was done across the receiver bands to determine a reference level. The reference level used was that with the highest sensitivity in all of the bands.

The output of the signal generator was then adjusted to a level 40 dB above the reference level established and set to a low, medium, and high frequency in both the mobile and base cellular bands: the mobile band being 824.04 MHz - 848.97 MHz, and the base band being 869.04 MHz - 893.97 MHz. The squelch of the receiver was then set to a minimum threshold level, and scanning begun from the lowest to the highest channel. Whenever the receiver stopped and “un-squelched”, that frequency was noted as a response. After all the frequencies of responses were noted, the signal generator was set to measure the sensitivity at each of these response frequencies. This measurement was the reference sensitivity for the particular received frequency measured. The audio analyzer measurement was used to measure the 12 dB SINAD, which is the spurious value. The difference between the reference sensitivity and the spurious value is the rejection ratio and must be at least 38 dB.



Frequencies used on the signal generator were 824.04, 836.50, and 848.97 MHz for the mobile band, and 869.04, 881.50, and 893.97 MHz for the base band.

The DJ-X7T unit reference level used was -60 dBm from the signal generator. The DJ-X7TT unit was scanned on all specified operating frequency ranges (per manufacturer's specifications.). Signals that were noted as responses were checked with the signal generator off. If they were still present, they were determined to be ambient signals and removed from the response list.

No signals were detected for the 38 dB rejection test requirements.

6.1 38 DB REJECTION TEST DATA FOR BASE BAND (869.040-893.970 MHZ)

TABLE 6-1: 38 DB REJECTION {FREQUENCY INJECTED: 869.040 MHZ} (CELLULAR BAND)

Frequency Injected: 869.040 MHz		Temperature: 72°F; Humidity: 45%		
Frequency Detected (MHz)	Level 12 dB SINAD at 869.040 MHz	Level 12 dB at Frequency Detected	Rejection	Margin
No Frequencies Detected	N/A	N/A	N/A	N/A

TABLE 6-2: 38 DB REJECTION {FREQUENCY INJECTED: 881.500 MHZ} (CELLULAR BAND)

Frequency Injected: 881.500 MHz		Temperature: 72°F; Humidity: 45%%		
Frequency Detected (MHz)	Level 12 dB SINAD at 881.500 MHz	Level 12 dB at Frequency Detected	Rejection	Margin
No Frequencies Detected	N/A	N/A	N/A	N/A

TABLE 6-3: 38 DB REJECTION {FREQUENCY INJECTED: 893.970 MHZ} (CELLULAR BAND)

Frequency Injected: 893.970 MHz		Temperature: 72°F; Humidity: 45%		
Frequency Detected (MHz)	Level 12 dB SINAD at 893.970 MHz	Level 12 dB at Frequency Detected	Rejection	Margin
No Frequencies Detected	N/A	N/A	N/A	N/A

6.2 38DB REJECTION TEST DATA FOR MOBILE BAND (824.040-848.970 MHZ)

TABLE 6-4: 38 DB REJECTION {FREQUENCY INJECTED: 824.040 MHZ} (MOBILE BAND)

Frequency Injected: 824.040 MHz		Temperature: 72°F; Humidity: 45%		
Frequency Detected (MHz)	Level 12 dB SINAD at 824.040 MHz	Level 12 dB at Frequency Detected	Rejection	Margin
955.937	-99.8	-45.9	53.9	15.9

TABLE 6-5: 38 DB REJECTION {FREQUENCY INJECTED: 836.500 MHZ} (MOBILE BAND)

Frequency Injected: 836.505 MHz		Temperature: 72°F; Humidity: 45%		
Frequency Detected (MHz)	Level 12 dB SINAD at 836.500 MHz	Level 12 dB at Frequency Detected	Rejection	Margin
823.6	-99.5	-60.9	38.6	0.6

TABLE 6-6: 38 DB REJECTION {FREQUENCY INJECTED: 848.970 MHZ} (MOBILE BAND)

Frequency Injected: 848.970 MHz		Temperature: 72°F; Humidity: 45%		
Frequency Detected (MHz)	Level 12 dB SINAD at 848.970 MHz	Level 12 dB at Frequency Detected	Rejection	Margin
861.87	-99.6	-58.5	41.1	3.1

TABLE 6-7: EQUIPMENT USED FOR TESTING

RTL Asset #	Manufacturer	Model	Part Type	Serial Number	Calibration Date
900917	Hewlett Packard	8648B	Signal Generator	3537A01741	7/6/05
901013	Hewlett Packard	HP8903	Audio Analyzer	2717A02700	5/13/06

Test Personnel:

Signature: 

Date: May 17, 2005

Typed Name: Daniel Biggs

7 CONCLUSION

The data in this measurement report shows that the Alinco Incorporated Model DJ-X7T, FCC ID: **PH3DJ-X7T**, complies with all applicable requirements of Parts 2 and 15.121 of the FCC Rules and Industry Canada RSS-215, Issue 1.