

承 認 書

SPECIFICATION FOR APPROVAL

CKUSTOMER: ALINCO INTERATIONAL LTD.

PARTS NAME: RUBBER ANTENNA

MODEL NO. : EA0235

COUSTOMER P/N: _____

DATE: MAY - 11 - 2015

APPROVED BY:

--

SPECIFICATION FOR APPROVAL

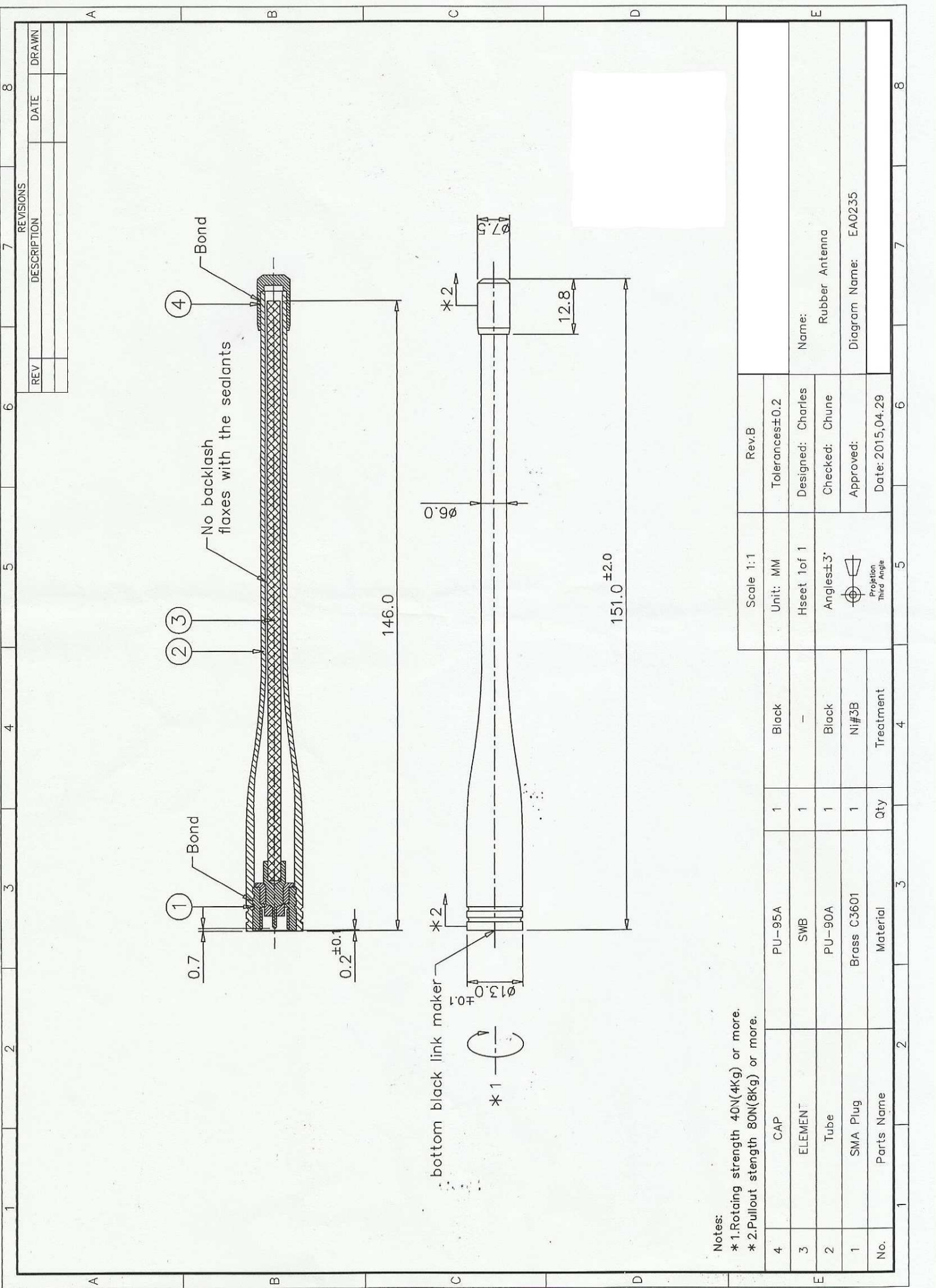
ELECTRICAL SPECIFICATIONS (USING A R3767CG NETWORK ANALYZER)

	ANTENNA TYPE	RUBBER ANTENNA
	TYPE NO.	EA0235
	FREQUENCY	485 MHz
	VSWR	≤ 3.0
	IMPEDANCE	50 Ω NOMINAL AFTER MATCHING

MECHANICAL SPECIFICATION:

	APPEARANCE	SEE FIG. 1
	LENGTH	151 mm
	WEIGHT	Approx: 18 g
	CONNECTOR TYPE	SMA
	ROTATING STRENGTH	4.0 KGS
	PULLING STRENGTH	8.0 KGS
	MEASUREMENT AGAINST VIBRATION	
	RoHS Compatible	

3		APPROVAL	CHECK	DWG		
2						
1						
SING	CHANGE DESCRIPTION DWG					



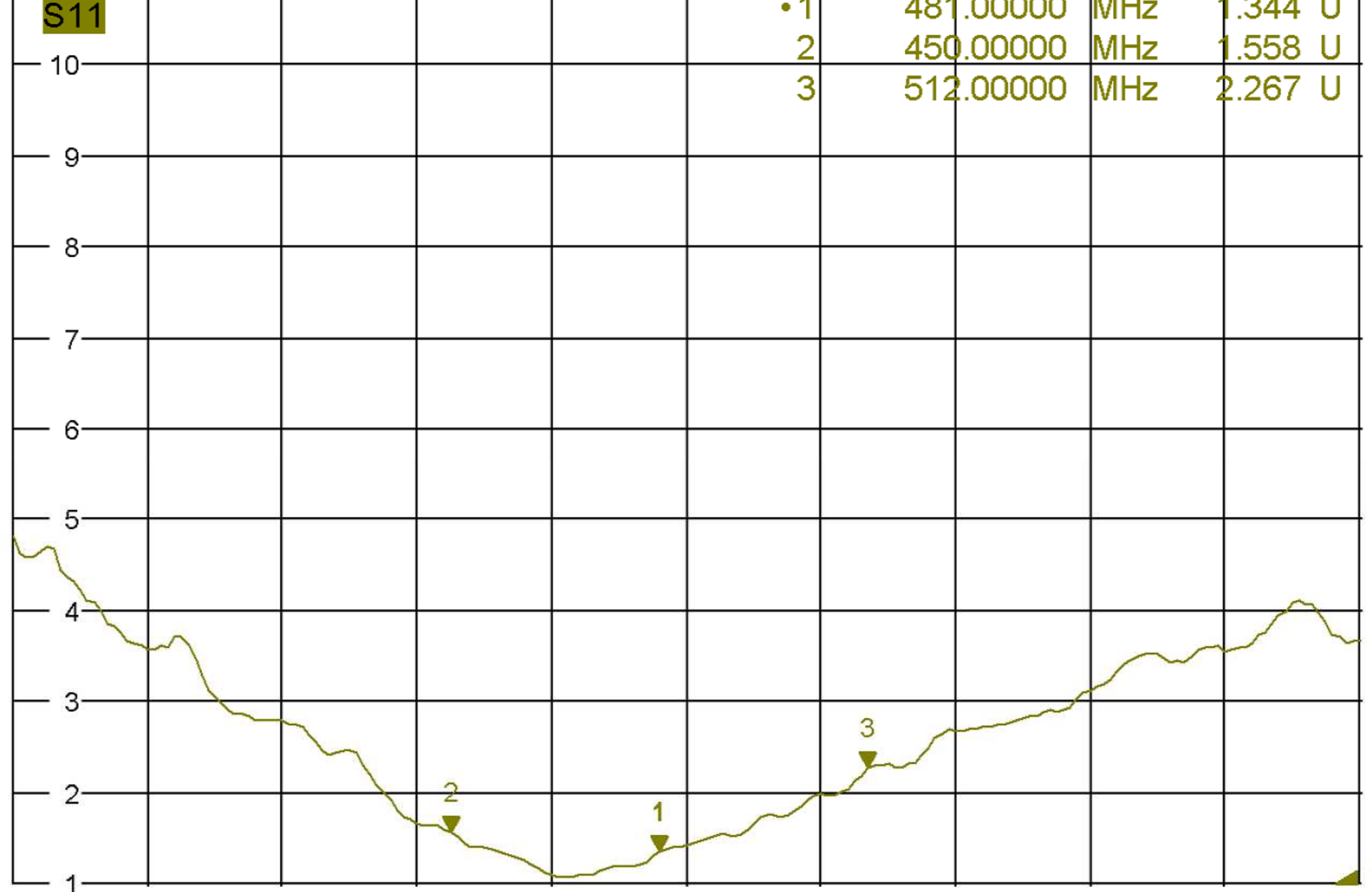
REV	DESCRIPTION	DATE	DRAWN

Notes:
 * 1. Rotating strength 40N(4Kg) or more.
 * 2. Pullout strength 80N(8Kg) or more.

No.	Parts Name	Material	Qty	Treatment	Scale 1:1	Rev.B
4	CAP	PU-95A	1	Black	Unit: MM	Tolerances ± 0.2
3	ELEMENT	SWB	1	-	Hsheet 1 of 1	Designed: Charles
2	Tube	PU-90A	1	Black	Angles ± 3°	Checked: Chune
1	SMA Plug	Brass C3601	1	Ni#3B	Projection Third Angle	Approved:
Name:		Rubber Antenna				
Diagram Name:		EA0235				
Date:		2015,04,29				

S11

• 1	481.00000	MHz	1.344	U
2	450.00000	MHz	1.558	U
3	512.00000	MHz	2.267	U



Ch1 Center 485 MHz Pwr -10 dBm Span 200 MHz