

Amendment to page 159: “WIRELESS” section of APPENDIX 4

WIRELESS

Create a wireless connection between your wireless router and your DIRECTV HD DVR, so your receiver can access the Internet.

For DIRECTV® Receivers up to and including the HR34, follow the instructions below.

For the HR44 Advanced Whole Home HD DVR, which has an integral wireless transceiver, see the section entitled “WIRELESS – HR44”.

DRAFT

Additional section for APPENDIX 4

WIRELESS – HR44

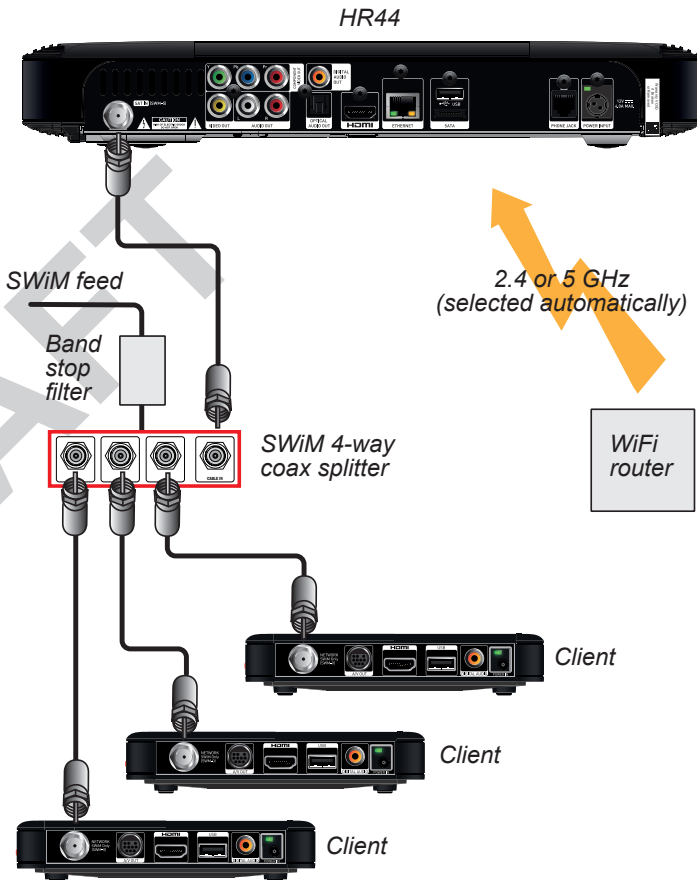
The HR44 Advanced Whole Home HD DVR has an integral wireless transceiver. You can therefore pair it with your existing wireless router, so that it is connected wirelessly to your existing broadband service to allow Video-on-Demand, callback service etc. It is used primarily for data transfer.

Connecting your HR44 to your wireless network

Starting from a TV picture, press **MENU** on your RC71 remote control.

Select **Settings and Help**, then **Settings**, then **Network Setup**, then **Connect Now**, then **Continue**.

The “Setup: Wireless Connection” screen appears.



Additional section for APPENDIX 4 (cont.)

If your WiFi router is suitable, you can connect using Push Button Setup (WPS); otherwise you can use Manual Setup, as described below.

Manual Setup

Select **Manual Setup**.

Your HR44 searches for wireless networks and lists them on the screen (this can take a minute or two).

Use the arrow buttons to move the blue dot to be next to the wireless network you want, then press **SELECT**.

Use the right arrow button to highlight **Continue**, then press **SELECT**.

Key in the passphrase that you use for your router.

Use the right arrow button to highlight **Continue**, then press **SELECT**.

The wireless connection between your wireless router and your DIRECTV® HR44 Advanced Whole Home HD DVR should now be active.

Select **Done** to complete the manual setup process.

