

8

7

6

5

4

3

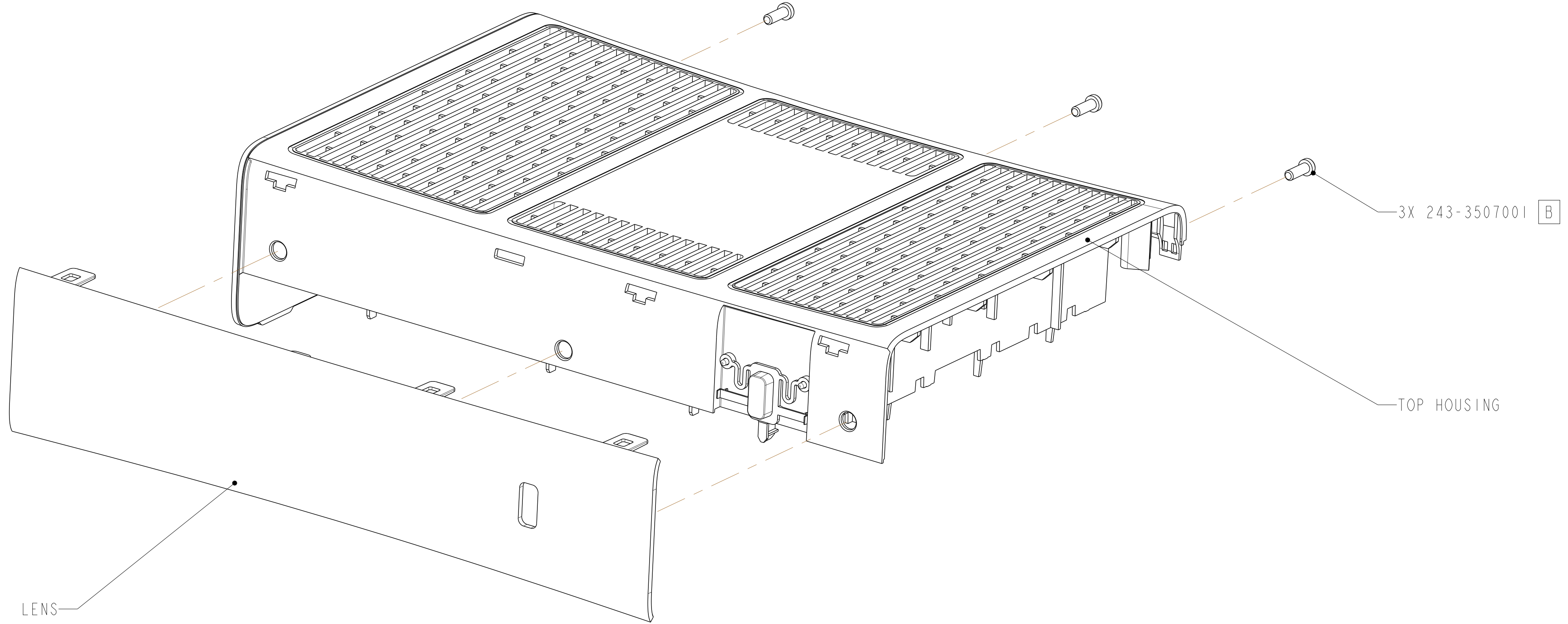
DRG. NO.	700-3315400	SHEET	1	REV	AA	REVISIONS		
REV.	DESCRIPTION			BY	DATE	D.E.	M.E.	
A	PRODUCTION RELEASE			DT	031414			
AA	ADDED SCREEN CAN PLACEMENTS			DT	032714			

D

C

B

A



3X 243-3507001 B

TOP HOUSING

LENS

6X 243T3507000 A

BATTERY SHIELD

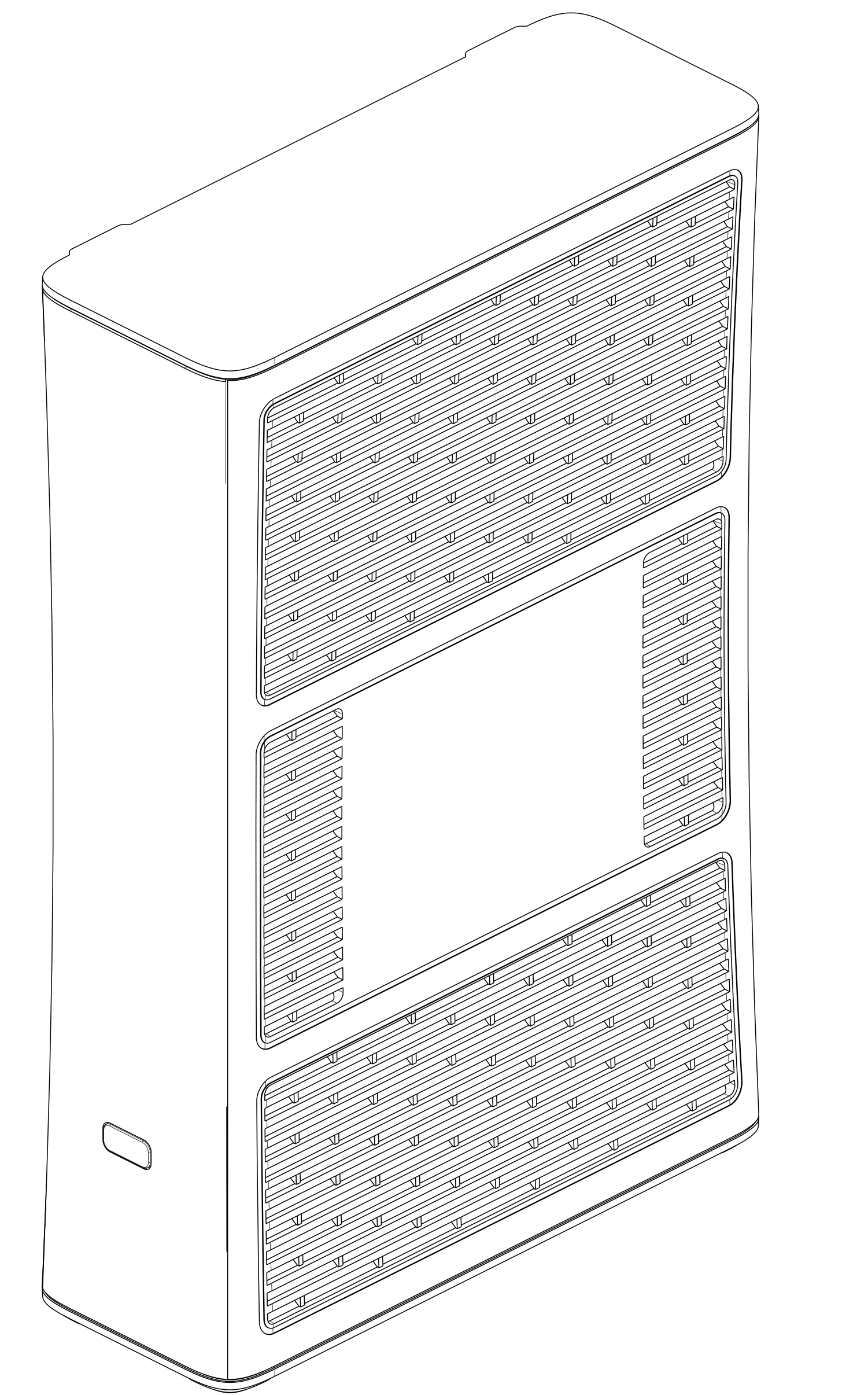
PCA

2X RIGHT FOOT INSERT

BOTTOM HOUSING

2X LEFT FOOT INSERT

BATTERY DOOR



REF	DESCRIPTION	TORQUE	PART NUMBER	QTY.
A	SCREW M3.5X7 MM, YELLOW	45-55 N/cm	243T3507000	6
B	SCREW M3.5X7MM, BLACK	45-55 N/cm	243-3507001	3

QTY PER VERSION	ITEM NO.	REF. DES.	PART OR IDENTIFYING NO.	NOMENCLATURE OR DESCRIPTION	MATL/SPEC
LIST OF MATERIALS					
UNLESS OTHERWISE SPECIFIED		APPROVALS		DATE	
DIMENSIONS ARE IN MM		DRAWN BY D. TRAN		031414	
TOLERANCES ARE:		DES. ENG.			
DECIMALS		MFG. ENG.			
.1 ± 0.1					
ANGLES ± 0.5°					
.XX ± 0.01					
MATERIAL		THIS DOCUMENT CONTAINS CONFIDENTIAL AND PROPRIETARY INFORMATION OF PACE AMERICAS, INC. THIS INFORMATION WHICH SHALL NOT BE REPRODUCED, TRANSFERRED TO OTHER DOCUMENTS, DISCLOSED TO OTHERS, USED FOR MANUFACTURING OR ANY OTHER PURPOSE WITHOUT THE PRIOR WRITTEN PERMISSION OF PACE AMERICAS, INCORPORATED.		 PACE AMERICAS INCORPORATED 1764 AUTOMATION PARKWAY SAN JOSE, CA 95131 USA	
FINISH		N/A		INSTR, ASSY, 5268AC PACE	
THIRD ANGLE PROJECTION		DO NOT SCALE DRAWING		SIZE D DRAWING NO. 700-3315400 REV AA	
		SCALE 1/1		SHEET 1 OF 2	

8

7

6

5

4

3

2

1

D

D

C

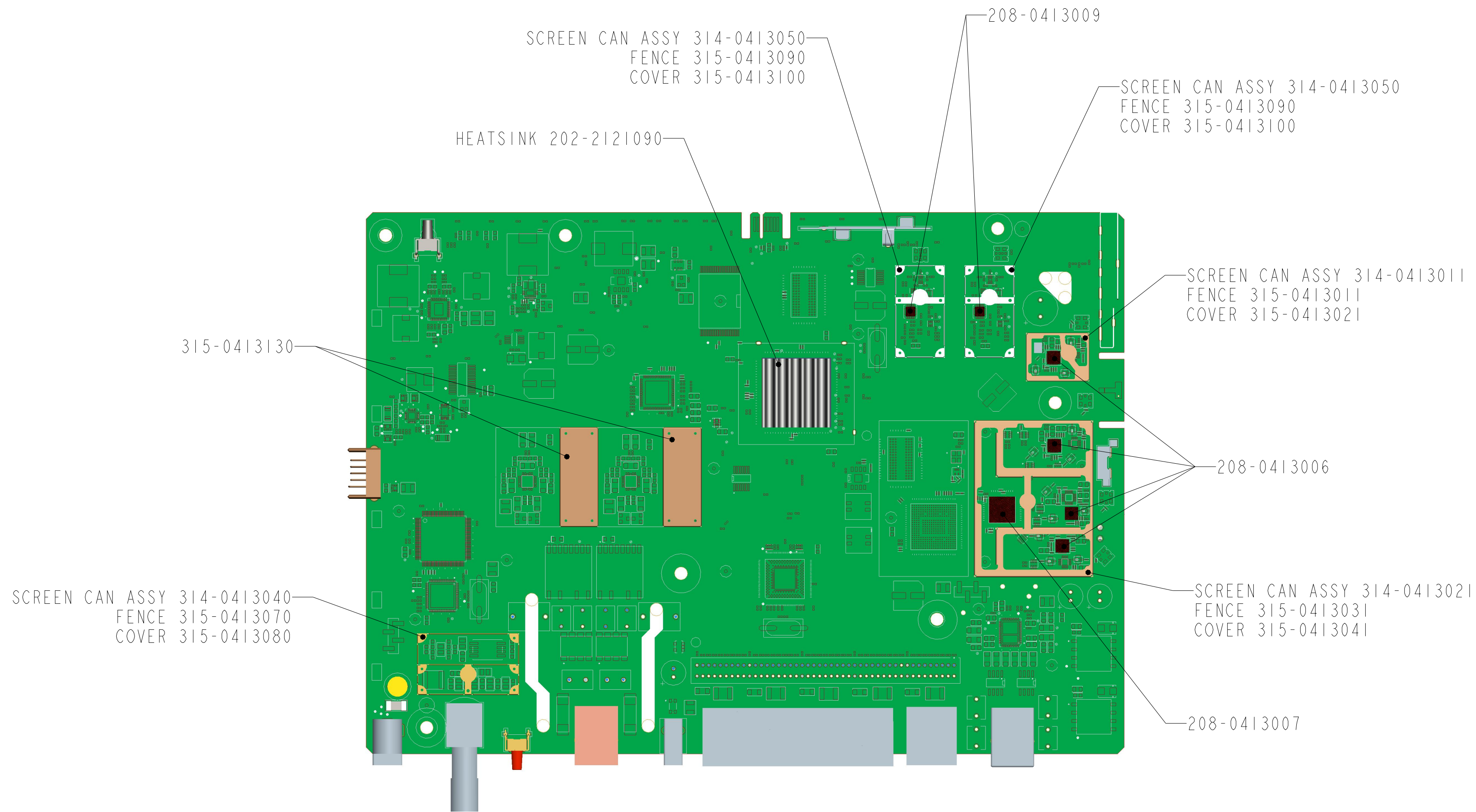
C

B

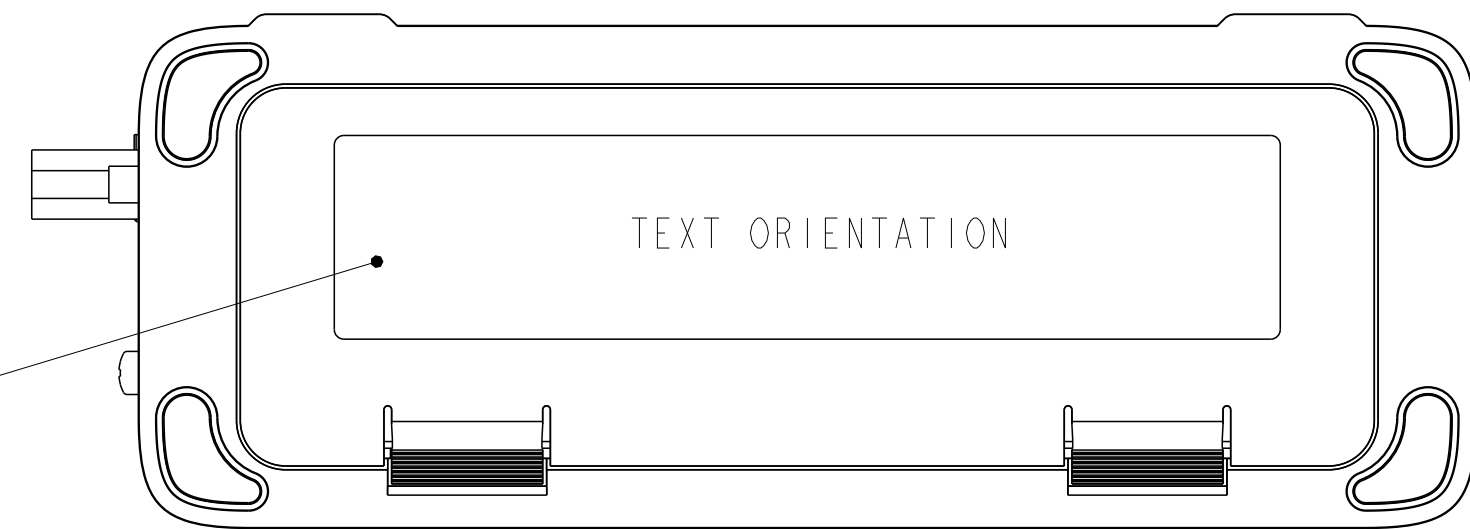
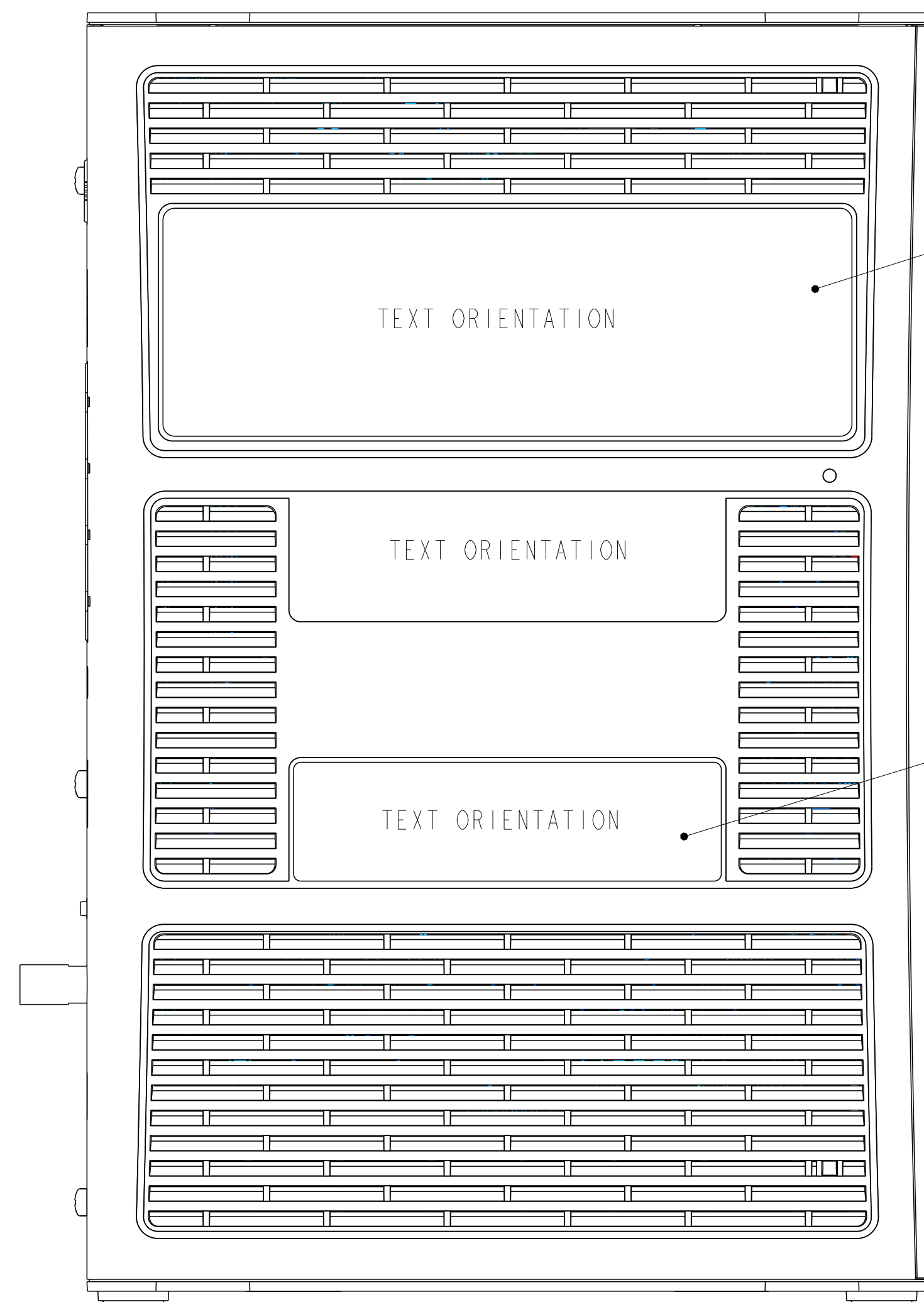
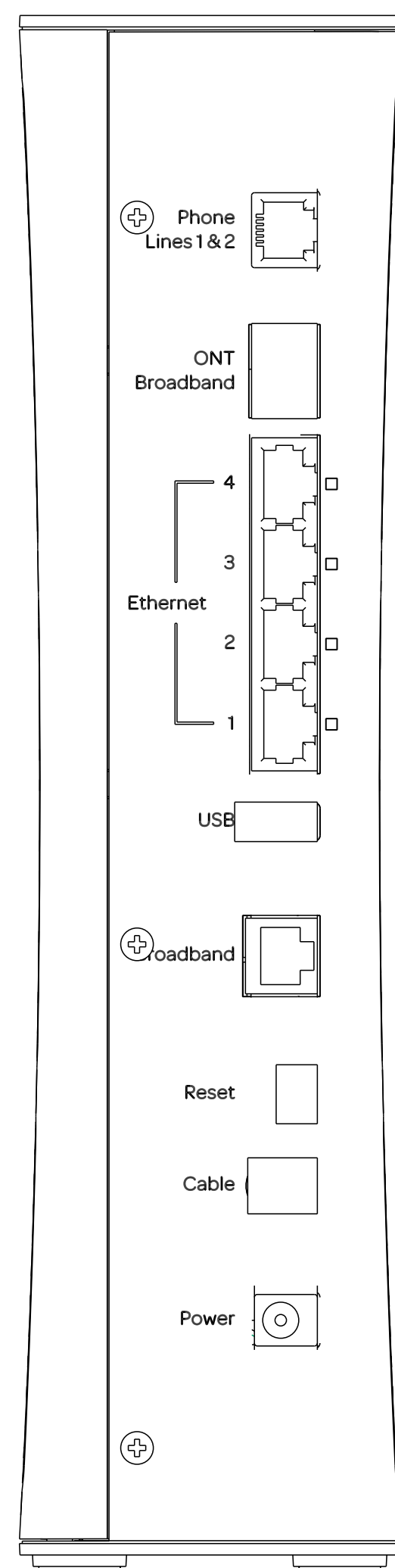
B

A

A



THERMAL PADS & SCREENING CANS LOCATIONS
 (ALL SCREENING CAN COVERS REMOVED FOR BETTER VIEW OF THERMAL PADS)



NOTES: UNLESS OTHERWISE SPECIFIED

1. ARTWORK ON LABELS MAY DIFFER FROM THAT SHOWN. NOTE TEXT ORIENTATION.

THIS DOCUMENT CONTAINS CONFIDENTIAL AND PROPRIETARY INFORMATION OF PACE AMERICAS, INC.. THIS INFORMATION WHICH SHALL NOT BE REPRODUCED, TRANSFERRED TO OTHER DOCUMENTS, DISCLOSED TO OTHERS, USED FOR MANUFACTURING OR ANY OTHER PURPOSE WITHOUT THE PRIOR WRITTEN PERMISSION CONSENT OF PACE AMERICAS, INCORPORATED

		PACE AMERICAS INCORPORATED 1764 AUTOMATION PARKWAY SAN JOSE, CA 95131 USA	
SIZE D	DRAWING NO. 700-3315400	REV. AA	SHEET 2 OF 2