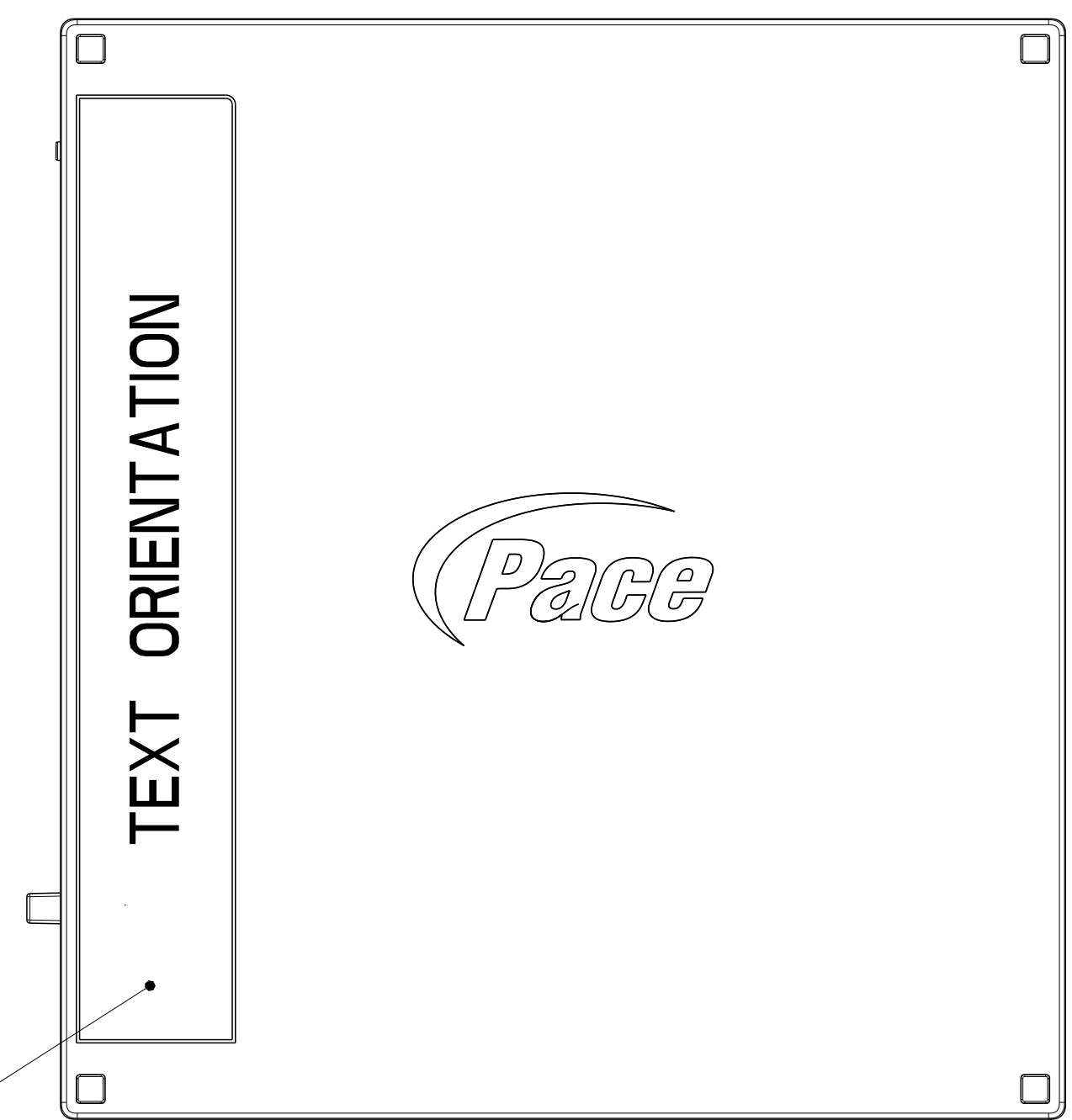
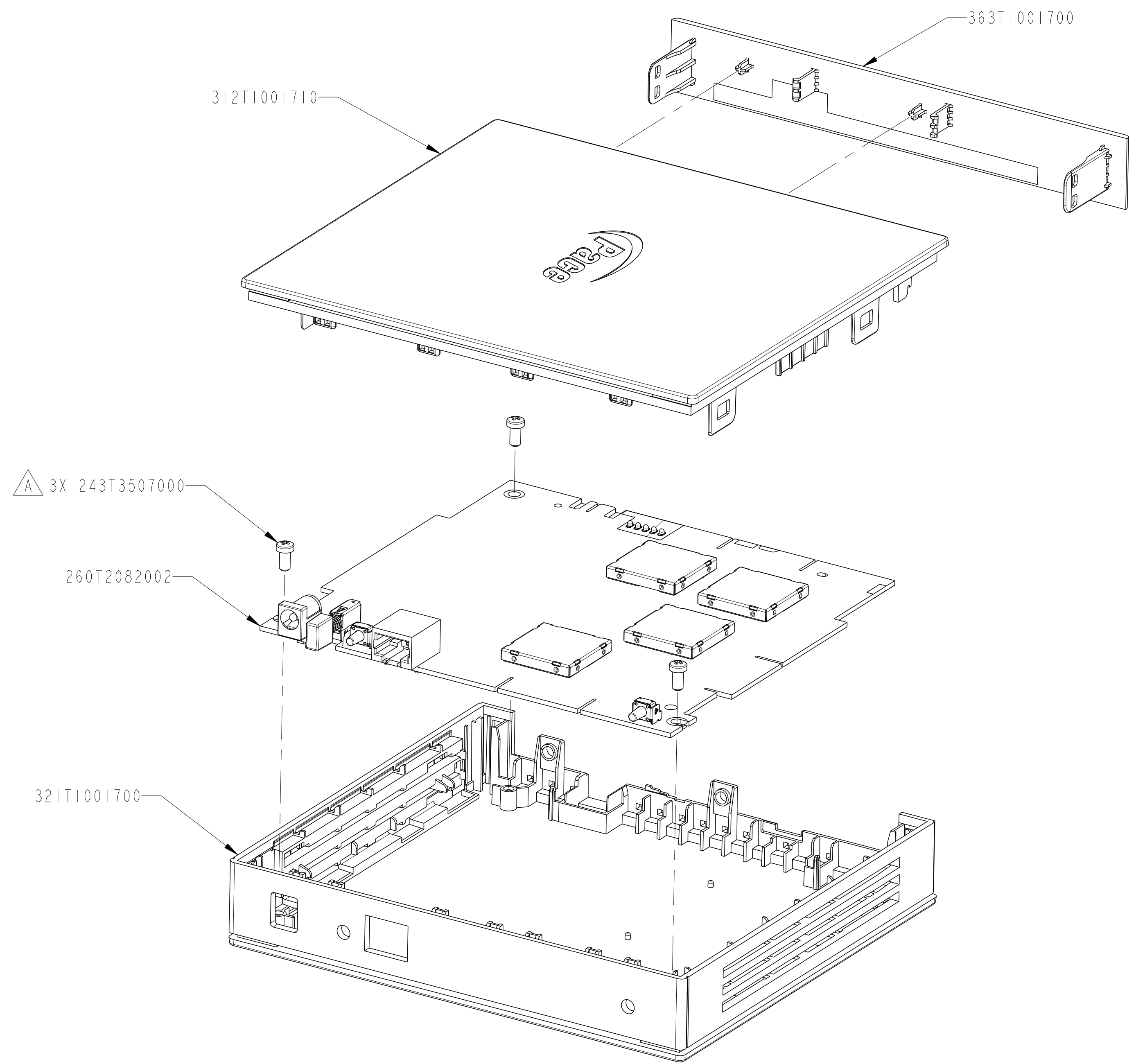


DWG. NO.	5200-001988-000	SHEET	1	REV	2	REVISIONS	
REV.		DESCRIPTION	BY	DATE	D.E.	M.E.	
1		PRODUCTION RELEASE	DT	101712			
2		REPLACED 260T2082001 W/260T2082002	DT	121112			



297T1001700
 (BOTTOM LABEL WITH REGULATORY MARKINGS)
 TEXT SHOWN FOR LABEL ORIENTATION ONLY
 ACTUAL LABEL TEXT MAY VARY

REF	DESCRIPTION	TORQUE	PART NUMBER	QTY.
A	SCREW M3.5X7 MM	45-55 N/cm	243T3507000	3

QTY PER VERSION	UNLESS OTHERWISE SPECIFIED	APPROVALS	DATE	 PACE AMERICAS INCORPORATED 1764 AUTOMATION PARKWAY SAN JOSE, CA 95131 USA
	DIMENSIONS ARE IN MM TOLERANCES ARE: DECIMALS: ± 0.1 ANGLES: ± 0.5° HOLE DIA: ± 0.01	DRAWN BY: D. TRAN DES. ENG. MFG. ENG.	101712	
THIS DOCUMENT CONTAINS CONFIDENTIAL AND PROPRIETARY INFORMATION OF PACE AMERICAS, INC. THIS INFORMATION WHICH SHALL NOT BE REPRODUCED, TRANSFERRED TO OTHER DOCUMENTS, DISCLOSED TO OTHERS, USED FOR MANUFACTURING OR ANY OTHER PURPOSE WITHOUT THE PRIOR WRITTEN PERMISSION OF PACE AMERICAS, INCORPORATED.				DWG, ASSY, 405 VIDEO BRIDGE, PACE
DO NOT SCALE DRAWING				
MATERIAL: N/A FINISH: N/A THIRD ANGLE PROJECTION		SIZE: D DRAWING NO.: 5200-001988-000 REV: 2		SCALE: 1/1 SHEET 1 OF 1