

ARRIS

NVG5X8AX 2.4GHz / 5GHz 802.11 WiFi module – Factory Installation guide

Product Summary

The NVG5X8AX module is a cost effective PCIe 2.4 / 5 GHz 802.11ax WiFi module designed to be incorporated into ARRIS NVG5x8 product line on behalf of or by ARRIS, and is not for sale or distribution as a standalone module.

This Module incorporates two Broadcom BCM43684 SoC 4x4 designs which is capable of supporting 802.11b/g/n/ac/ax modes. The modules utilises the Skyworks SKY85331-11 & SKY85743-21 Low noise Amplifiers and is designed for use in the USA and Canada.

The host system using this module, is required to have a label in a visible area indicated with the following text: "Contains FCC ID: PGR-NVG5XDBAX & IC: 3439B-NVG5XDBAX"

Refer to ARRIS FINAL ASSEMBLY,NVG578, GPON,10G,11AC DUALBAND, WIRELESS VOICE GATEWAY – Drawing Number 613441 (shown below)

FCC Warning: Changes or modifications to this unit not expressly approved by the party responsible for compliance could void the user's authority to operate the equipment.

This device complies with Part 15 of the FCC Rules. Operation is subject to the following two conditions:

(1) This device may not cause harmful interference, and (2) This device must accept any interference received, including interference that may cause undesired operation.

This device has been FCC certified as a module limited to installations into and intended solely for use in ARRIS products. ARRIS will retain control over the final installation of the device, such that compliance in final products is assured.

MPE/RF Exposure Information: The manual for the end product should caution the user to maintain a minimum distance of 30 cm between the radiator and their body and not operate the product next to other products with RF transmitters

H
G
F
E
D
C
B
A

NOTES: UNLESS OTHERWISE SPECIFIED

- WORKMANSHIP SHALL BE IN ACCORDANCE WITH THE LATEST REVISION OF ARRIS SPECIFICATION 475497-003.
- FOR NEXT ASSEMBLY AND USED-ON APPLICATION, REFER TO LATEST APPROPRIATE ARRIS DATABASE.

3 TORQUE ITEM 12 TO 4-6 IN-LBS.

4 TORQUE ITEM 14 TO 8-10 IN-LBS.

5 TORQUE ITEM 15 TO 8-10 IN-LBS.

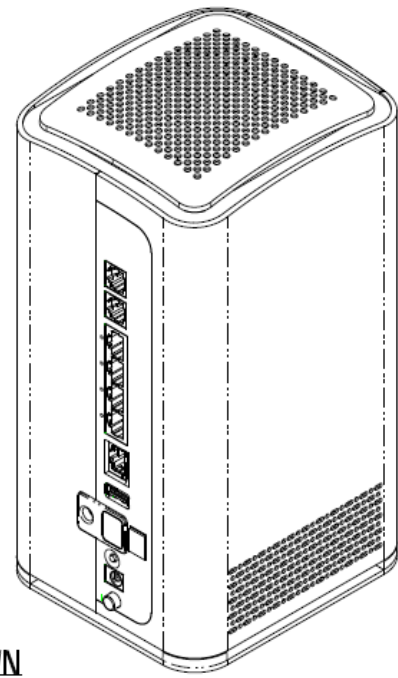
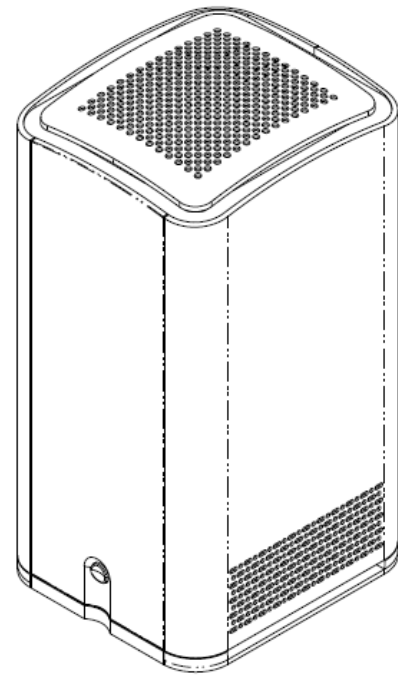
6. THIS DOCUMENT IS THE PROPERTY OF ARRIS ENTERPRISES, LLC. THIS DOCUMENT MAY ONLY BE DISTRIBUTED TO: (I) AN ARRIS PARTY HAVING A LEGITIMATE BUSINESS NEED FOR THE INFORMATION CONTAINED HEREIN, OR (II) A NON-ARRIS PARTY HAVING A LEGITIMATE BUSINESS NEED FOR THE INFORMATION CONTAINED HEREIN. NO LICENSE, EXPRESSED OR IMPLIED, UNDER ANY PATENT, COPYRIGHT OR TRADE SECRET RIGHT IS GRANTED OR IMPLIED BY THE CONVEYANCE OF THIS DOCUMENT. NO PART OF THIS DOCUMENT MAY BE REPRODUCED, TRANSMITTED, TRANSCRIBED, STORED IN A RETRIEVAL SYSTEM, TRANSLATED INTO ANY LANGUAGE OR COMPUTER LANGUAGE, IN ANY FORM OR BY ANY MEANS, ELECTRONIC, MECHANICAL, MAGNETIC, OPTICAL, CHEMICAL, MANUAL, OR OTHERWISE WITHOUT THE PRIOR WRITTEN PERMISSION OF ARRIS ENTERPRISES, LLC. (SEE DOCUMENT SECURITY STANDARD, 320190-000 FOR DETAILS.)

ARRIS AND THE ARRIS LOGO ARE TRADEMARKS OF ARRIS INTERNATIONAL PLC, AND/OR ITS AFFILIATES. ALL OTHER TRADEMARKS ARE THE PROPERTY OF THEIR RESPECTIVE OWNERS. © 2018 ARRIS ENTERPRISES, LLC. ALL RIGHTS RESERVED.

7. ARRIS CONTROLLED AND REPORTABLE MATERIALS DISCLOSURE

PRIOR TO PART QUALIFICATION, SUPPLIER MUST PROVIDE ALL REQUIRED INFORMATION TO MEET THE APPROPRIATE ACCEPTANCE CRITERIA IN ACCORDANCE WITH ENVIRONMENTAL REGULATIONS FOR BANNED AND CONTROLLED SUBSTANCES AS OUTLINED IN THE ARRIS CORPORATE SUPPLY AGREEMENT AND PURCHASE ORDER TERMS AND CONDITIONS.

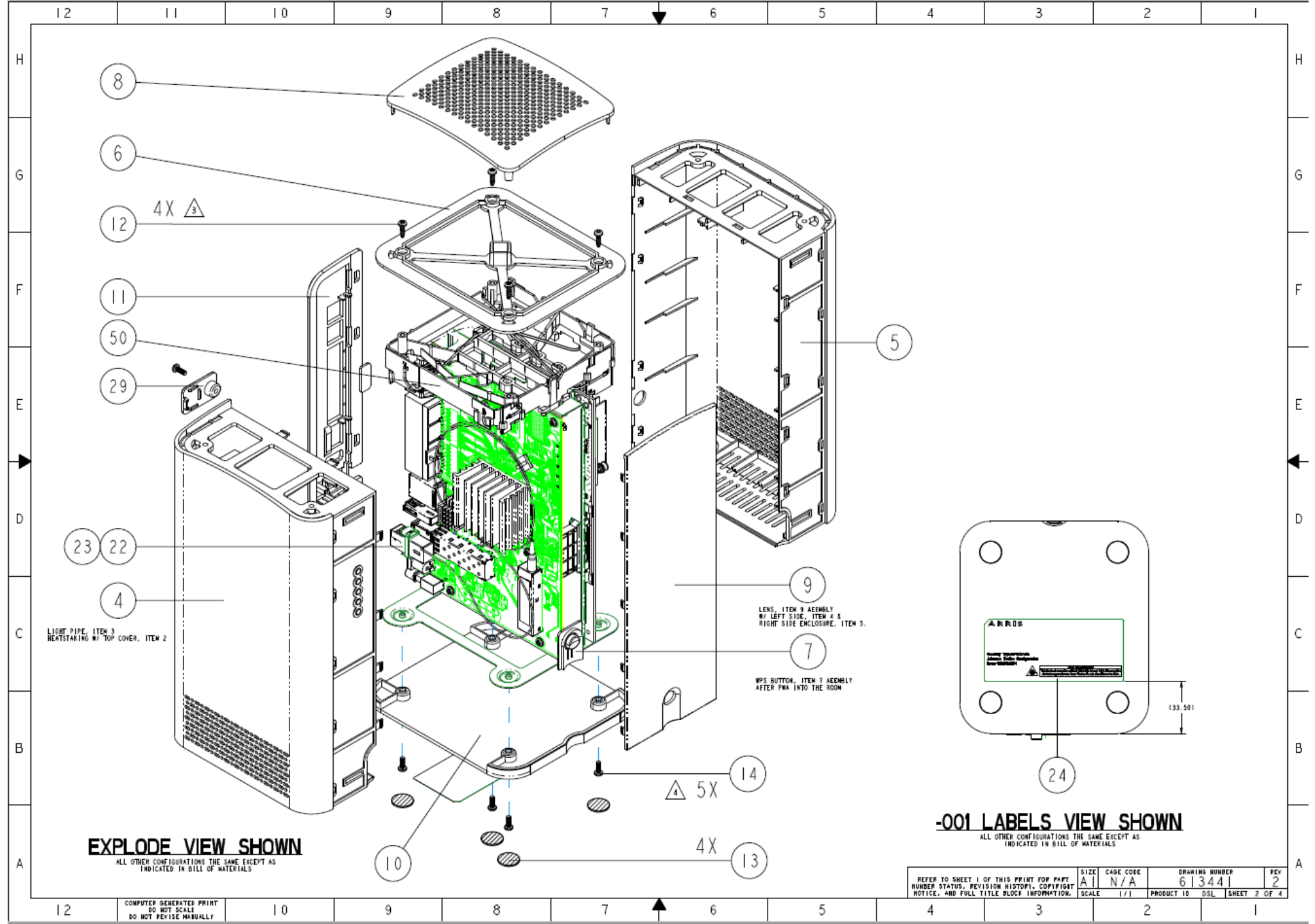
REVISION HISTORY - ALL SHEETS ARE THE SAME REVISION STATUS			
REV	ZONE	DESCRIPTION	ECH MEMO
1	ZONE	ENGINEERING RELEASE.	EAR-04600 15/08/2018 LEO WU
2	SH4 EB	ADD ITEM 21 ON THE MIDDLE BRACKET TO SECURE THE 2.4G COAXIAL CABLES.	EAR-04743 10/09/2018 LEO WU



-001 SHOWN
VIEW IS FOR REFERENCE ONLY
SCALE: NONE

© 2018 ARRIS Enterprises LLC. ALL RIGHTS RESERVED. INFORMATION CONTAINED ON ALL SHEETS OF THIS DRAWING CANNOT BE REPRODUCED OR USED, IN WHOLE OR IN PART, WITHOUT THE CONSENT OF ARRIS. THIS NOTICE DOES NOT IMPLY PUBLICATION.		DESIGNED BY LEO WU DRAWN BY LEO WU APPROVED BY W. FONG	ARRIS ARRIS International pic TITLE FINAL ASSEMBLY, NVG578, GPON, 10G, 11AC DUALBAND, WIRELESS VOICE GATEWAY	
THIRD ANGLE PROJECTION 	N/A	SIZE A	CASE CODE N/A	DRAWING NUMBER 613441
N/A	N/A	SCALE	1/1	PRODUCT ID DSL
				SHEET 1 OF 4 REV 2

COMPUTER GENERATED PRINT
DO NOT SCALE
DO NOT REVISE MANUALLY



12 11 10 9 8 7 6 5 4 3 2 1

H
G
F
E
D
C
B
A

H
G
F
E
D
C
B
A

8

6

12

11

50

29

23 22

4

LIGHT PIPE, ITEM 3
HEATSHIELDING W/ TOP COVER, ITEM 2

EXPLODE VIEW SHOWN

ALL OTHER CONFIGURATIONS THE SAME EXCEPT AS
INDICATED IN BILL OF MATERIALS

4X

5X

4X

14

13

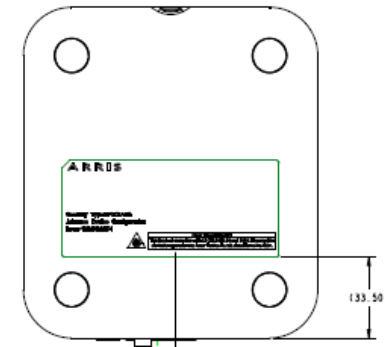
9

LENS, ITEM 9 ASSEMBLY
W/ LEFT SIDE, ITEM 4 &
RIGHT SIDE ENCLOSURE, ITEM 5.

7

WPS BUTTON, ITEM 7 ASSEMBLY
AFTER PWA INTO THE ROOM

5



24

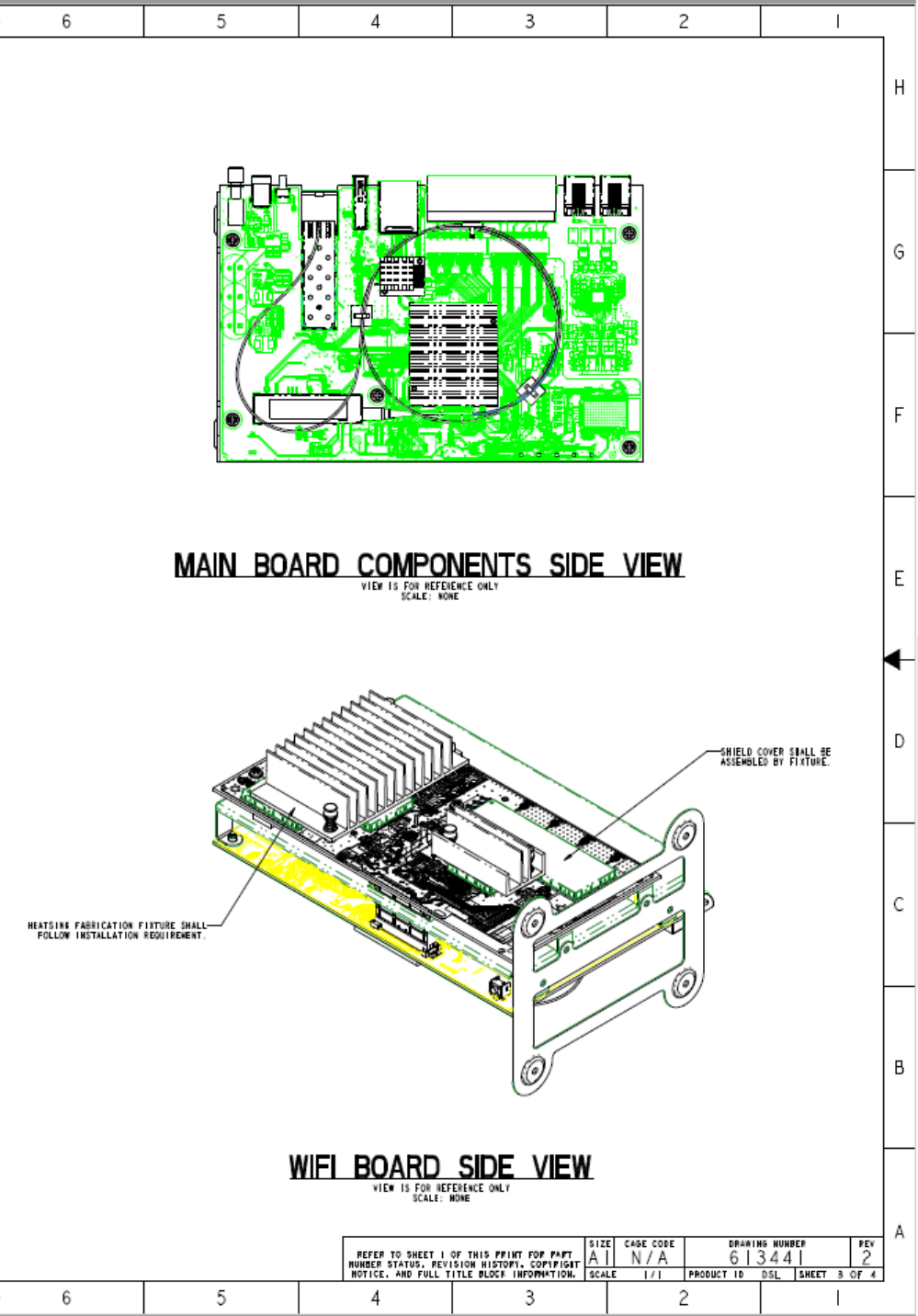
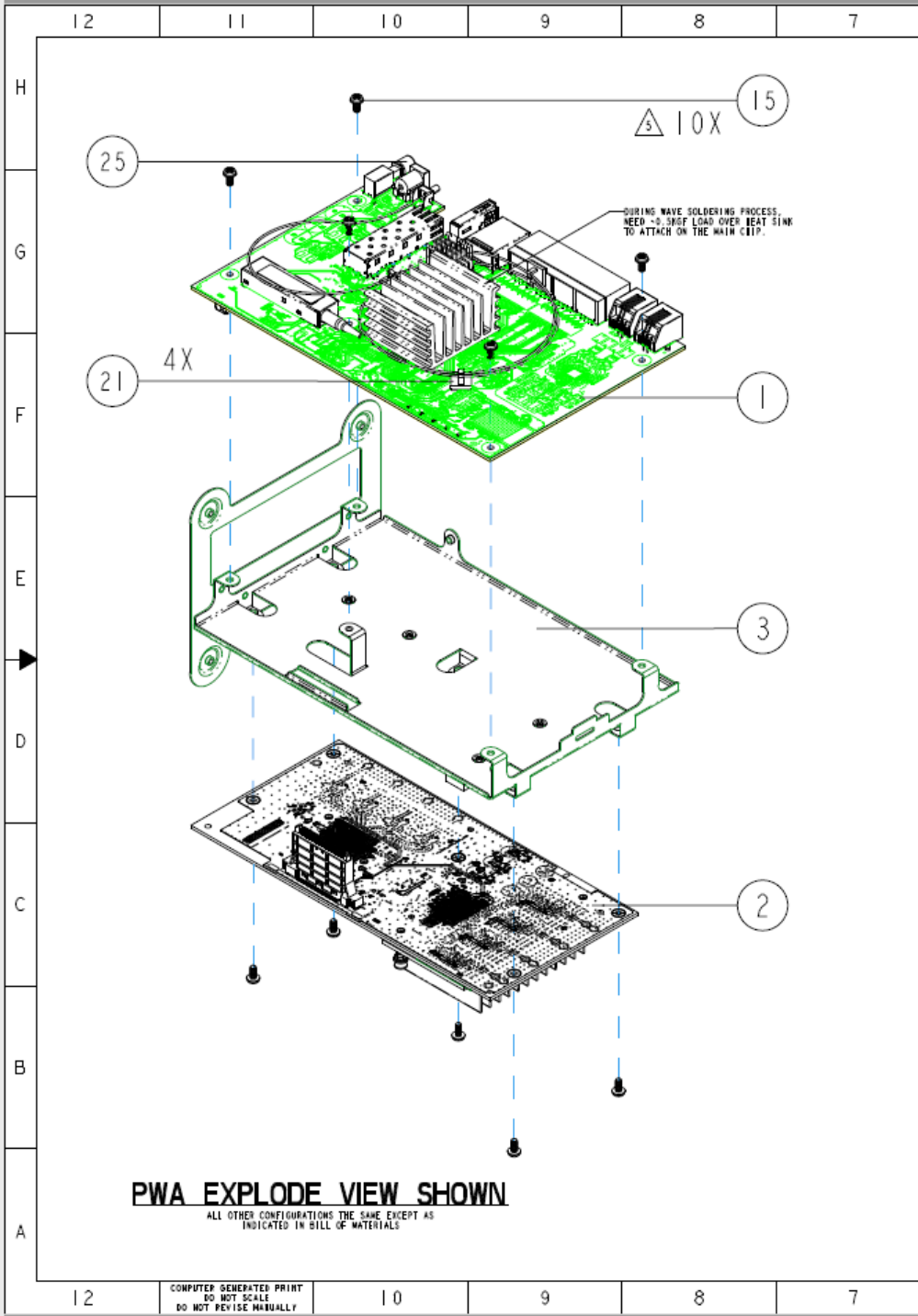
-001 LABELS VIEW SHOWN

ALL OTHER CONFIGURATIONS THE SAME EXCEPT AS
INDICATED IN BILL OF MATERIALS

REFER TO SHEET 1 OF THIS PRINT FOR PART NUMBER STATUS, REVISION HISTORY, COPYRIGHT NOTICE, AND FULL TITLE BLOCK INFORMATION.	SIZE A	CASE CODE N/A	DRAWING NUMBER 613441	REV 2
	SCALE 1/1	PRODUCT ID DSL	SHEET 2 OF 4	

12 11 10 9 8 7 6 5 4 3 2 1

COMPUTER GENERATED PRINT
DO NOT SCALE
DO NOT REVISE MANUALLY



REFER TO SHEET 1 OF THIS PRINT FOR PART NUMBER STATUS, REVISION HISTORY, COPYRIGHT NOTICE, AND FULL TITLE BLOCK INFORMATION.	SIZE A1	CAGE CODE N/A	DRAWING NUMBER 613441	REV 2
	SCALE 1/1	PRODUCT ID DSL	SHEET 3 OF 4	

